

3 Fifth wheel couplings and mounting plates

Fifth wheel couplings are fitted to a tractor unit to connect it to the trailer.

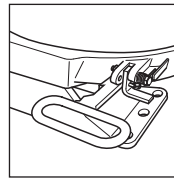
Fifth wheel couplings are vehicle attaching parts that are subject to mandatory design approval and on which the highest safety requirements are placed. We can supply a suitable fifth wheel coupling for all applications, thus always guaranteeing a safe and secure link between the tractor and trailer.

When mounting, using, converting or exchanging our fifth wheel couplings, the vehicle manufacturer's notes, JOST instructions for mounting and use, and the relevant national regulations must be observed. In Germany these are §§19, 20, 21, 27 of the "StVZO" Motor Vehicle Safety Standards.

The JSK 42 is available with a large selection of pedestals in all common heights and with all common hole patterns for plate and frame assembly. Depending on the model and height, it is possible to reduce the weight by 30 to 60 kg. This fifth-wheel coupling is also exceptionally easy to operate: the convenient handle enables you to release the lock and open the JSK 42 with one hand.

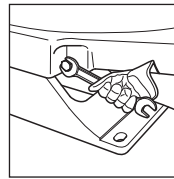
Design / features

JOST fifth wheel couplings fulfil the most stringent requirements in terms of safety, simple operation and ease of servicing. This results in the following benefits:



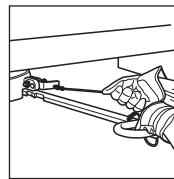
Safety

- High level of operating reliability
- Can be used in complicated loading conditions
- Automatic latch arrangement
- Only a visual inspection is required to ensure proper engagement
- Protection against unauthorised opening is possible using a padlock



Ease of servicing

- Infinite adjustment of the locking mechanism, thus resulting in lower wear
- Wearing ring is easy to replace
- Easily replaceable top plate liners
- Wearing parts can be replaced without having to remove the fifth wheel



Simple operation

- Long, easy-reach handle
- The operator does not get dirty
- The latch is released using a cable
- JSK 42: Single hand operation without latch and cable

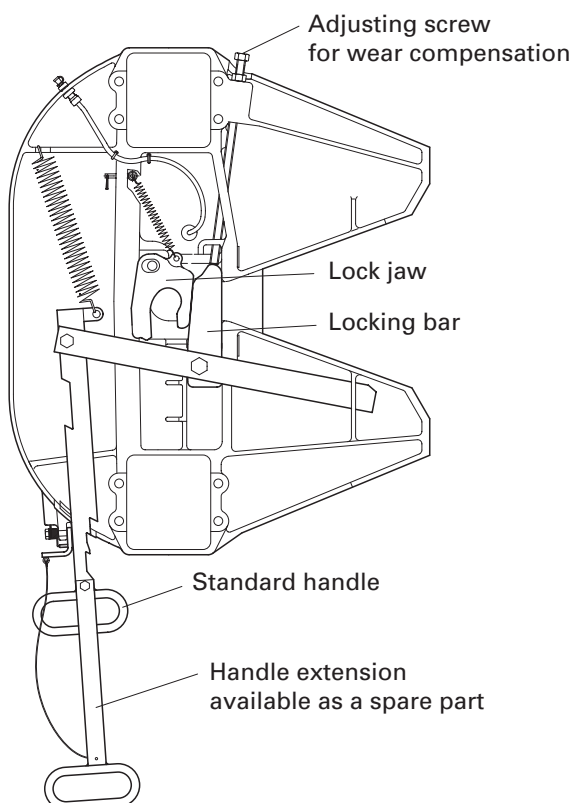
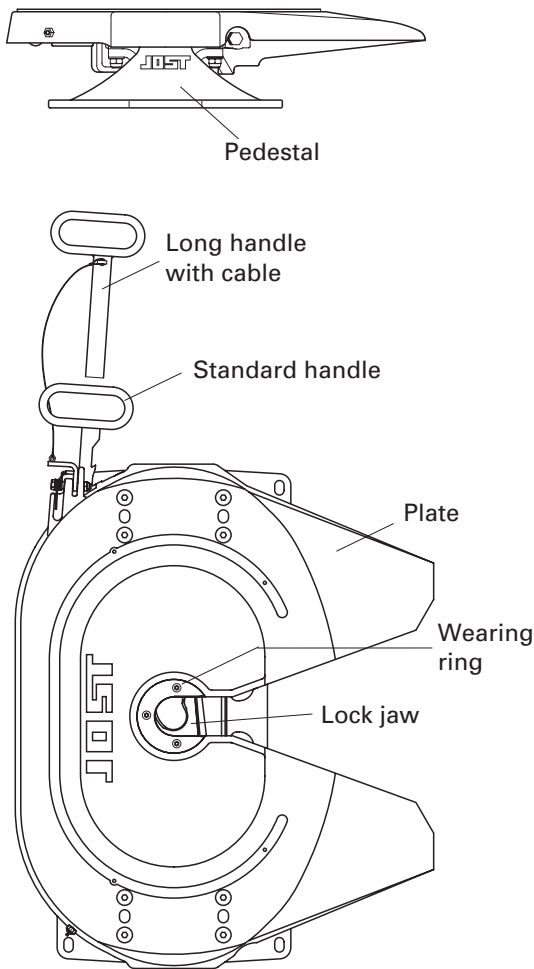
Range of application

JOST fifth wheel couplings are approved for all trailer coupling systems. The following diagram gives an overview of the various models available with imposed loads from 6 t to 50 t.

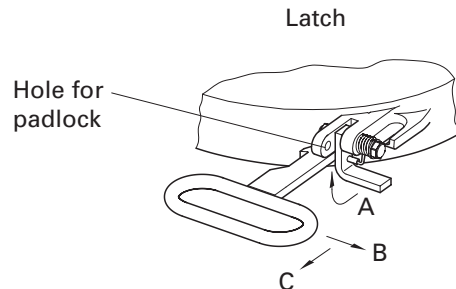
Series	Imposed load (t)
JSK 26	6
JSK 37 ME140	15
JSK 36 D JSK 37 JSK 42	20
JSK 38-2"	28
JSK 38-3 1/2"	36
JSK 50	50

Fitting and component parts

The illustrations shows the basic design of a JOST fifth wheel coupling.

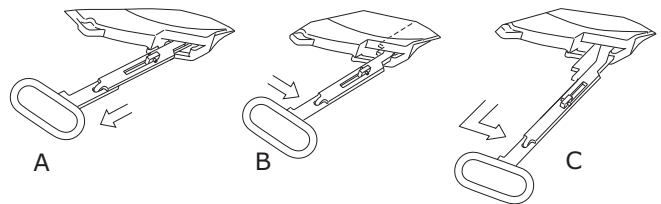


Fifth wheel couplings are connection devices for use on tractor units. An automatically closing and locking hitch connects the fifth wheel king pin of the semitrailer when coupling it up with the tractor unit. The automatic latch arrangement locks the handle in place and indicates that the tractor and trailer are correctly attached.



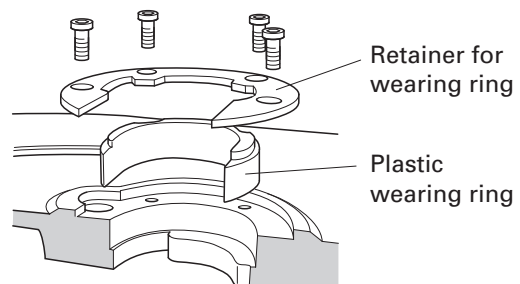
An additional lock is integrated into the handle of the JSK 42. This allows you to release the lock and open the handle with one hand (convenient handle).

Open handle function JSK 42



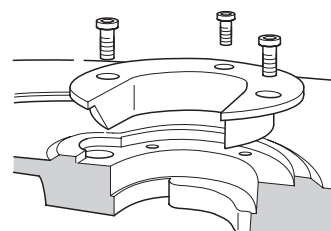
Wearing ring with plastic insert: for the JSK 37 E, JSK 37 EW, JSK 37 CW and JSK 42 series.

Wearing ring with plastic insert



Steel wearing ring: for the JSK 37 C, JSK 36 DV, JSK 38 and JSK 50 series.

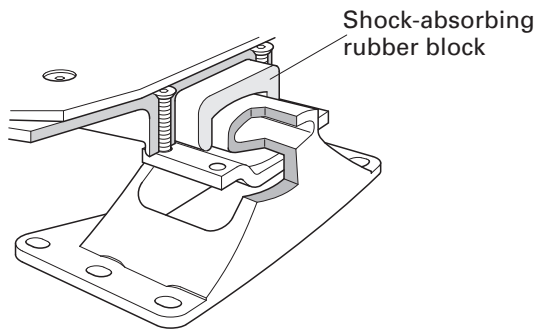
Steel wearing ring



Fifth wheel couplings and mounting plates

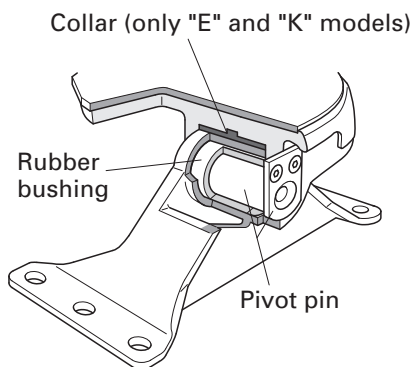
When choosing a fifth wheel coupling, you should especially take into consideration the requirements placed on bearing arrangements, mounting and maintenance. Basically, Jost fifth wheel couplings can be used universally.

Rubber bearing - Model "C"



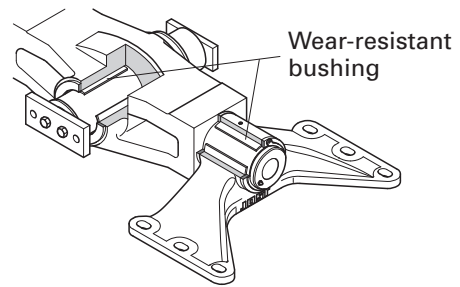
Fifth wheel couplings with rubber mountings are particularly suitable for poor quality road surfaces. The rubber cushions are shock-absorbent and maintenance-free.

Pivot bearing - Model "D", "E" and "K"



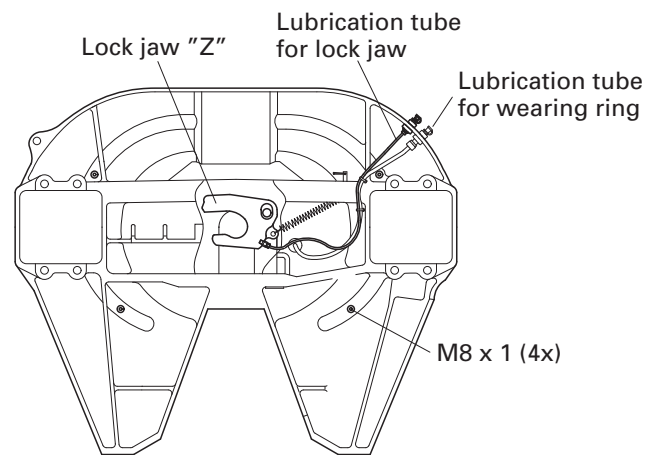
The pivot bearing allows for low mounting heights and is maintenance-free in the "E" and "K" version. They are especially well suited to use in sliding and dual-height fifth wheel systems. Model "K": protects the chassis dues to its longitudinal elasticity (lateral movement).

Cardan mounting - Model "G"



The cardanic bearing is designed to allow roll between tractor and semi-trailer under off-road conditions. The lateral suspension can be disabled for on-road use.

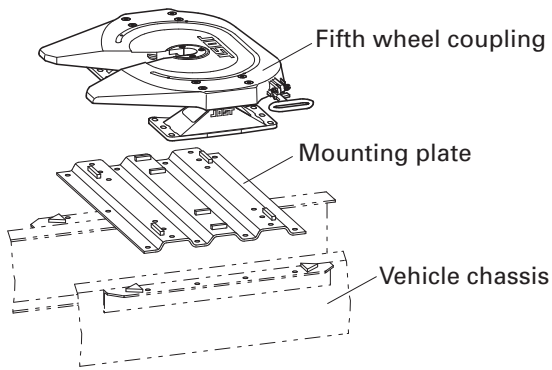
Prepared for central lubrication systems Model "E", "K" and all models with "Z" style



Fifth wheel couplings need to be lubricated (manual lubrication). Model "E", "K" and all models with "Z" style fifth wheel couplings are prepared for connection to a central lubrication system on the tractor unit.

W series fifth wheel couplings (with top-plate liners) are low maintenance, i.e. only the lock needs to be lubricated. For details, see the installation and operating instructions.

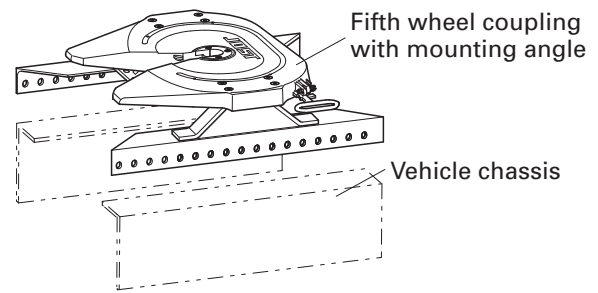
Plate mounting



The fifth wheel coupling is fixed to the tractor chassis by means of a mounting plate. Various mounting plate and fifth wheel mounting heights are available to make an accurate match between the height of the fifth wheel and existing trailer systems possible.

JOST mounting plates for fifth wheel couplings satisfy the requirements of Directive 94/20/EC – Class J and are approved for the steering forces of steered semi-trailers. We also offer a selection of mounting kits for connecting mounting plates and fifth wheels to the tractor unit.

Chassis mounting



The fifth wheel coupling is built onto either the chassis or sub-frame of the tractor.

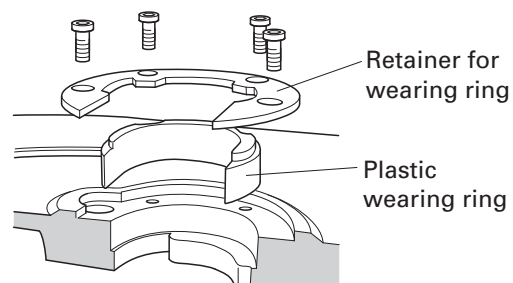
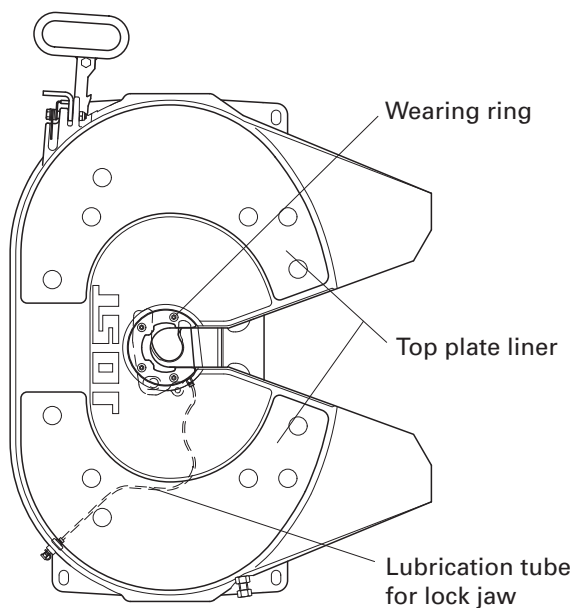
The JOST mounting instructions for fifth wheel couplings and mounting plates, as well as the respective mounting instructions supplied by the vehicle manufacturer must be observed when mounting or converting equipment.



Low-maintenance JOST fifth wheel coupling - "W" Style

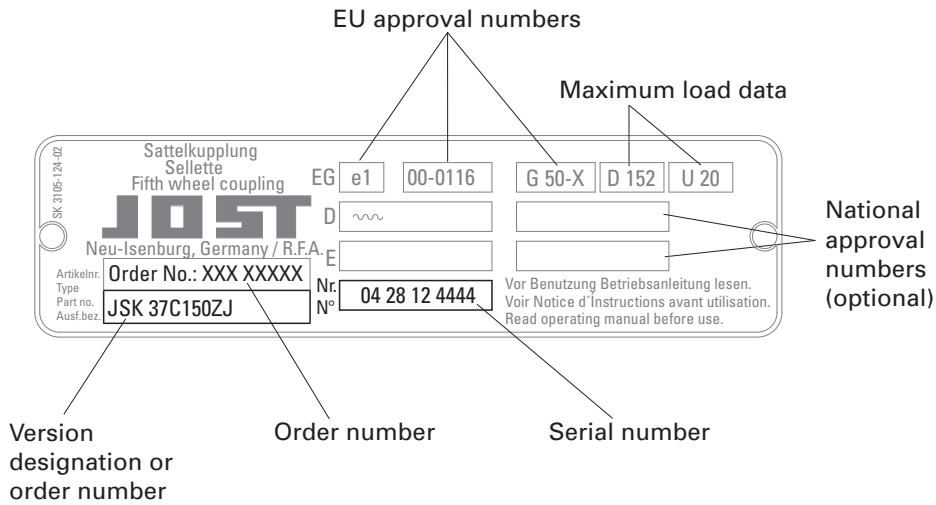
The series JSK 37 CW/EW fifth wheel couplings and all the series JSK 42 fifth wheel couplings in version "W" are equipped with a top plate liner on the mounting surface and a wearing ring with plastic insert in the locking mechanism. In conjunction with the maintenance-free rubber or pivot

bearing, only one greasing point on the lock jaw needs local lubrication. All wearing parts can be replaced quickly and easily. Low-maintenance fifth wheel couplings therefore save both time and money, as well as conserving resources.



Type designation

The fifth wheel type plate is secured on the side of the coupling plate. When ordering spare parts, please quote the model designation and the serial number.



Definition D value

The construction of the fifth wheel coupling in connection with the vehicle is carried out by the vehicle manufacturer (construction according to Directive 94/20/EC, Appendix VII).

The imposed load on the tractor and the D value are criterions for the load-bearing capacity of the fifth wheel couplings and mounting plates.

The D value calculates according to the following formula:

$$D = g \times \frac{0,6 \times T \times R}{T + R - U} \quad (\text{kN})$$

Key:

T = permissible total weight of the tractor unit in t (including U)

R = permissible total weight of the semi-trailer in t

U = permissible imposed load on tractor in t

g = 9,81m/sec²

Calculation example:

Given: T = 17t

R = 33t

U = 10,5t

$$D = 9,81 \times \frac{0,6 \times 17 \times 33}{17 + 33 - 10,5} = 83,6 \quad (\text{kN})$$

The permissible load data for JOST fifth wheel couplings can be found on the type plate or from the JOST product catalogue. They apply for the intended use in compliance with the Directive 94 / 20 EC or ECE-R55. If additional dynamic demands are to be placed on the coupling, e.g. by use on uneven road surfaces or building sites, the imposed load and D value should not be fully used or a stronger fifth wheel coupling should be fitted, and/or you should ask JOST for advice.

Product overview

The table below shows the standard versions dependent on load, bearing and maintenance. Other models are available on request.

Series	Lock	D value (kN)	Imposed load U (t)	Rubber bearing	Slide bearing	Cardan bearing	Maintenance
JSK 26D	2"	50.0	6		X		M
JSK 36 DA*	2"	152.0	20		X		M
JSK 36 DV	2"	152.0	20		X		M
JSK 37 C	2"	152.0	20	X			M
JSK 37 CW	2"	152.0	20	X			W
JSK 37 CZ	2"	152.0	20	X			Z
JSK 37 E	2"	152.0	20		X		Z
JSK 37 EW	2"	152.0	20		X		W
JSK 37 EA*	2"	152.0	20		X		Z
JSK 37 EAW*	2"	152.0	20		X		W
JSK 37 ER*	2"	152.0	20		X		Z
JSK 37 ERW*	2"	152.0	20		X		W
JSK 37 ME140	2"	126.0	15		X		Z
JSK 37 ME140W	2"	126.0	15		X		W
JSK 42 K0*	2"	152.0	20		X		Z, W
JSK 42 K2-K6*	2"	152.0	20		X		Z, W
JSK 42 K7*	2"	152.0	20		X		Z, W
JSK 42 K8*	2"	152.0	20		X		Z, W
JSK 42 MK 162	2"	152.0	20		X		Z, W
JSK 38 C-1	3 1/2"	260.0	36	X			M, Z
JSK 38 C-1 2"	2"	170.0	28	X			M, Z
JSK 38 G-1	3 1/2"	260.0	36			X	M, Z
JSK 38 G-1 2"	2"	170.0	28			X	M, Z
JSK 38 MC	3 1/2"	260.0	36	X			M, Z
JSK 50	3 1/2"	300.0	50		X		M

Explanations:

X = Bearing design

M = Manual lubrication

Z = Prepared for connection to the central lubrication system on the tractor unit

M, Z = Available either for manual lubrication or prepared for central lubrication

W = Low-maintenance, lubrication only required on the lock jaw

* = Chassis mounting

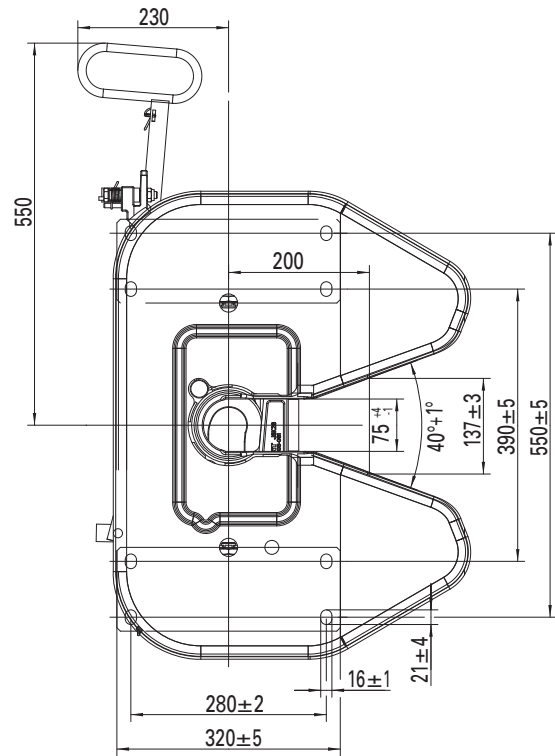
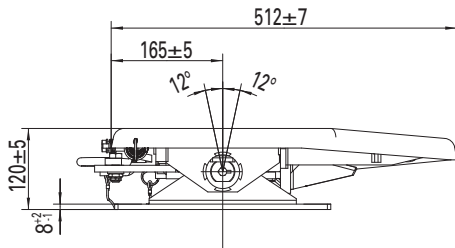
Before you use this fifth wheel coupling you must obtain approval from the tractor unit manufacturer



Fifth wheel coupling JSK 26D

Technical Specification

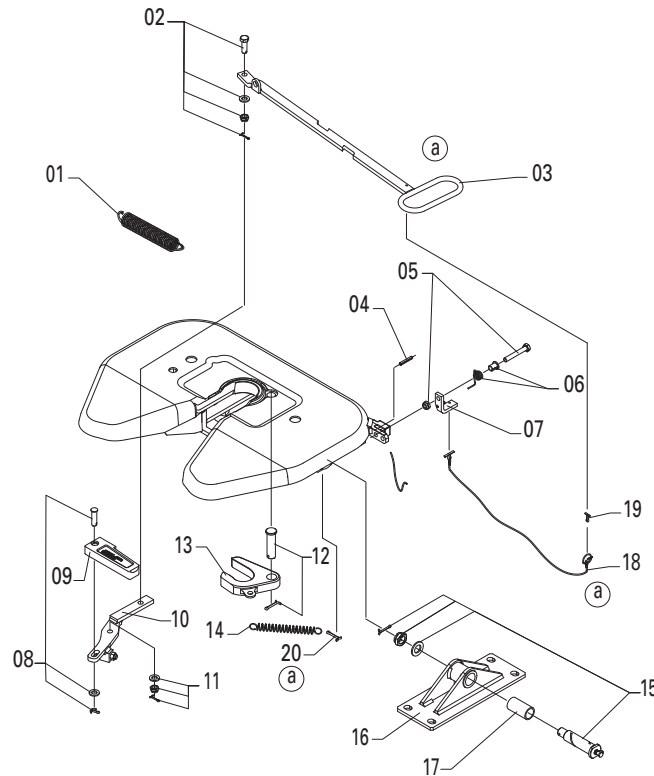
Pressed steel design with pivot bearings.
Suitable for 2" king pins (50) as per ECE R55-01, DIN 74080 / ISO 337. Approved for forced steering semi-trailers.
Total towing weight max. 12t



Order No.	D value (kN)	Imposed load U (t)	Weight (kg)	Approval (EC)
JSK 26D	50.0*	6	45.0	E1 - R55 01 1800

* D value 40.0 kN when steering wedges are used

Spare parts



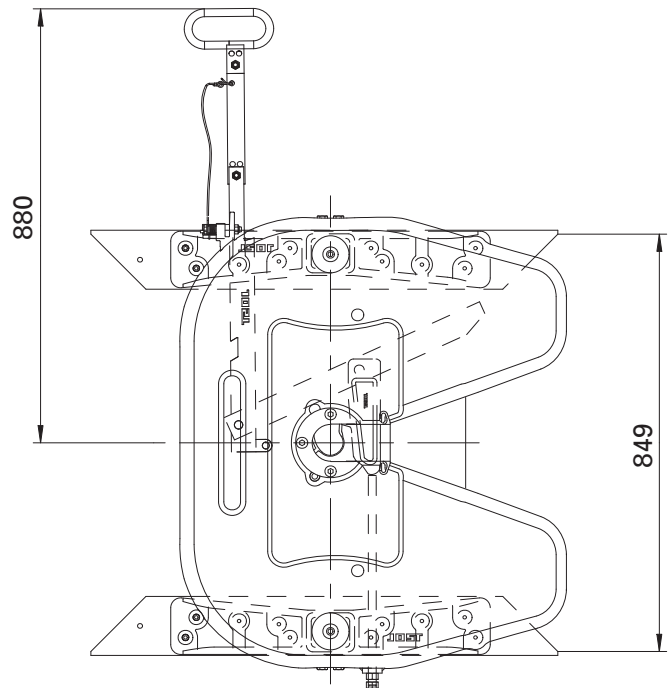
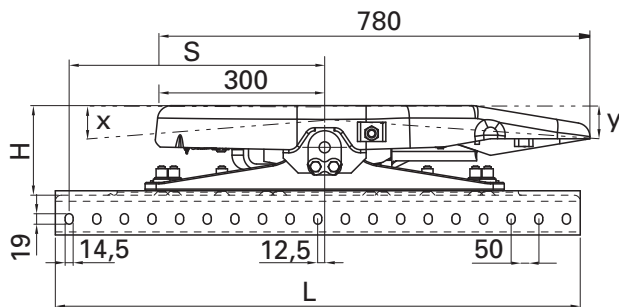
Item	Description	Remark	Order No.	per JSK	Item	Description	Remark	Order No.	per JSK
01	Double tension spring		SK 3105-152	1	11	Castle nut	compl.	SK 2621-56	1
02	Hexagon bolt	compl.	SK 2621-54	1	12	Bolt	compl.	SK 2621-51	1
03	Handle		SKE 004790000	1	13	Lock jaw		SK 2605-060	1
04	Spring hook		000.003.027	1	14	Tension spring		SK 847	1
05	Hexagon bolt		SK 3521-03	1	15	Spring bolt	compl.	SK 2621-02	2
06	Spring noose		SK 2921-30	1	16	Pedestal		SKE 005500000	2
07	Latch	compl.	SK 3121-52	1	17	Bush		SK 2604-04	2
08	Bar bolt	compl.	SK 2621-53	1	18	traction rope complete		SK 3521-02	1
09	Locking bolt		SK 2605-061	1	19	Split pin		SKE035210600	1
10	Lever	compl.	SK 2605-59	1	20	Split pin		NTE000001600	1

Fifth wheel couplings JSK 36 DA

Technical Specification

2" fifth wheel coupling in pressed steel design with pivot bearings, for fitting to the frame or subframe of the tractor without a mounting plate.

Suitable for 2" king pins (50) as per 94/20/EC, DIN 74080, ISO 337 and steering wedges as per 94/20/EC, DIN 74085.



Selection table / Versions available

Order No.	H (mm)	S (mm)	L (mm)	X	Y	D value (kN)	Imposed load U (t)	Weight (kg)	Approval (EC)	ZL	Oval hole versions*
JSK36DA2100AW	160	462.5	950	15°	12°	152.0	20	147.0	e1 00-0301	J	E
JSK36DA2100AY	160	437.5	950	15°	12°	152.0	20	147.0	e1 00-0301	J	F
JSK36DA4400AW	200	462.5	950	15°	12°	152.0	20	152.0	e1 00-0301	J	E
JSK36DA4400AY	200	437.5	950	15°	12°	152.0	20	152.0	e1 00-0301	J	F
JSK36DA5800AW	230	462.5	950	15°	15°	152.0	20	158.0	e1 00-0301	J	E
JSK36DA5800AY	230	437.5	950	15°	15°	152.0	20	158.0	e1 00-0301	J	F

Explanations:

ZL / Handle length

J = Long handle

* Note: see pedestal versions/oval hole versions

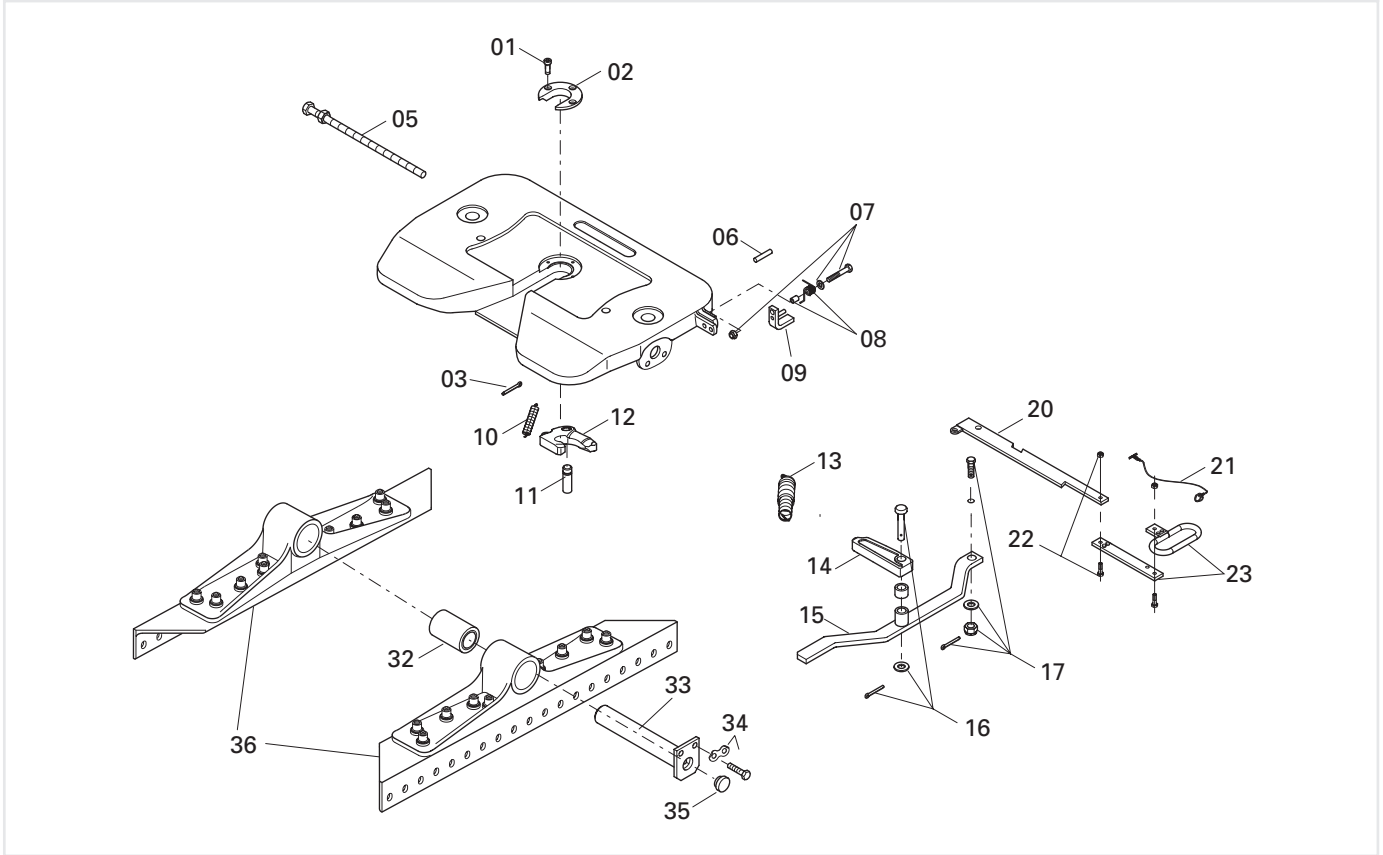
available with



Sensoric

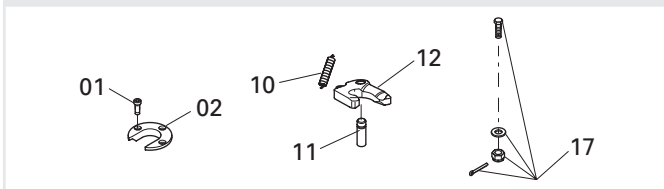
JSK 36 DA

Spare parts



Item	Description	Remark	Order No.	per JSK	Item	Description	Remark	Order No.	per JSK
01	Socket head bolt		SK 2121-07	3	16	Bar bolt	compl.	SK 2921-02	1
02	Wearing ring		SK 2105-19	1	17	Hexagon bolt	compl.	SK 1513	1
05	Adjusting screw		SK 2905-51	1	20	Locking bar		SK 2905-106	1
06	Clamping pin		000.003.027	1	21	Latch cord	compl.	SK 3521-02	1
07	Hexagon bolt	compl.	SK 3521-03	1	22	Hexagon bolt	compl.	SK 2421-50	2
08	Spring noose	compl.	SK 2921-30	1	23	Handle	compl. with 21 + 22	SK 3121-064	1
09	Latch	compl.	SK 3121-52	1	32	Rubber bushing	compl.	SK 2905-94	2
10	Tension spring		SK 847	1	33	Pivot pin	with 35	SK 2904-99	2
11	Bolt		SK 2106-67	1	34	Hexagon bolts	compl.	SK 2921-038	2
12	Lock jaw		SK 1489 Z	1	35	Plug		JS 1101-12	2
13	Double tension spring		SK 3105-20	1	36	Pedestal H 160	E + F*	SKE 500010220	1
14	Locking bolt		SK 2905-06	1	36	Pedestal H 200	E + F*	SKE 500010220	1
15	Lever		SK 2107-25	1	36	Pedestal H 230	E + F*	SKE 500010220	1

Repair and retrofit kits



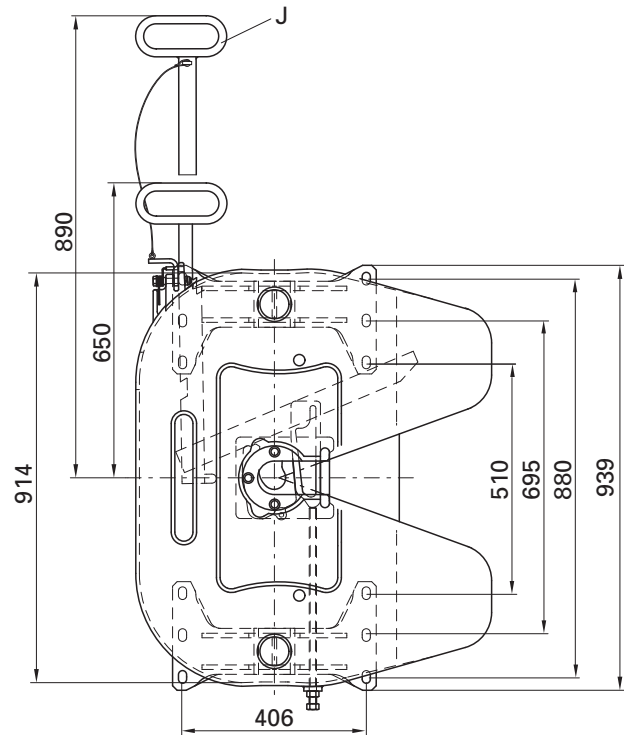
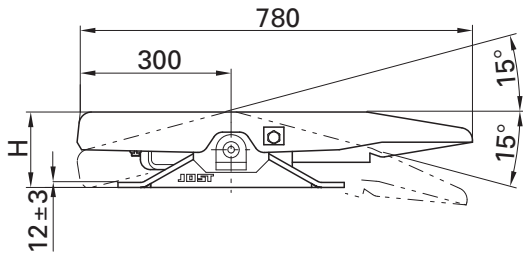
Item	Description	Order No.
01, 02, 10, 11, 12	Repair kit for lock	SK 3221-50
01, 02	Repair kit for lock	SK 2121-51
10, 11, 12	Repair kit for lock	SK 3221-52
01, 02, 10, 11, 12, 17	Repair kit for lock	SK 3121-51

*Note: The E series can be converted to the F series (and vice versa) by switching the right and left pedestals on the opposite side. This causes the fifth wheel coupling to be displaced by 25 mm in relation to the attachment hole pattern of the tractor.

Fifth wheel coupling JSK 36 DV

Technical Specification

2" fifth wheel coupling in pressed steel design with pivot bearings, manual lubrication, as per DIN 74081 and ISO 3842. Suitable for 2" king pins (50) as per 94/20/EC, DIN 74080, ISO 337 and steering wedges as per 94/20/EC, DIN 74085.



Selection table / Versions available

Order No.	H (mm)	D value (kN)	Imposed load U (t)	Weight (kg)	Approval (EC)	ZL
JSK 36 DV2	150	152.0	20	119.0	e1 00-0301	K
JSK 36 DV2 J	150	152.0	20	119.0	e1 00-0301	J
JSK 36 DV1	172	152.0	20	122.0	e1 00-0301	K
JSK 36 DV1 J	172	152.0	20	122.0	e1 00-0301	J
JSK 36 DV3	185	152.0	20	124.0	e1 00-0301	K
JSK 36 DV3 J	185	152.0	20	124.0	e1 00-0301	J
JSK 36 DV17 G	205	152.0	20	125.0	e1 00-0301	K
JSK 36 DV17 GJ	205	152.0	20	125.0	e1 00-0301	J

Explanations:

ZL / Handle length

J = Long handle

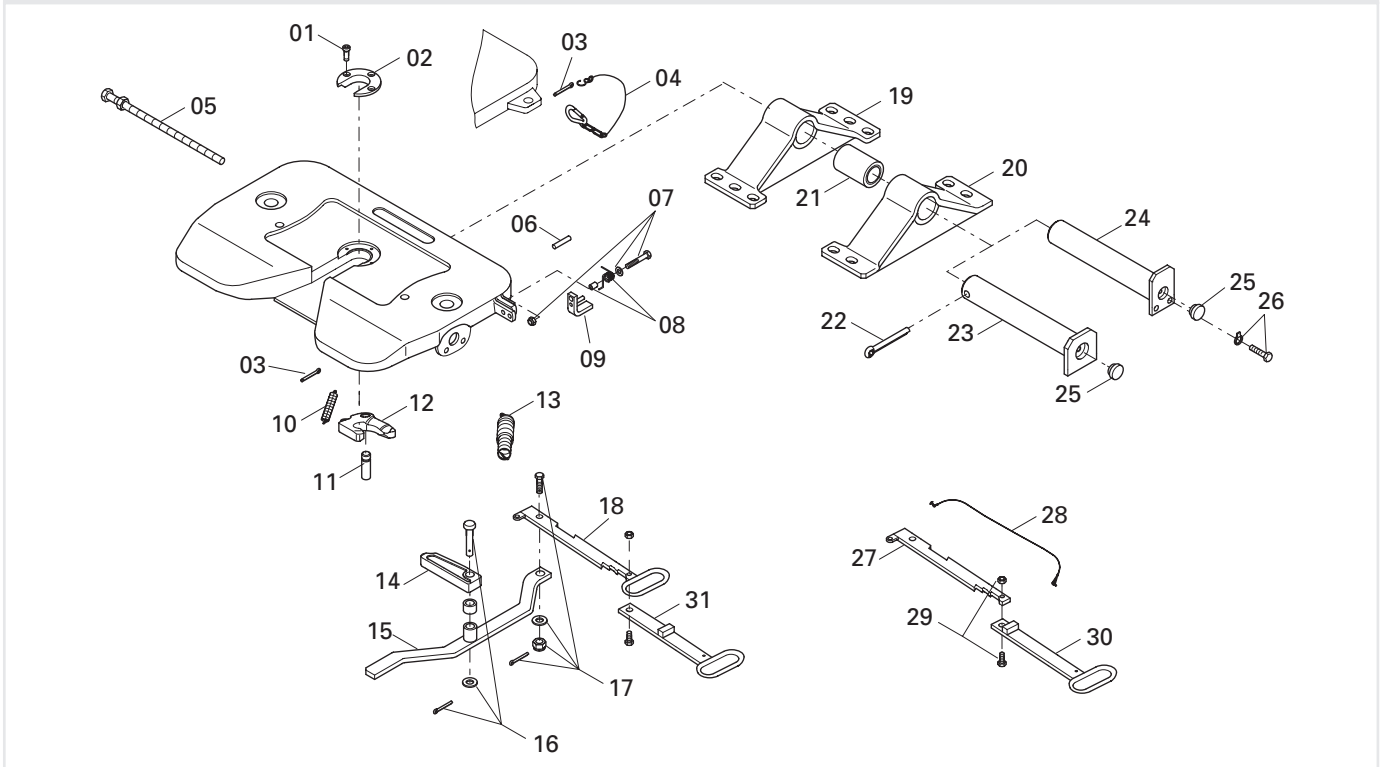
K = Short handle

available with



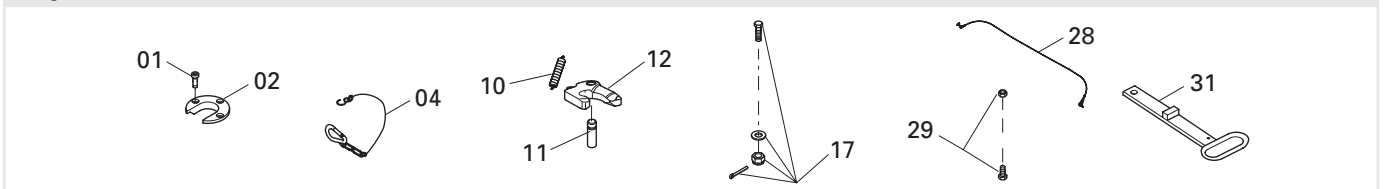
JSK 36 DV

Spare parts



Item	Description	Remark	Order No.	per JSK	Item	Description	Remark	Order No.	per JSK
01	Socket head bolt		SK 2121-07	3	19	Pedestal DV2 (H 150)		SKE 501530001	2
02	Wearing ring		SK 2105-19	1	19	Pedestal DV1 (H 172)		SKE 501540001	2
03	Split pin	to xx83xxxxxx	SK 1974	1	19	Pedestal DV16 (H 225)	Repl. f. SK 2904-05	SK 2904-90	2
04	Spring hook	to xx83xxxxxx	SK 1436	1	19	Pedestal DV17G (H 205)		SK 2904-105	2
05	Adjusting screw		SK 2905-51	1	19	Pedestal DV3 (H 185)		SKE 501550001	2
06	Clamping pin		000.003.027	1	20	Pedestal DV	only sp. parts, 4 hole	SK 1525	2
07	Hexagon bolt	compl. from xx89xxxxxx	SK 3521-03	1	21	Rubber bushing	compl.	SK 2905-94	2
08	Spring noose	compl. from xx89xxxxxx	SK 2921-30	1	22	Split pin	to xx83xxxxxx	SK 2921-04	2
09	Latch	compl. from xx89xxxxxx	SK 3121-52	1	23	Pivot pin	+ 22, 25, to xx83xxxxxx	SK 2921-24	2
10	Tension spring		SK 847	1	24	Pivot pin	+ 25, from xx89xxxxxx	SK 2904-99	2
11	Bolt		SK 2106-67	1	25	Plug		JS 1101-12	2
12	Lock jaw		SK 1489 Z	1	26	Hexagon bolts	compl. from xx89xxxxxx	SK 2921-038	2
13	Double tension spring		SK 3105-20	1	27	Locking bar	compl. for type J	SK 2905-106	1
14	Locking bolt		SK 2905-06	1	28	Latch cord	compl. for type J	SK 3521-02	1
15	Lever		SK 2107-25	1	29	Hexagon bolt	compl. for type J	SK 2421-50	1
16	Bar bolt	compl.	SK 2921-02	1	30	Handle	f. type J, from xx89xxxxxx	SK 3105-113	1
17	Hexagon bolt	compl.	SK 1513	1	31	Handle extension	only in retrofit kit		
18	Handle, stand. vers.		SK 2905-111	1					

Repair and retrofit kits



Item	Description	Order No.	Item	Description	Order No.
01, 02, 10, 11, 12	Repair kit for lock	SK 3221-50	01, 02, 04, 10, 11, 12, 17	Repair kit for lock	SK 3121-50
01, 02	Repair kit for lock	SK 2121-51	01, 02, 10, 11, 12, 17	Repair kit for lock	SK 3121-51
10, 11, 12	Repair kit for lock	SK 3221-52	28, 29, 31	Handle extension compl. from xx89xxxx	SK 2921-031

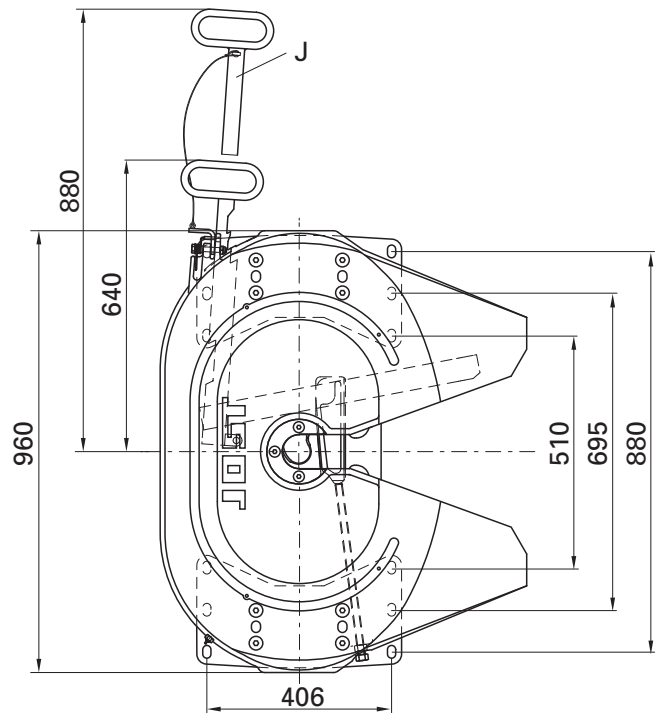
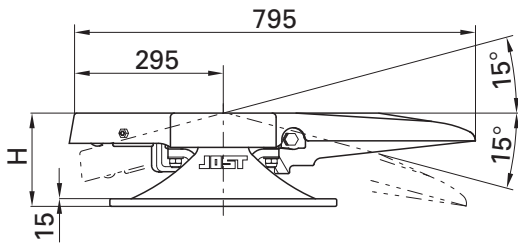
Fifth wheel couplings JSK 37 C

Technical Specification

Rubber bearing.

The fifth wheel coupling complies with the following directives / standards:

94/20/EC - Class G50, DIN 74081, ISO 3842. Suitable for mounting 2" king pins (50) as per 94/20/EC, DIN 74080, ISO 337 and steering wedges as per 94/20/EC, DIN 74085u.



Selection table / Versions available

Order No.	H (mm)	D value (kN)	Imposed load U (t)	Weight (kg)	Approval (EC)	WA	ZL
JSK 37 C150	150	152.0	20	149.0	e1 00-0116	M	K
JSK 37 C150 Z	150	152.0	20	149.0	e1 00-0116	Z	K
JSK 37 C150 J	150	152.0	20	149.0	e1 00-0116	M	J
JSK 37 C150 ZJ	150	152.0	20	149.0	e1 00-0116	Z	J
JSK 37 C170	170	152.0	20	151.0	e1 00-0116	M	K
JSK 37 C170 Z	170	152.0	20	151.0	e1 00-0116	Z	K
JSK 37 C170 J	170	152.0	20	151.0	e1 00-0116	M	J
JSK 37 C170 ZJ	170	152.0	20	151.0	e1 00-0116	Z	J
JSK 37 C185	185	152.0	20	152.0	e1 00-0116	M	K
JSK 37 C185 Z	185	152.0	20	152.0	e1 00-0116	Z	K
JSK 37 C185 J	185	152.0	20	152.0	e1 00-0116	M	J
JSK 37 C185 ZJ	185	152.0	20	152.0	e1 00-0116	Z	J
JSK 37 C250	250	152.0	20	168.0	e1 00-0116	M	K
JSK 37 C250 Z	250	152.0	20	168.0	e1 00-0116	Z	K
JSK 37 C250 J	250	152.0	20	168.0	e1 00-0116	M	J
JSK 37 C250 ZJ	250	152.0	20	168.0	e1 00-0116	Z	J
JSK 37 C300	300	152.0	20	178.0	e1 00-0116	M	K
JSK 37 C300 Z	300	152.0	20	178.0	e1 00-0116	Z	K
JSK 37 C300 J	300	152.0	20	178.0	e1 00-0116	M	J
JSK 37 C300 ZJ	300	152.0	20	178.0	e1 00-0116	Z	J

Explanations:

WA / Maintenance

Z = Prepared for central lubrication

M = Manual lubrication

ZL / Handle length

J = Long handle

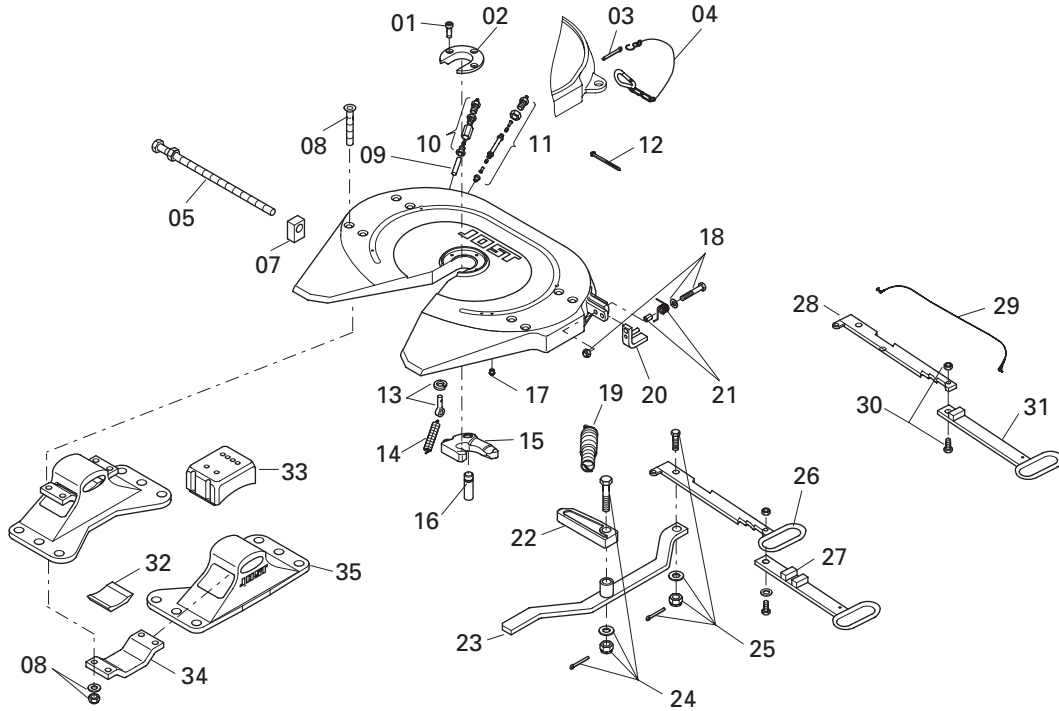
K = Short handle

available with



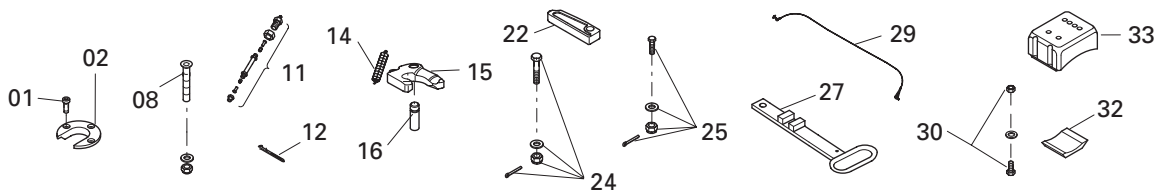
JSK 37 C

Spare parts



Item	Description	Remark	Order No.	per JSK	Item	Description	Remark	Order No.	per JSK
01	Socket head bolt		SK 2121-07	3	21	Spring noose	compl. from 0428xxxxx	SK 3121-59	1
02	Wearing ring		SK 2105-19	1	22	Locking bolt		SK 3205-06	1
03	Split pin	to xx24xxxxxx	SK 1974	1	23	Lever		SK 3105-18	1
04	Spring hook	to xx24xxxxxx	SK 1436	1	24	Bar bolt	compl.	SK 3221-01	1
05	Adjusting screw		SK 3105-150	1	25	Hexagon bolt	compl.	SK 1513	1
07	Guide		SK 3205-07	1	26	Handle	standard vers.	SK 3105-15	1
08	Countersunk bolt	compl.	SK 2121-15	8	27	Handle extension	only in retrofit kit		
09	Lubrication tube		SK 1989	1	28	Locking bar	for type J	SK 3105-115	1
10	Nut and bolt		SK 1976	1	29	Latch cord	compl. for type J	SK 3521-02	1
11	Lubrication tube	f. type CZ, with 12	SK 3108-02	1	30	Hexagon bolt	compl. for type J	SK 2421-50	1
12	Cable tie		SK 3121-13	1	31	Handle	for type J	SK 3105-113	1
13	Eye bolt	compl.	SK 2122-04	1	32	Rubber cushion, lower		SK 2105-25	2
14	Tension spring		SK 847	1	33	Rubber cushion, upper		SK 1259	2
15	Lock jaw	with 12	SK 1489 Z	1	34	Bridge		SK 1372	2
16	Bolt		SK 2106-67	1	35	Pedestal H 150		SK 2104-02	2
17	Threaded stopper		000.010.021	4	35	Pedestal H 170		SK 2104-21	2
18	Hexagon bolt	compl. from 0428xxxxx	SK 3521-03	1	35	Pedestal H 185		SK 2104-01	2
19	Double tension spring		SK 3105-20	1	35	Pedestal H 250		SK 2104-14	2
20	Latch	compl. from 0428xxxxx	SK 3121-52	1	35	Pedestal H 300		SK 2104-20	2

Repair and retrofit kits



Item	Description	Order No.	Item	Description	Order No.
01, 02, 14, 15, 16	Repair kit for lock for type C	SK 3221-50	08, 32, 33	Repair kit for bearing	SK 2121-69
14, 15, 16	Repair kit for lock for type C	SK 3221-52	11, 15	Retrofit kit for type C on CZ	SK 3108-05
01, 02	Repair kit for lock for type C/CZ	SK 2121-51	27, 29, 30	Retrofit kit handle extension compl.	SK 3121-063
01, 02, 11, 14, 15, 16	Repair kit for lock for type CZ	SK 3221-50 Z	01, 02, 11, 12, 14, 15,		
11, 14, 15, 16	Repair kit for lock for type CZ	SK 3221-52 Z	16, 22, 24, 25	Repair kit for lock	SK 3121-072 Z

Fifth wheel couplings JSK 37 CW

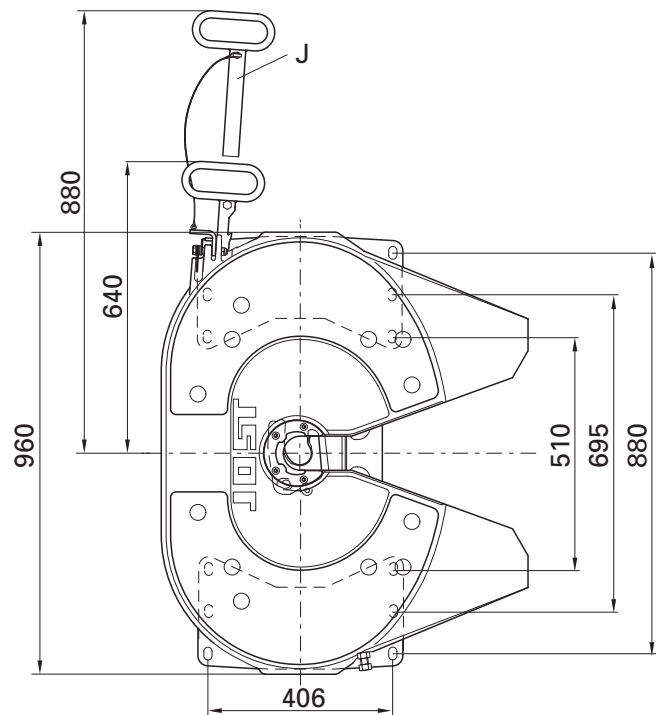
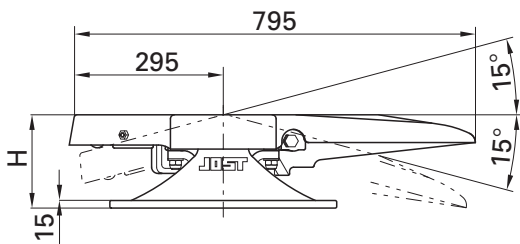
Technical Specification

Rubber bearing.

- low-maintenance
- LubeTronic *1Point* is a standard feature here

The fifth wheel coupling complies with the following directives / standards:

94/20/EC - Class G50, DIN 74081, ISO 3842. Suitable for mounting 2" king pins (50) as per 94/20/EC, DIN 74080, ISO 337 and steering wedges as per 94/20/EC, DIN 74085.



Selection table / Versions available

Order No.	H (mm)	D value (kN)	Imposed load U (t)	Weight (kg)	Approval (EC)	WA	ZL
JSK37C02087AA	150	152.0	20	150.0	e1 00-0116	W	J
JSK37C03087AA	170	152.0	20	152.0	e1 00-0116	W	J
JSK37C03887AA	185	152.0	20	153.0	e1 00-0116	W	J
JSK37C07087AA	250	152.0	20	169.0	e1 00-0116	W	J
JSK37C08087AA	300	152.0	20	179.0	e1 00-0116	W	J

Explanations:

WA / Maintenance

W = Low-maintenance version with
top plate liners and LubeTronic *1Point*

ZL / Handle length

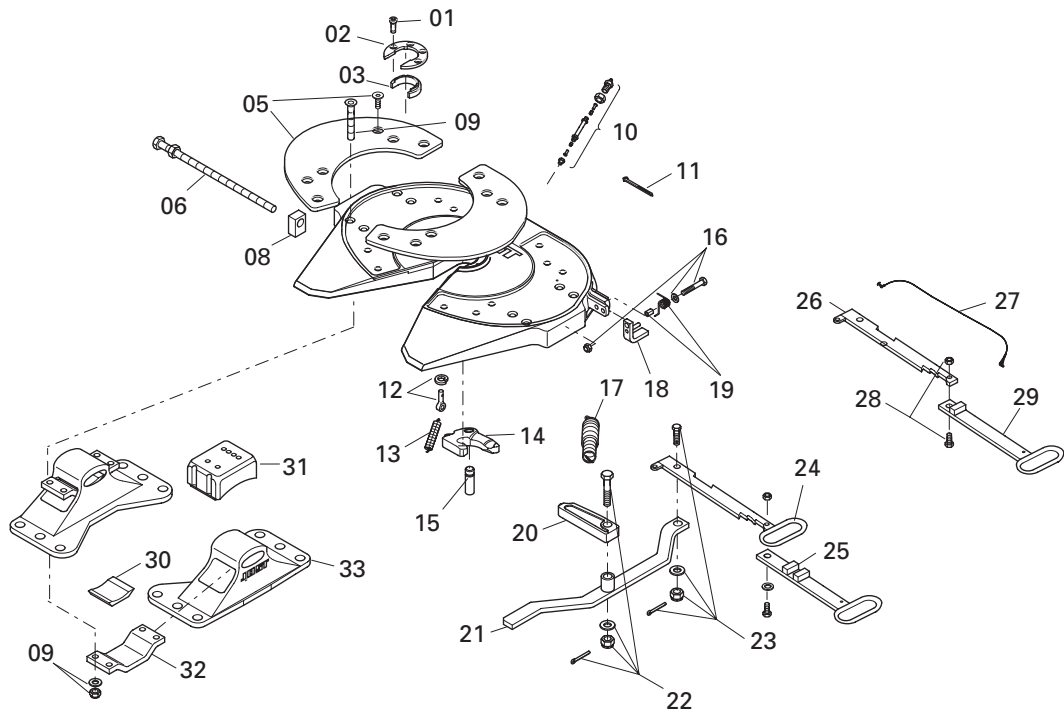
J = Long handle

available with



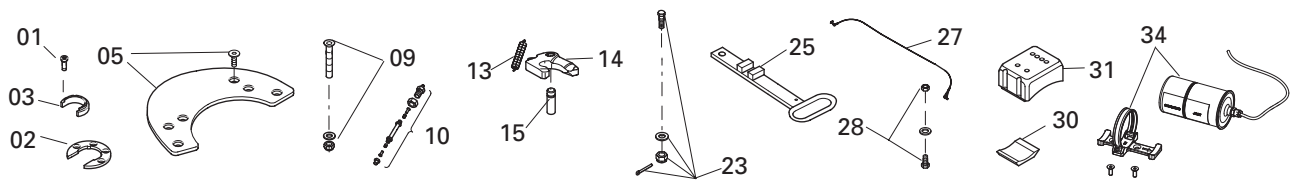
JSK 37 CW

Spare parts



Item	Description	Remark	Order No.	per JSK	Item	Description	Remark	Order No.	per JSK
01	Socket head bolt		SK 3121-55	4	20	Locking bolt		SK 3205-06	1
02	Mounting ring		SK 3105-93	1	21	Lever		SK 3105-18	1
03	Wearing part		SK 3105-92	1	22	Bar bolt	compl.	SK 3221-01	1
05	Slide washer, left	compl. with screws	SK 3105-129L	1	23	Hexagon bolt	compl.	SK 1513	1
05	Slide washer, right	compl. with screws	SK 3105-129R	1	24	Handle	standard vers.	SK 3105-15	1
06	Adjusting screw		SK 3105-151	1	25	Handle extension	only in retrofit kit		
08	Guide		SK 3205-07	1	26	Locking bar	for type J	SK 3105-115	1
09	Countersunk bolt	compl.	SK 2121-15	8	27	Latch cord	compl. for type J	SK 3521-02	1
10	Lubrication tube	compl. with 11	SK 3108-02	1	28	Hexagon bolt	compl. for type J	SK 2421-50	1
11	Cable tie		SK 3121-13	1	29	Handle	for type J	SK 3105-113	1
12	Eye bolt	compl.	SK 2122-04	1	30	Rubber cushion, lower		SK 2105-25	2
13	Tension spring		SK 847	1	31	Rubber cushion, upper		SK 1259	2
14	Lock jaw	compl. with 11	SK 1489 Z	1	32	Bridge		SK 1372	2
14	Lock jaw	for LubeTronic	SKE 004090000	1	33	Pedestal H 150		SK 2104-02	2
15	Bolt		SK 2106-67	1	33	Pedestal H 170		SK 2104-21	2
16	Hexagon bolt	compl.	SK 3521-03	1	33	Pedestal H 185		SK 2104-01	2
17	Double tension spring		SK 3105-20	1	33	Pedestal H 250		SK 2104-14	2
18	Latch	compl.	SK 3121-52	1	33	Pedestal H 300		SK 2104-20	2
19	Spring noose	compl.	SK 3121-59	1					

Repair and retrofit kits



Item	Description	Order No.	Item	Description	Order No.
10, 13, 14, 15	Repair kit for lock	SK 3221-52 Z	25, 27, 28	Retrofit kit handle extension compl.	SK 3121-063
01, 02, 03, 10, 13, 14, 15, 23	Repair kit for lock	SK 3121-60 Z	01, 02, 03, 13, 14, 15, 34	Repair kit LubeTronic compl.	SKE 004070000
09, 30, 31	Repair kit for bearing	SK 2121-69	01, 02, 03, 05, 13,		
05	Top plate liner repair kit with screws	SK 3106-003	14, 15, 34	Repair kit LubeTronic + lock jaw compl.	SKE 004620000

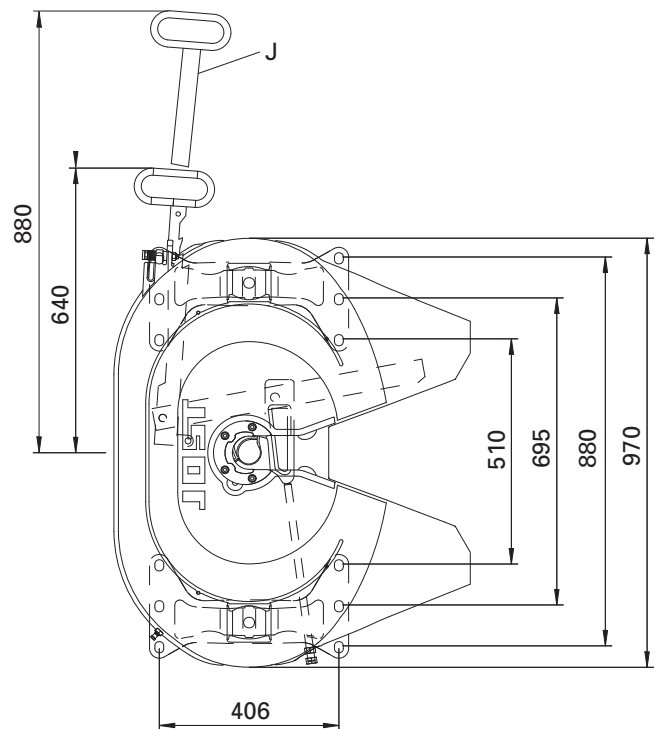
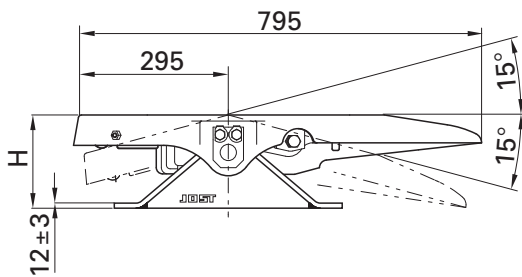
Fifth wheel couplings JSK 37 E / EW

Technical Specification

Pivot bearing.

The fifth wheel coupling complies with the following directives / standards:

94/20/EC - Class G50, DIN 74081, ISO 3842. Suitable for mounting 2" king pins (50) as per 94/20/EC, DIN 74080, ISO 337 and steering wedges as per 94/20/EC, DIN 74085.



Selection table / Versions available

Order No.	H (mm)	D value (kN)	Imposed load U (t)	Weight (kg)	Approval (EC)	WA	ZL
JSK 37 E150	150	152.0	20	135.0	e1 00-0294	Z	K
JSK 37 E150 W	150	152.0	20	135.0	e1 00-0294	W	K
JSK 37 E150 J	150	152.0	20	135.0	e1 00-0294	Z	J
JSK 37 E150 WJ	150	152.0	20	135.0	e1 00-0294	W	J
JSK 37 E170	172	152.0	20	138.0	e1 00-0294	Z	K
JSK 37 E170 W	172	152.0	20	138.0	e1 00-0294	W	K
JSK 37 E170 J	172	152.0	20	138.0	e1 00-0294	Z	J
JSK 37 E170 WJ	172	152.0	20	138.0	e1 00-0294	W	J
JSK 37 E185	185	152.0	20	140.0	e1 00-0294	Z	K
JSK 37 E185 W	185	152.0	20	140.0	e1 00-0294	W	K
JSK 37 E185 J	185	152.0	20	140.0	e1 00-0294	Z	J
JSK 37 E185 WJ	185	152.0	20	140.0	e1 00-0294	W	J
JSK 37 E205	205	152.0	20	141.0	e1 00-0294	Z	K
JSK 37 E205 W	205	152.0	20	141.0	e1 00-0294	W	K
JSK 37 E205 J	205	152.0	20	141.0	e1 00-0294	Z	J
JSK 37 E205 WJ	205	152.0	20	141.0	e1 00-0294	W	J

Explanations:

WA / Maintenance

Z = Prepared for central lubrication

W = Low-maintenance version

ZL / Handle length

J = Long handle

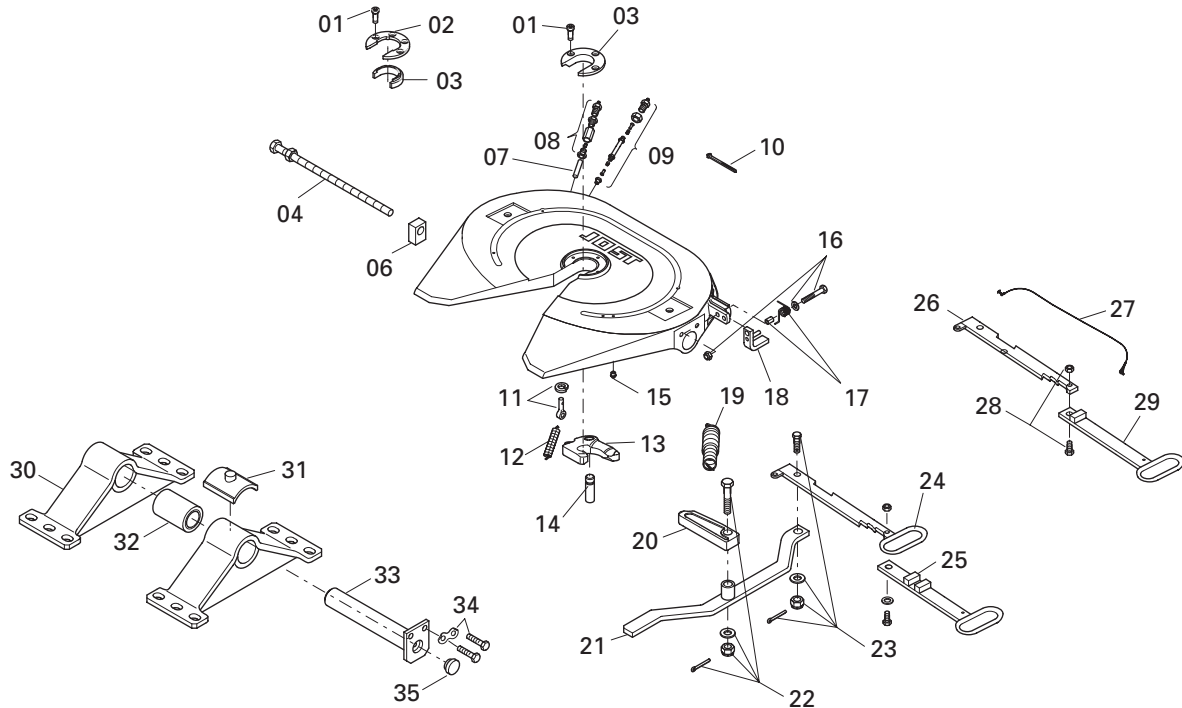
K = Short handle

available with



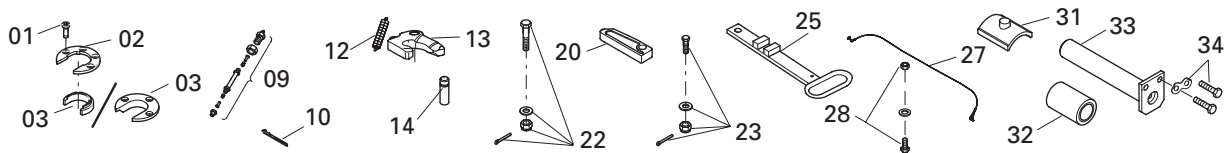
JSK 37 E

Spare parts



Item	Description	Remark	Order No.	per JSK	Item	Description	Remark	Order No.	per JSK
01	Socket head bolt	to xx31xxxxxx	SK 2121-07	3	20	Locking bolt		SK 3205-06	1
01	Socket head bolt	from xx34xxxxxx	SK 3121-55	4	21	Lever	for JSK DH	SKE 500350001	1
02	Mounting ring	from xx34xxxxxx	SK 3105-93	1	21	Lever		SK 3105-18	1
03	Wearing ring	to xx31xxxxxx	SK 2105-19	1	22	Bar bolt	compl.	SK 3221-01	1
03	Wearing part	from xx34xxxxxx	SK 3105-92	1	23	Hexagon bolt	compl.	SK 1513	1
04	Adjusting screw	from xx31xxxxxx	SK 3105-151	1	24	Handle	standard vers.	SK 3105-15	1
04	Adjusting screw	to xx28xxxxxx	SK 3105-150	1	25	Handle extension	only in retrofit kit		
06	Guide		SK 3205-07	1	26	Locking bar	for type J	SK 3105-115	1
07	Lubrication tube	to xx31xxxxxx	SK 1989	1	27	Latch cord	compl. for type J	SK 3521-02	1
08	Nut and bolt		SK 1976	1	28	Hexagon bolt	compl. for type J	SK 2421-50	1
09	Lubrication tube	compl. with 10	SK 3108-02	1	29	Handle	for type J	SK 3105-113	1
10	Cable tie		SK 3121-13	1	30	Pedestal H 150		SKE 501530001	2
11	Eye bolt	compl.	SK 2122-04	1	30	Pedestal H 172		SKE 501540001	2
12	Tension spring		SK 847	1	30	Pedestal H 185		SKE 501550001	2
13	Lock jaw	compl. with 10	SK 1489 Z	1	30	Pedestal H 205		SK 2904-105	2
14	Bolt		SK 2106-67	1	31	Collar	from xx31xxxxxx	SK 3105-95	2
15	Threaded stopper		000.010.021	1	32	Rubber bushing	compl.	SK 2905-94	2
16	Hexagon bolt	compl.	SK 3521-03	1	33	Pivot pin	with 35	SK 3104-05	2
17	Spring noose	compl.	SK 3121-59	1	34	Hexagon bolts	compl.	SK 3121-071	2
18	Latch	compl.	SK 3121-52	1	35	Plug		JS 1101-12	2
19	Double tension spring		SK 3105-20	1					

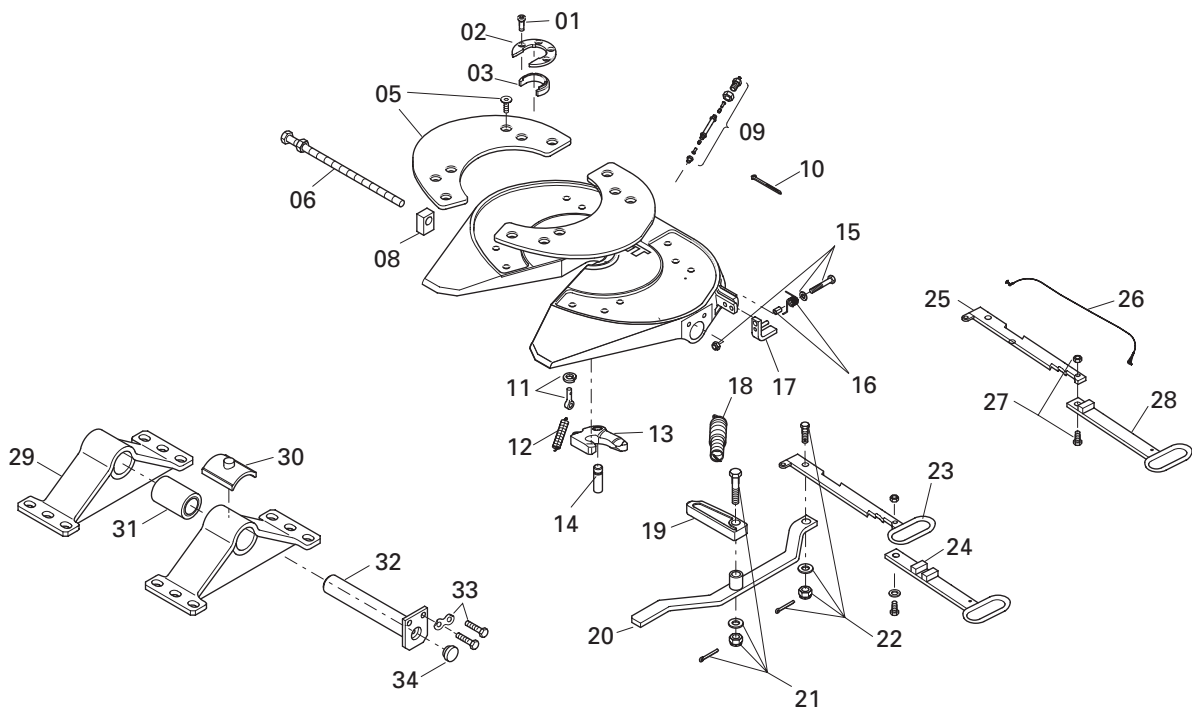
Repair and retrofit kits



Item	Description	Order No.	Item	Description	Order No.
01, 03, 09, 14, 12, 13	Repair kit for lock to xx31xxxxxx	SK 3221-50 Z	31, 32, 33, 34	Repair kit for bearing from xx31xxxxxx	SK 3121-61
09, 14, 12, 13	Repair kit for lock	SK 3221-52 Z	25, 27, 28	Retrofit kit handle extension compl., for type C/CZ	SK 3121-063
01, 03, 09, 12, 13, 14, 23	Repair kit for lock to xx31xxxxxx	SK 3121-56 Z	01, 03, 09, 10, 12, 13,		
01, 02, 03, 09, 12, 13, 14, 23	Repair kit for lock from xx34xxxxxx	SK 3121-60 Z	14, 20, 22, 23	Repair kit for lock to xx31xxxxxx	SK 3121-072 Z
32, 33, 34	Repair kit for bearing to xx28xxxxxx	SK 3121-58			

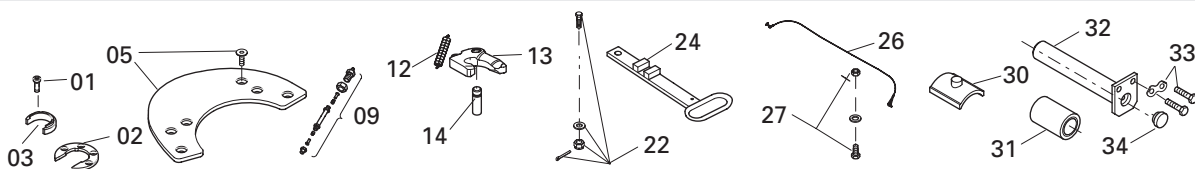
JSK 37 EW

Spare parts



Item	Description	Remark	Order No.	per JSK	Item	Description	Remark	Order No.	per JSK
01	Socket head bolt		SK 3121-55	4	20	Lever		SK 3105-18	1
02	Mounting ring		SK 3105-93	1	21	Bar bolt	compl.	SK 3221-01	1
03	Wearing part		SK 3105-92	1	22	Hexagon bolt	compl.	SK 1513	1
05	Slide washer, left	compl. with screws	SK 3105-129L	1	23	Handle	standard vers.	SK 3105-15	1
05	Slide washer, right	compl. with screws	SK 3105-129R	1	24	Handle extension	only in retrofit kit		
06	Adjusting screw		SK 3105-151	1	25	Locking bar	for type J	SK 3105-115	1
08	Guide		SK 3205-07	1	26	Latch cord	compl. for type J	SK 3521-02	1
09	Lubrication tube	compl. with 10	SK 3108-02	1	27	Hexagon bolt	compl. for type J	SK 2421-50	1
10	Cable tie		SK 3121-13	1	28	Handle	for type J	SK 3105-113	1
11	Eye bolt	compl.	SK 2122-04	1	29	Pedestal H 150		SKE 501530001	2
12	Tension spring		SK 847	1	29	Pedestal H 172		SKE 501540001	2
13	Lock jaw	compl. with 10	SK 1489 Z	1	29	Pedestal H 185		SKE 501550001	2
14	Bolt		SK 2106-67	1	29	Pedestal H 205		SK 2904-105	2
15	Hexagon bolt	compl.	SK 3521-03	1	30	Collar		SK 3105-95	2
16	Spring noose	compl.	SK 3121-59	1	31	Rubber bushing	compl.	SK 2905-94	2
17	Latch	compl.	SK 3121-52	1	32	Pivot pin	with 34	SK 3104-05	2
18	Double tension spring		SK 3105-20	1	33	Hexagon bolts	compl.	SK 3121-071	2
19	Locking bolt		SK 3205-06	1	34	Plug		JS 1101-12	2

Repair and retrofit kits

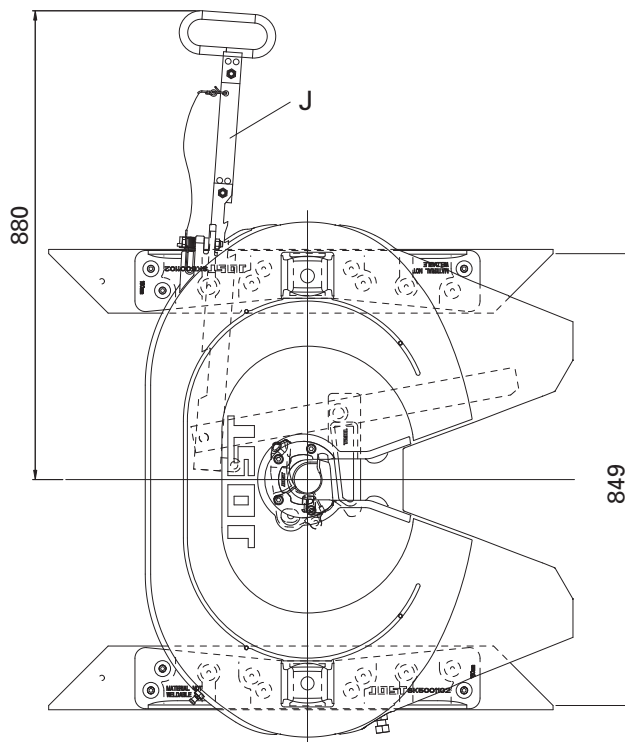
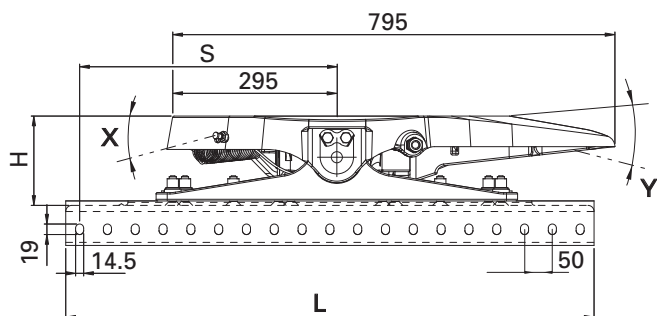


Item	Description	Order No.	Item	Description	Order No.
09, 12, 13, 14	Repair kit for lock	SK 3221-52 Z	30, 31, 32, 33, 34	Repair kit for bearing	SK 3121-61
01, 02, 03, 09, 12, 13, 14, 22	Repair kit for lock	SK 3121-60 Z	24, 26, 27	Retrofit kit handle extension compl.	SK 3121-063
05	Top plate liner repair kit with screws	SK 3106-003			

Fifth wheel couplings JSK 37 EA

Technical Specification

Fifth wheel coupling with bolt support for fitting to the frame or subframe of the tractor without a mounting plate. Suitable for 2" king pins (50) as per DIN 74080 / ISO 337 and steering wedges as per 94/20/EC, DIN 74085.



Selection table / Versions available

Order No.	H (mm)	S (mm)	L (mm)	X	Y	D value (kN)	Imposed load U (t)	Weight (kg)	Approval (EC)	ZL	Oval hole versions*
JSK 37 EA1530AW	140	462.5	950	13°	10°	135	18	158.0	e1 00-0293	J	E
JSK 37 EA1530AY	140	437.5	950	13°	10°	135	18	158.0	e1 00-0293	J	F
JSK 37 EA2130AW	160	462.5	950	15°	12°	135	18	161.0	e1 00-0293	J	E
JSK 37 EA2130AY	160	437.5	950	15°	12°	135	18	161.0	e1 00-0293	J	F
JSK 37 EA4430AW	200	462.5	950	15°	12°	135	18	167.0	e1 00-0293	J	E
JSK 37 EA4430AY	200	437.5	950	15°	12°	135	18	167.0	e1 00-0293	J	F
JSK 37 EA5830AW	230	462.5	950	15°	15°	135	18	172.5	e1 00-0293	J	E
JSK 37 EA5830AY	230	437.5	950	15°	15°	135	18	172.5	e1 00-0293	J	F

Explanations:

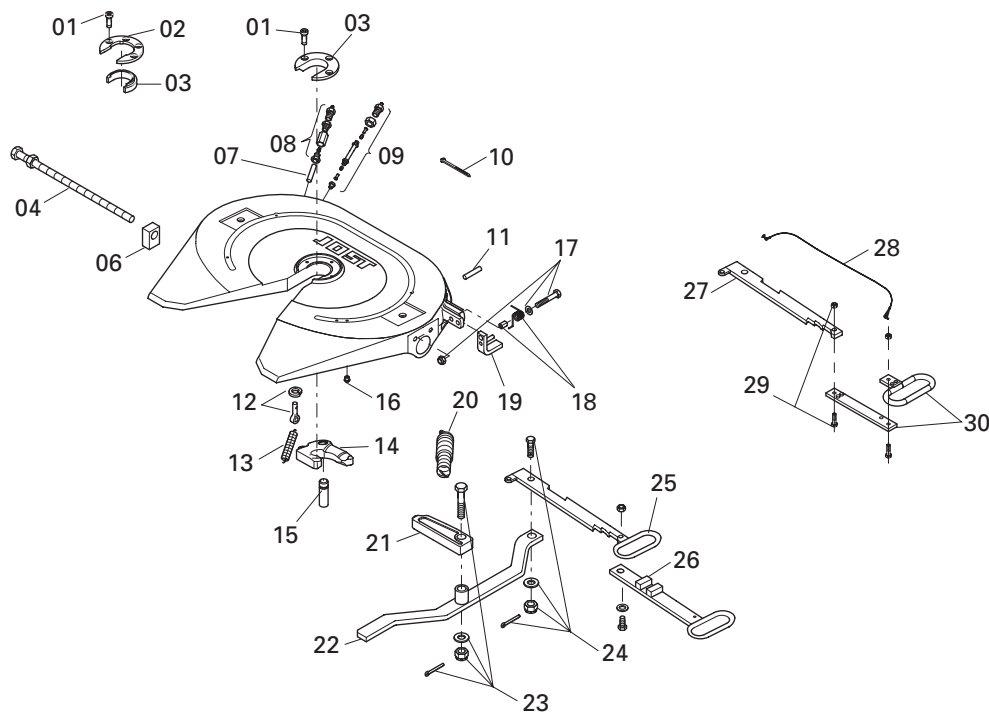
ZL / Handle length

J = Long handle

* Note: see pedestal versions/oval hole versions

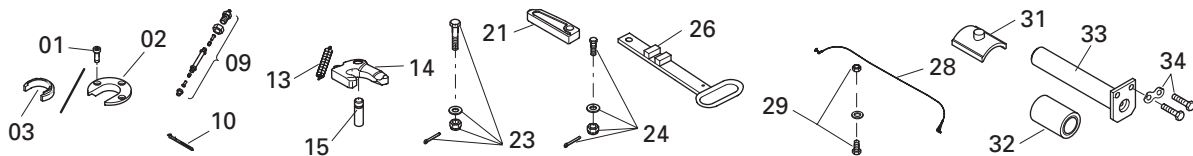
JSK 37 EA

Spare parts



Item	Description	Remark	Order No.	per JSK	Item	Description	Remark	Order No.	per JSK
01	Socket head bolt	to xx31xxxxx	SK 2121-07	3	16	Threaded stopper		000.010.021	4
01	Socket head bolt	from xx34xxxxxx	SK 3121-55	4	17	Hexagon bolt	compl.	SK 3521-03	4
02	Mounting ring	from xx34xxxxxx	SK 3105-93	1	18	Spring noose with spacer	to xx24xxxxxx	SK 3521-09	1
03	Wearing ring	to xx31xxxxxx	SK 2105-19	1	18	Spring noose	compl. from xx28xxxxxx	SK 3121-59	1
03	Wearing part	from xx34xxxxxx	SK 3105-92	1	19	Latch	compl.	SK 3121-52	1
04	Adjusting screw	from xx31xxxxxx	SK 3105-151	1	20	Double tension spring		SK 3105-20	1
04	Adjusting screw	to xx28xxxxxx	SK 3105-150	1	21	Locking bolt		SK 3205-06	1
06	Guide		SK 3205-07	1	22	Lever		SK 3105-18	1
07	Lubrication tube	to xx31xxxxxx	SK 1989	1	23	Bar bolt	compl.	SK 3221-01	1
08	Nut and bolt	to xx31xxxxxx	SK 1976	1	24	Hexagon bolt	compl.	SK 1513	1
09	Lubrication tube	compl. with 10	SK 3108-02	1	25	Handle	standard vers.	SK 3105-15	1
10	Cable tie		SK 3121-13	1	26	Handle extension	only in retrofit kit		
11	Clamping sleeve	not appl. from xx28xxxxxx	SK 3521-07	1	27	Locking bar	for type J	SK 3105-115	1
12	Eye bolt	compl.	SK 2122-04	1	28	Latch cord	compl. for type J	SK 3521-02	1
13	Tension spring		SK 847	1	29	Hexagon bolt	compl. for type J	SK 2421-50	2
14	Lock jaw	compl. with 10	SK 1489 Z	1	30	Handle	compl. with 28 + 29	SK 3121-064	1
15	Bolt		SK 2106-67	1					

Repair and retrofit kits



Item	Description	Order No.	Item	Description	Order No.
01, 03, 09, 13, 14, 15	Repair kit for lock to xx31xxxxx	SK 3221-50 Z	31, 32, 33, 34	Repair kit for bearing from xx31xxxxxx	SK 3121-61
09, 13, 14, 15	Repair kit for lock	SK 3221-52 Z	26, 28, 29	Retrofit kit handle extension compl.	SK 3121-063
01, 03, 09, 13, 14, 15, 24	Repair kit for lock to xx31xxxxx	SK 3121-56 Z	01, 03, 09, 10, 13, 14,		
01, 02, 03, 09, 13, 14, 15, 24	Repair kit for lock from xx34xxxxxx	SK 3121-60 Z	15, 21, 23, 24	Repair kit for lock to xx31xxxxx	SK 3121-072 Z
32, 33, 34	Repair kit for bearing to xx28xxxxxx	SK 3121-58			

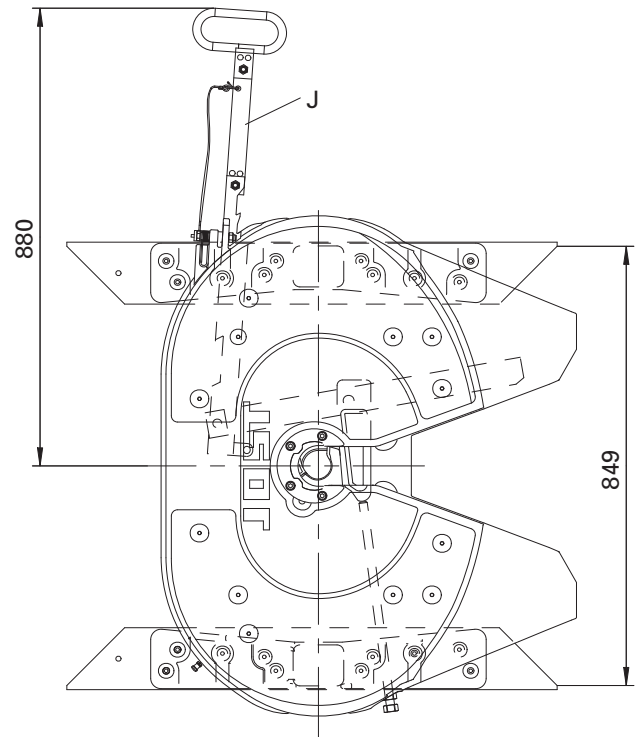
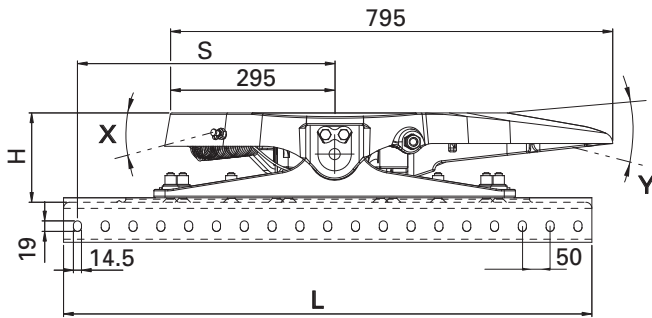
Note: see pedestal versions/oval hole versions

Fifth wheel couplings JSK 37 EAW

Technical Specification

Fifth wheel coupling with bolt support for fitting to the frame or subframe of the tractor without a mounting plate.

Suitable for 2" king pins (50) as per DIN 74080 / ISO 337 and steering wedges as per 94/20/EC, DIN 74085.



Selection table / Versions available

Order No.	H (mm)	S (mm)	L (mm)	X	Y	D value (kN)	Imposed load U (t)	Weight (kg)	Approval (EC)	ZL	Oval hole versions*
JSK 37 EA1502AW	140	462.5	950	13°	10°	135	18	158.0	e1 00-0293	J	E
JSK 37 EA1502AY	140	437.5	950	13°	10°	135	18	158.0	e1 00-0293	J	F
JSK 37 EA2102AW	160	462.5	950	15°	12°	135	18	161.0	e1 00-0293	J	E
JSK 37 EA2102AY	160	437.5	950	15°	12°	135	18	161.0	e1 00-0293	J	F
JSK 37 EA4402AW	200	462.5	950	15°	12°	135	18	167.0	e1 00-0293	J	E
JSK 37 EA4402AY	200	437.5	950	15°	12°	135	18	167.0	e1 00-0293	J	F
JSK 37 EA5802AW	230	462.5	950	15°	15°	135	18	172.5	e1 00-0293	J	E
JSK 37 EA5802AY	230	437.5	950	15°	15°	135	18	172.5	e1 00-0293	J	F

Explanations:

ZL / Handle length

J = Long handle

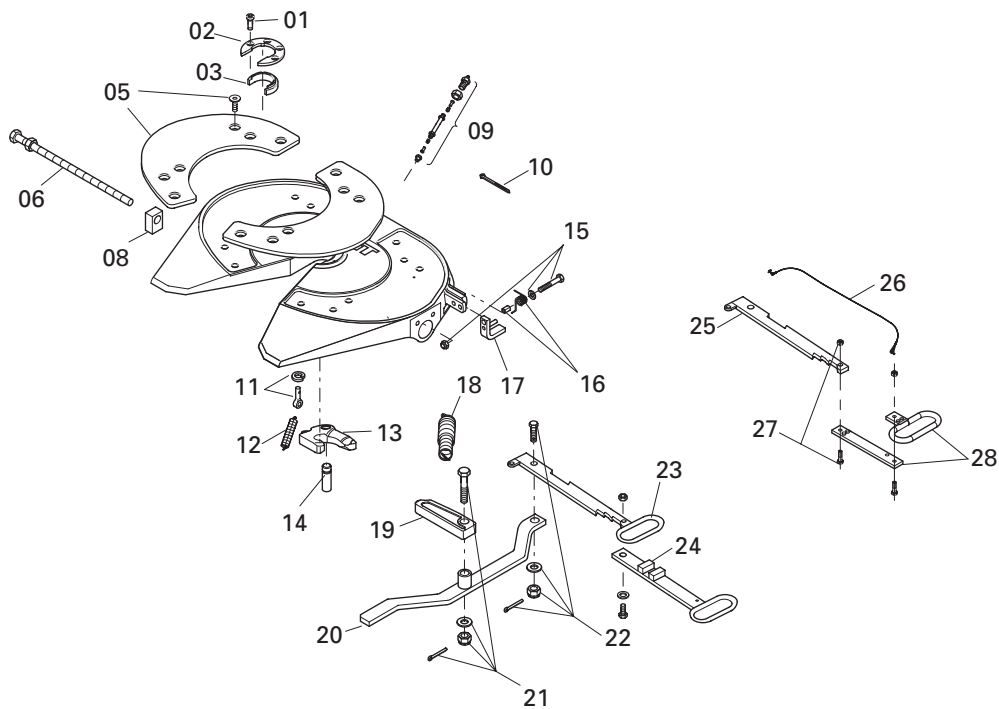
* Note: see pedestal versions/oval hole versions

available with



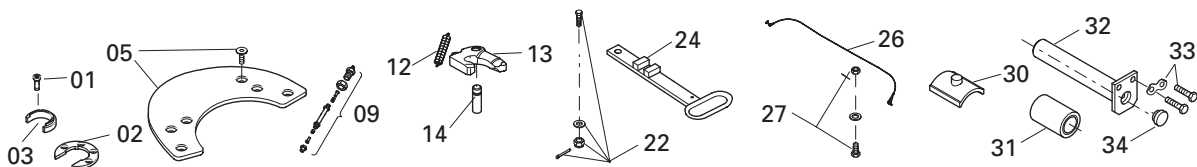
JSK 37 EAW

Spare parts



Item	Description	Remark	Order No.	per JSK	Item	Description	Remark	Order No.	per JSK
01	Socket head bolt		SK 3121-55	4	16	Spring noose	compl.	SK 3121-59	1
02	Mounting ring		SK 3105-93	1	17	Latch	compl.	SK 3121-52	1
03	Wearing part		SK 3105-92	1	18	Double tension spring		SK 3105-20	1
05	Slide washer, left	compl. with screws	SK 3105-129L	1	19	Locking bolt		SK 3205-06	1
05	Slide washer, right	compl. with screws	SK 3105-129R	1	20	Lever		SK 3105-18	1
06	Adjusting screw		SK 3105-151	1	21	Bar bolt	compl.	SK 3221-01	1
08	Guide		SK 3205-07	1	22	Hexagon bolt	compl.	SK 1513	1
09	Lubrication tube	compl. with 10	SK 3108-02	1	23	Handle	standard vers.	SK 3105-15	1
10	Cable tie		SK 3121-13	1	24	Handle extension	only in retrofit kit		
11	Eye bolt	compl.	SK 2122-04	1	25	Locking bar	for type J	SK 3105-115	1
12	Tension spring		SK 847	1	26	Latch cord	compl. for type J	SK 3521-02	1
13	Lock jaw	compl. with 10	SK 1489 Z	1	27	Hexagon bolt	compl. for type J	SK 2421-50	2
14	Bolt		SK 2106-67	1	28	Handle	compl. with 26 + 27	SK 3121-064	1
15	Hexagon bolt	compl.	SK 3521-03	1					

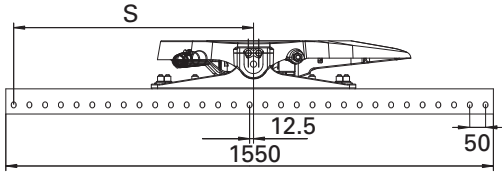
Repair and retrofit kits



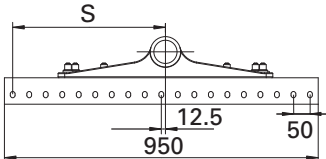
Item	Description	Order No.	Item	Description	Order No.
09, 12, 13, 14	Repair kit for lock	SK 3221-52 Z	30, 31, 32, 33, 34	Repair kit for bearing	SK 3121-61
01, 02, 03, 09, 12, 13, 14, 22	Repair kit for lock	SK 3121-60 Z	24, 26, 27	Retrofit kit handle extension compl.	SK 3121-063
05	Top plate liner repair kit with screws	SK 3106-003			

Note: see pedestal versions / oval hole versions

JSK 37 EA / EAW

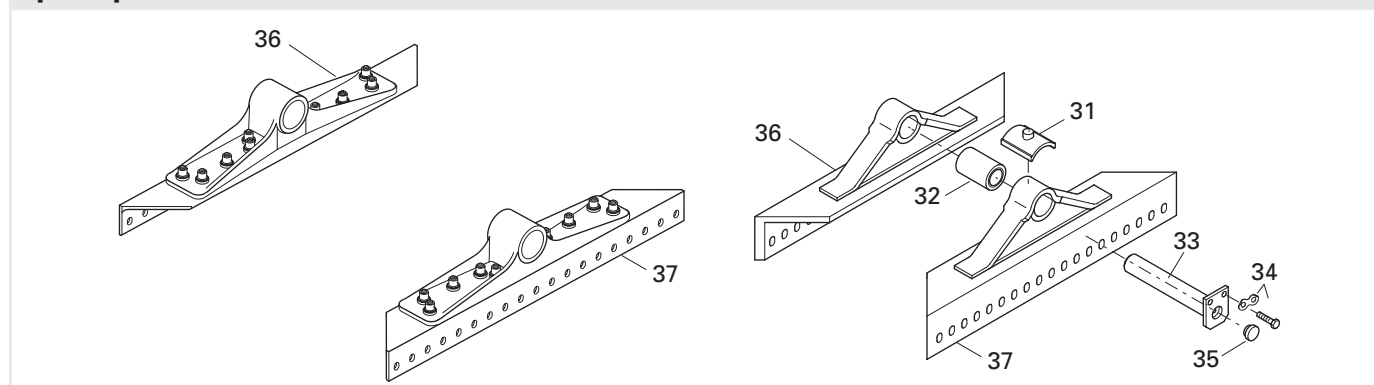
Pedestal versions	Oval hole versions
	<p>A: S = 762,5 mm</p> <p>B: S = 737,5 mm</p>

JSK 37 DA / JSK 37 EA / EAW

Pedestal versions	Oval hole versions
	<p>E: S = 462,5 mm</p> <p>F: S = 437,5 mm</p>

Note: Moving the right and left pedestals to the opposite sides turns version A into version B, version E into version F and vice versa. This displaces the fifth wheel coupling by 25 mm from the tractor's mounting hole pattern.

Spare parts



Item	Description	Remark	Order No.	per JSK	Item	Description	Remark	Order No.	per JSK
31	Collar	from xx31xxxxxx	SK 3105-95	2	36	Pedestal H 140	A + B	SKE 500620320	1
32	Rubber bushing	compl.	SK 2905-94	2	36	Pedestal H 160	A + B	SKE 500620220	1
33	Pivot pin	+ 35, JSK 36 DA	SK 2904-99	2	36	Pedestal H 200	A + B	SKE 500620120	1
33	Pivot pin	with 35, JSK 37 E/EW	SK 3104-05	2	36	Pedestal H 140*	E + F	SKE 500010320	1
34	Hexagon bolts	compl., JSK 37 E/EW	SK 3121-071	2	36	Pedestal H 160	E + F	SKE 500010220	1
34	Hexagon bolts	compl., JSK 36 DA	SK 2921-038	2	36	Pedestal H 200	E + F	SKE 500010120	1
35	Plug		JS 1101-12	2	36	Pedestal H 230	E + F	SKE 500010020	1

* Note: Not suitable for JSK 36 DA

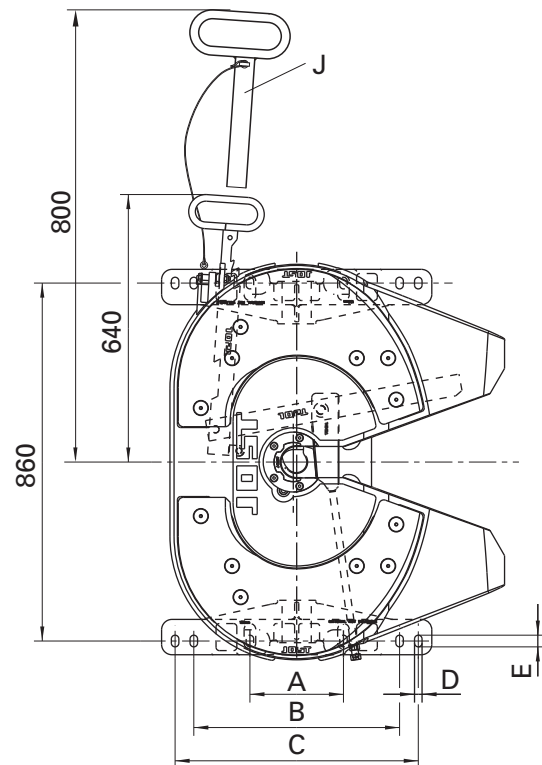
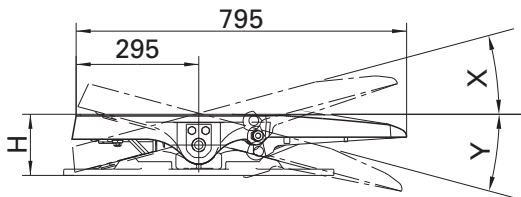
Fifth wheel couplings JSK 37 ER / ERW

Technical Specification

Fifth wheel coupling with pivot bearing for fitting to the frame or mounting angles of the tractor without a mounting plate.

The fifth wheel coupling complies with the following directives / standards:

94/20/EC - Class G50, DIN 74081, ISO 3842. Suitable for mounting 2" king pins (50) as per 94/20/EC, DIN 74080, ISO 337 and steering wedges as per 94/20/EC, DIN 74085.



Selection table / Versions available

Order No.	H (mm)	LB	A (mm)	B (mm)	C (mm)	D (mm)	E (mm)	X	Y	Weight (kg)	WA	ZL
JSK37ER190301*	148	01	200		600	22	32	12°	12°	140.0	Z	J
JSK37ER190901*	148	01	200		600	22	32	12°	12°	140.0	W	J
JSK37ER190302*	148	02	225	495	585	18	28	12°	12°	140.0	Z	J
JSK37ER400301	190	01	200		600	22	32	12°	12°	150.0	Z	J
JSK37ER400901	190	01	200		600	22	32	12°	12°	150.0	W	J
JSK37ER400302	190	02	225	495	585	18	28	12°	12°	150.0	Z	J
JSK37ER570301	225	01	200		600	22	32	12°	12°	153.0	Z	J
JSK37ER570901	225	01	200		600	22	32	12°	12°	153.0	W	J
JSK37ER570302	225	02	225	495	585	18	28	12°	12°	153.0	Z	J
JSK37ER570103	225	07	200	500	600	18	20	12°	12°	159.0	Z	K
JSK37ER570203	225	07	200	500	600	18	20	12°	12°	159.0	W	K

Explanations:

WA / Maintenance

Z = Prepared for central lubrication

W = Low-maintenance version

ZL / Handle length

J = Long handle

K = Short handle

LB / Hole pattern

01 = Oval hole 22 x 32 mm (Daimler)

02 = Oval hole 18 x 28 mm (Iveco)

07 = Oval hole 18 x 20 mm (DAF)

* Note: Vehicle manufacturers stipulate an additional frame plate as reinforcement for this mounting height. Please follow the mounting guidelines given by the vehicle manufacturer.

Technical Data

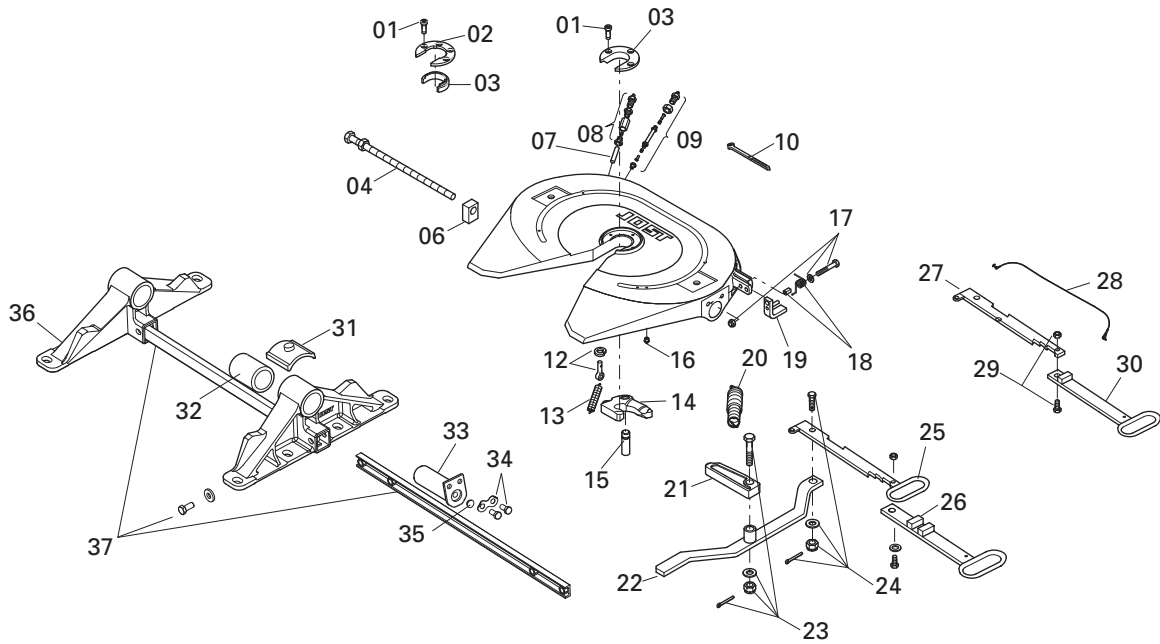
D value (kN)	Imposed load U (t)	Approval (EC)
152.0	20	e1 00-0294

available with



JSK 37 ER

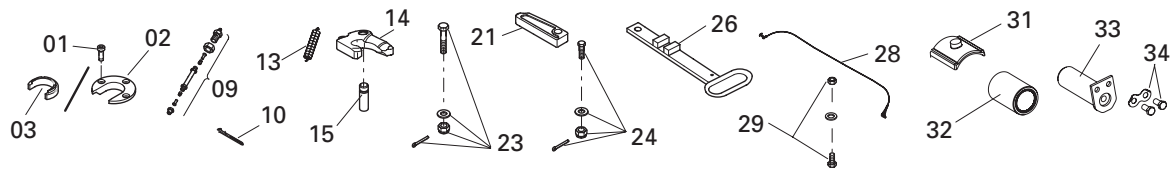
Spare parts



Item	Description	Remark	Order No.	per JSK	Item	Description	Remark	Order No.	per JSK
01	Socket head bolt	to xx31xxxxxx	SK 2121-07	3	22	Lever		SK 3105-18	1
01	Socket head bolt	from xx34xxxxxx	SK 3121-55	4	23	Bar bolt	compl.	SK 3221-01	1
02	Mounting ring	from xx34xxxxxx	SK 3105-93	1	24	Hexagon bolt	compl.	SK 1513	1
03	Wearing ring	to xx31xxxxxx	SK 2105-19	1	25	Handle	standard vers.	SK 3105-15	1
03	Wearing part	from xx34xxxxxx	SK 3105-92	1	26	Handle extension	only in retrofit kit		
04	Adjusting screw		SK 3105-151	1	27	Locking bar	for type J	SK 3105-115	1
06	Guide		SK 3205-07	1	28	Latch cord	compl. for type J	SK 3521-02	1
07	Lubrication tube	to xx31xxxxxx	SK 1989	1	29	Hexagon bolt	compl. for type J	SK 2421-50	1
08	Nut and bolt	to xx31xxxxxx	SK 1976	1	30	Handle	for type J	SK 3105-113	1
09	Lubrication tube	compl. with 10	SK 3108-02	1	31	Collar		SK 3105-95	2
10	Cable tie		SK 3121-13	1	32	Rubber bushing	compl.	SK 2905-94	2
12	Eye bolt	compl.	SK 2122-04	1	33	Pivot pin	with 35	SK 3104-05	2
13	Tension spring		SK 847	1	34	Hexagon bolts	compl.	SK 3121-071	2
14	Lock jaw	compl. with 10	SK 1489 Z	1	35	Plug		JS 1101-12	2
15	Bolt		SK 2106-67	1	36	Pedestal H 148*	for version 01	SK 3104-40-01	2
16	Threaded stopper		000.010.021	4	36	Pedestal H 148*	for version 02	SK 3104-40-02	2
17	Hexagon bolt	compl.	SK 3521-03	1	36	Pedestal H 190	for version 01	SK 3104-41-01	2
18	Spring noose	compl.	SK 3121-59	1	36	Pedestal H 190	for version 02	SK 3104-41-02	2
19	Latch	compl.	SK 3121-52	1	36	Pedestal H 225	for version 01	SK 3104-42-01	2
20	Double tension spring		SK 3105-20	1	36	Pedestal H 225	for version 02	SK 3104-42-02	2
21	Locking bolt		SK 3205-06	1	37	Traverse	compl. f. H 190 + H 225	SK 3104-47	1

* Note: Vehicle manufacturers stipulate an additional frame plate as reinforcement for this mounting height. Please follow the mounting guidelines given by the vehicle manufacturer.

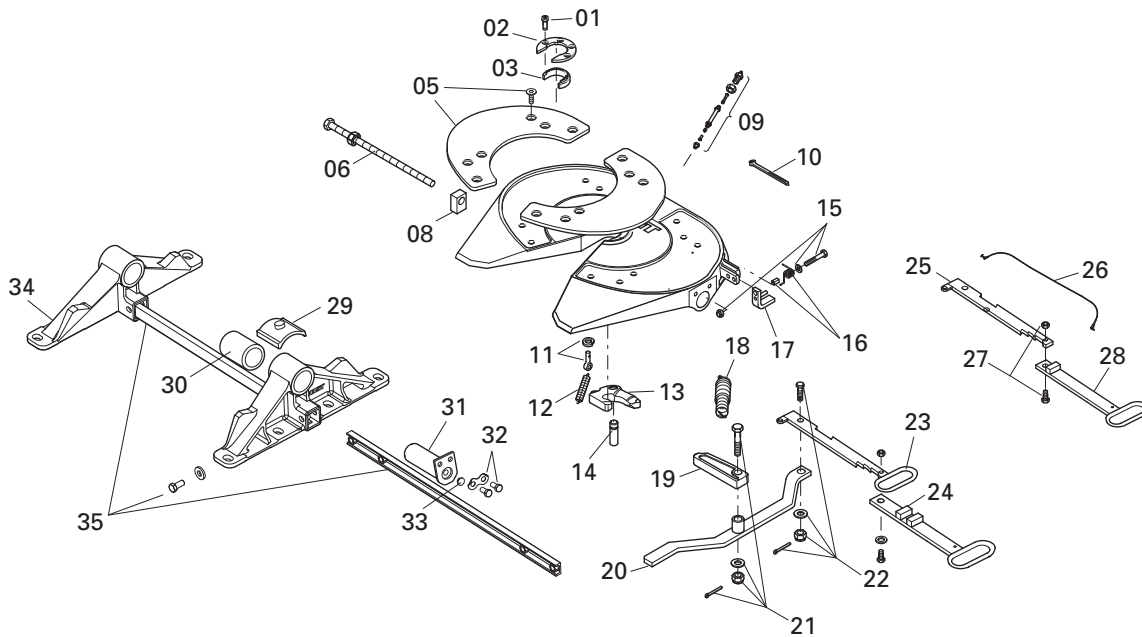
Repair and retrofit kits



Item	Description	Order No.	Item	Description	Order No.
01, 03, 09, 13, 14, 15	Repair kit for lock to xx31xxxxxx	SK 3221-50 Z	31, 32, 33, 34	Repair kit for bearing	SK 3121-61
09, 13, 14, 15	Repair kit for lock	SK 3221-52 Z	26, 28, 29	Retrofit kit handle extension compl.	SK 3121-063
01, 03, 09, 13, 14, 15, 24	Repair kit for lock to xx31xxxxxx	SK 3121-56 Z	01, 03, 09, 10, 13, 14,		
01, 02, 03, 09, 12, 13, 14, 23	Repair kit for lock from xx34xxxxxx	SK 3121-60 Z	15, 21, 23, 24	Repair kit for lock to xx31xxxxxx	SK 3121-072 Z

JSK 37 ERW

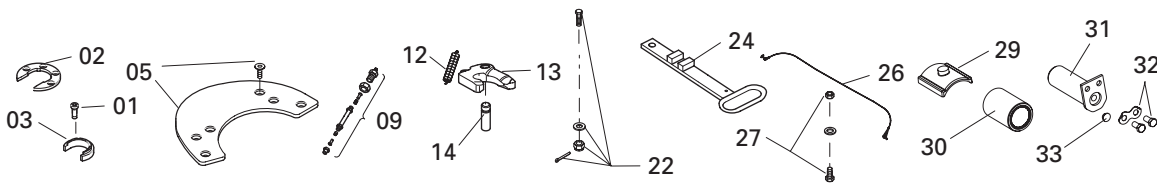
Spare parts



Item	Description	Remark	Order No.	per JSK	Item	Description	Remark	Order No.	per JSK
01	Socket head bolt		SK 3121-55	4	22	Hexagon bolt	compl.	SK 1513	1
02	Mounting ring		SK 3105-93	1	23	Handle	standard vers.	SK 3105-15	1
03	Wearing part		SK 3105-92	1	24	Handle extension	only in retrofit kit		
05	Slide washer, left	compl. with screws	SK 3105-129L	1	25	Locking bar	for type J	SK 3105-115	1
05	Slide washer, right	compl. with screws	SK 3105-129R	1	26	Latch cord	compl. for type J	SK 3521-02	1
06	Adjusting screw		SK 3105-151	1	27	Hexagon bolt	compl. for type J	SK 2421-50	1
08	Guide		SK 3205-07	1	28	Handle	for type J	SK 3105-113	1
09	Lubrication tube	compl. with 10	SK 3108-02	1	29	Collar		SK 3105-95	2
10	Cable tie		SK 3121-13	1	30	Rubber bushing	compl.	SK 2905-94	2
11	Eye bolt	compl.	SK 2122-04	1	31	Pivot pin	with 33	SK 3104-05	2
12	Tension spring		SK 847	1	32	Hexagon bolts	compl.	SK 3121-071	2
13	Lock jaw	compl. with 10	SK 1489 Z	1	33	Plug		JS 1101-12	2
14	Bolt		SK 2106-67	1	34	Pedestal H 148*	for version 01	SK 3104-40-01	2
15	Hexagon bolt	compl.	SK 3521-03	1	34	Pedestal H 148*	for version 02	SK 3104-40-02	2
16	Spring noose	compl.	SK 3121-59	1	34	Pedestal H 190	for version 01	SK 3104-41-01	2
17	Latch	compl.	SK 3121-52	1	34	Pedestal H 190	for version 02	SK 3104-41-02	2
18	Double tension spring		SK 3105-20	1	34	Pedestal H 225	for version 01	SK 3104-42-01	2
19	Locking bolt		SK 3205-06	1	34	Pedestal H 225	for version 02	SK 3104-42-02	2
20	Lever		SK 3105-18	1	35	Traverse	compl. f. H 190 + H 225	SK 3104-47	1
21	Bar bolt	compl.	SK 3221-01	1					

* Note: Vehicle manufacturers stipulate an additional frame plate as reinforcement for this mounting height. Please follow the mounting guidelines given by the vehicle manufacturer.

Repair and retrofit kits



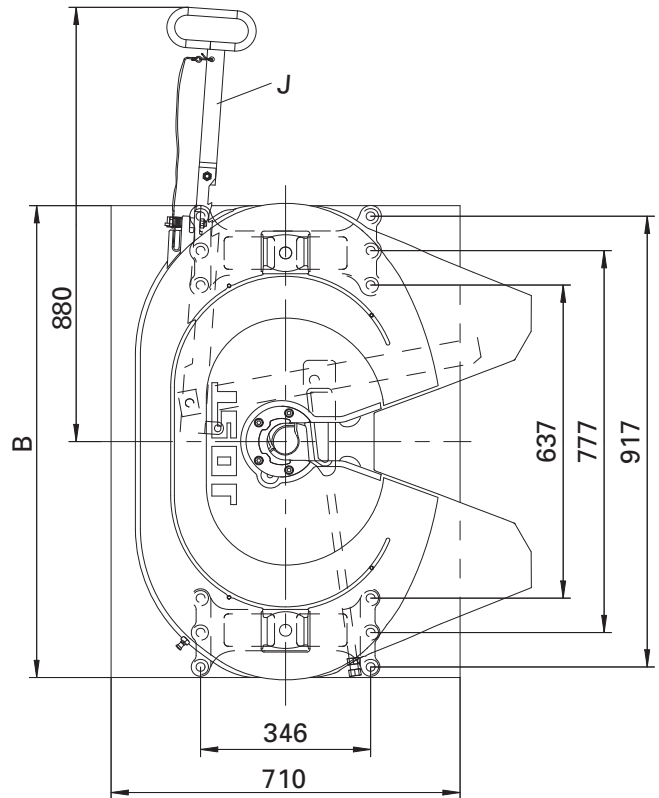
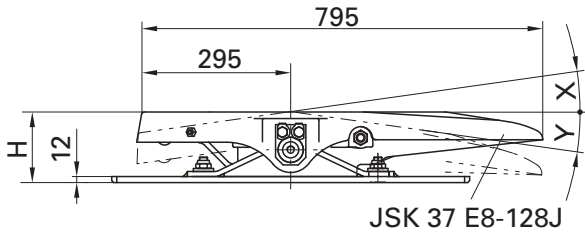
Item	Description	Order No.	Item	Description	Order No.
09, 12, 13, 14	Repair kit for lock	SK 3221-52 Z	29, 30, 31, 32, 33	Repair kit for bearing	SK 3121-61
01, 02, 03, 09, 12, 13, 14, 22	Repair kit for lock	SK 3121-60 Z	24, 26, 27	Retrofit kit handle extension compl.	SK 3121-063
05	Top plate liner repair kit with screws	SK 3106-003			

Fifth wheel couplings JSK 37 ME140 / ME140W

Technical Specification

Pivot-mounted fifth wheel coupling (JSK 37 E8-128J with JOST oval hole and integrated mounting plate) and very low mounting height of 140 mm. In spite of the low mounting height, there is a pitching angle of $\pm 8^\circ$.

Suitable for 2" king pins (50) as per DIN 74080 / ISO 337 and steering wedges as per DIN 74085.



Selection table / Versions available

Order No. (SK + MP)	H (mm)	B (mm)	X	Y	D value (kN)	Imposed load U (t)	Weight (kg)	Approval (EC) Fifth wheel Coupling	WA	Mounting plate
JSK 37 ME140 A1	140	960	8°	8°	126.0	15	191.0	e1 00-0294	Z	A1 (MP 0813-64)
JSK 37 ME140 A1 W	140	960	8°	8°	126.0	15	191.0	e1 00-0294	W	A1 (MP 0813-64)
JSK 37 ME140 E1	140	1050	8°	8°	126.0	15	197.0	e1 00-0294	Z	E1 (MP 0815-74)
JSK 37 ME140 E1 W	140	1050	8°	8°	126.0	15	197.0	e1 00-0294	W	E1 (MP 0815-74)

Explanations:

WA / Maintenance

Z = Prepared for central lubrication

W = Low-maintenance version

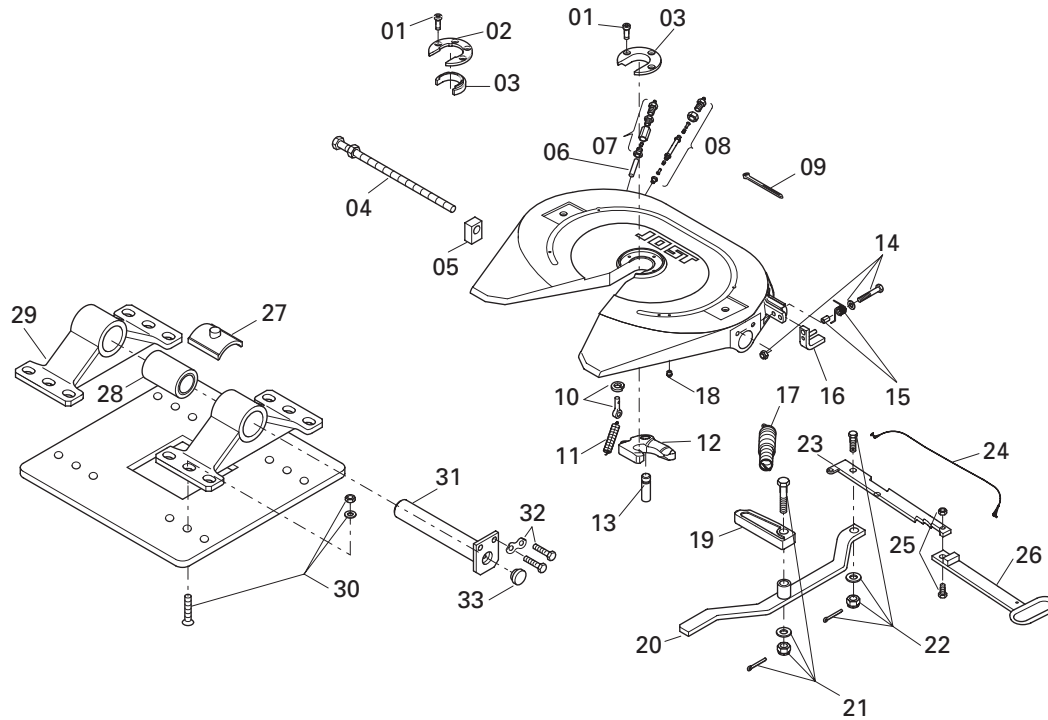
Approval EC of mounting plate e1 00-0367

available with



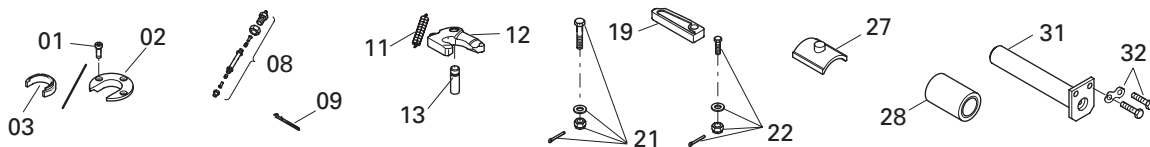
JSK 37 ME140

Spare parts



Item	Description	Remark	Order No.	per JSK	Item	Description	Remark	Order No.	per JSK
01	Socket head bolt	to xx31xxxxxx	SK 2121-07	3	17	Double tension spring		SK 3105-20	1
01	Socket head bolt	from xx34xxxxxx	SK 3121-55	4	18	Threaded stopper		000.010.021	4
02	Mounting ring	from xx34xxxxxx	SK 3105-93	1	19	Locking bolt		SK 3205-06	1
03	Wearing ring	to xx31xxxxxx	SK 2105-19	1	20	Lever		SK 3105-18	1
03	Wearing part	from xx34xxxxxx	SK 3105-92	1	21	Bar bolt	compl.	SK 3221-01	1
04	Adjusting screw		SK 3105-151	1	22	Hexagon bolt	compl.	SK 1513	1
05	Guide		SK 3205-07	1	23	Locking bar		SK 3105-115	1
06	Lubrication tube	to xx31xxxxxx	SK 1989	1	24	Latch cord	compl.	SK 3521-02	1
07	Nut and bolt	to xx31xxxxxx	SK 1976	1	25	Hexagon bolt	compl.	SK 2421-50	1
08	Lubrication tube	compl. with 09	SK 3108-02	1	26	Handle		SK 3105-113	1
09	Cable tie		SK 3121-13	1	27	Collar	from xx31xxxxxx	SK 3105-95	2
10	Eye bolt	compl.	SK 2122-04	1	28	Rubber bushing	compl.	SK 2905-94	2
11	Tension spring		SK 847	1	29	Pedestal		SK 3104-039	2
12	Lock jaw	compl. with 09	SK 1489 Z	1	30	Mounting kit		SK 3110-011	1
13	Bolt		SK 2106-67	1	31	Pivot pin	with 33	SK 3104-05	2
14	Hexagon bolt	compl.	SK 3521-03	1	32	Hexagon bolts	compl.	SK 3121-071	2
15	Spring noose	compl.	SK 3121-59	1	33	Plug		JS 1101-12	2
16	Latch	compl.	SK 3121-52	1					

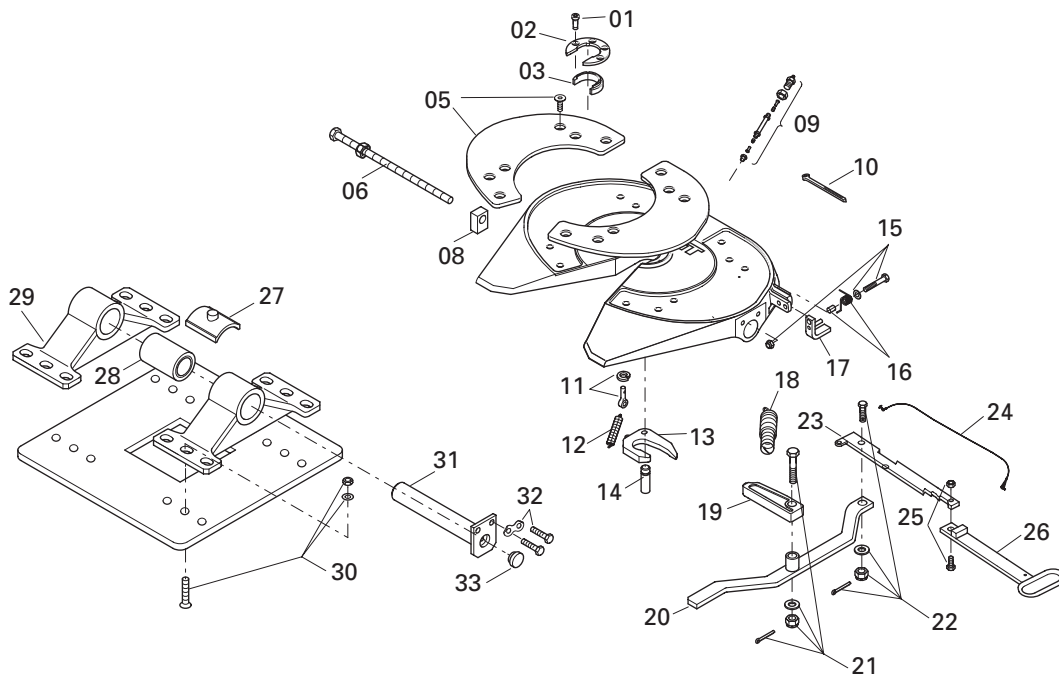
Repair and retrofit kits



Item	Description	Order No.	Item	Description	Order No.
01, 03, 08, 11, 12, 13	Repair kit for lock to xx31xxxxxx	SK 3221-50 Z	28, 31, 32	Repair kit for bearing to xx28xxxxxx	SK 3121-58
08, 11, 12, 13	Repair kit for lock	SK 3221-52 Z	27, 28, 31, 32	Repair kit for bearing from xx31xxxxxx	SK 3121-61
01, 03, 08, 11, 12, 13, 22	Repair kit for lock to xx31xxxxxx	SK 3121-56 Z	01, 03, 08, 09, 11, 12,		
01, 02, 03, 08, 11, 12, 13, 22	Repair kit for lock from xx34xxxxxx	SK 3121-60 Z	13, 19, 21, 22	Repair kit for lock to xx31xxxxxx	SK 3121-072 Z

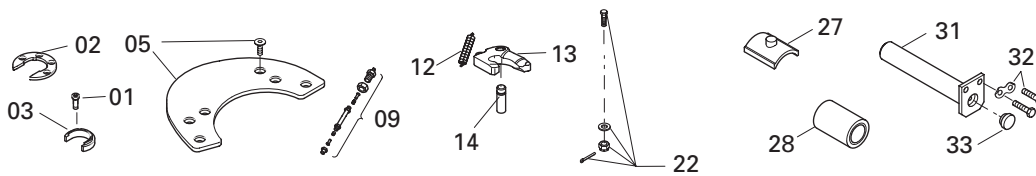
JSK 37 ME140W

Spare parts



Item	Description	Remark	Order No.	per JSK	Item	Description	Remark	Order No.	per JSK
01	Socket head bolt		SK 3121-55	4	18	Double tension spring		SK 3105-20	1
02	Mounting ring		SK 3105-93	1	19	Locking bolt		SK 3205-06	1
03	Wearing part		SK 3105-92	1	20	Lever		SK 3105-18	1
05	Slide washer, left	compl. with screws	SK 3105-129L	1	21	Bar bolt	compl.	SK 3221-01	1
05	Slide washer, right	compl. with screws	SK 3105-129R	1	22	Hexagon bolt	compl.	SK 1513	1
06	Adjusting screw		SK 3105-151	1	23	Locking bar		SK 3105-115	1
08	Guide		SK 3205-07	1	24	Latch cord	compl.	SK 3521-02	1
09	Lubrication tube	compl. with 10	SK 3108-02	1	25	Hexagon bolt	compl.	SK 2421-50	1
10	Cable tie		SK 3105-13	1	26	Handle		SK 3105-113	1
11	Eye bolt	compl.	SK 2122-04	1	27	Collar		SK 3105-95	2
12	Tension spring		SK 847	1	28	Rubber bushing	compl.	SK 2905-94	2
13	Lock jaw	compl. with 10	SK 1489 Z	1	29	Pedestal		SK 3104-039	2
14	Bolt		SK 2106-67	1	30	Mounting kit		SK 3110-011	1
15	Hexagon bolt	compl.	SK 3521-03	1	31	Pivot pin	with 33	SK 3104-05	2
16	Spring noose	compl.	SK 3121-59	1	32	Hexagon bolts	compl.	SK 3121-071	2
17	Latch	compl.	SK 3121-52	1	33	Plug		JS 1101-12	2

Repair and retrofit kits



Item	Description	Order No.	Item	Description	Order No.
09, 12, 13, 14	Repair kit for lock	SK 3221-52 Z	05	Top plate liner repair kit with screws	SK 3106-003
01, 02, 03, 09, 12, 13, 14, 22	Repair kit for lock	SK 3121-60 Z	27, 28, 31, 32, 33	Repair kit for bearing	SK 3121-61

Fifth wheel couplings

Plate mounting

JSK 42

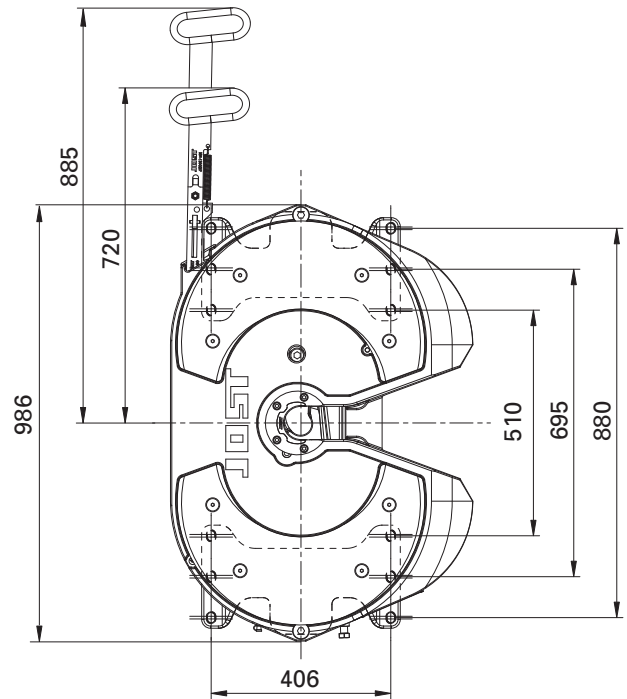
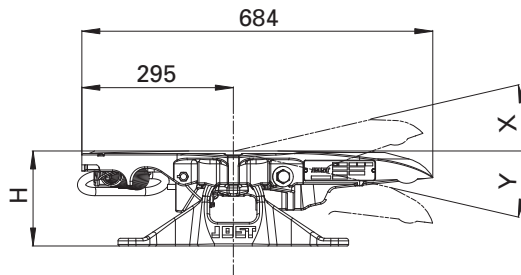
Technical Specification

Slide bearing.

The fifth wheel coupling complies with the following directives / standards:

94/20/EC - Class G50, DIN 74081, ISO 3842.

Suitable for mounting 2" king pins (50) as per 94/20/EC, DIN 74080, ISO 337 and steering wedges as per 94/20/EC, DIN 74085.



Selection table / Versions available

Plate mounting

Order No.	H (mm)	X	Y	Weight (kg)	WA	ZL
JSK 42 K0 20 34 AA	150	12°	12°	126.0	Z	K
JSK 42 K0 20 35 AA	150	12°	13°	126.0	Z	J
JSK 42 K0 20 38 AA	150	12°	12°	126.0	W	K
JSK 42 K0 20 39 AA	150	12°	12°	126.0	W	J
JSK 42 K0 38 34 AA	185	15°	15°	124.0	Z	K
JSK 42 K0 38 35 AA	185	15°	15°	124.0	Z	J
JSK 42 K0 38 38 AA	185	15°	15°	124.0	W	K
JSK 42 K0 38 39 AA	185	15°	15°	124.0	W	J

Order No.	H (mm)	X	Y	Weight (kg)	WA	ZL
JSK 42 K0 57 34 AA	225	15°	15°	129.0	Z	K
JSK 42 K0 57 35 AA	225	15°	15°	129.0	Z	J
JSK 42 K0 57 38 AA	225	15°	15°	129.0	W	K
JSK 42 K0 57 39 AA	225	15°	15°	129.0	W	J
JSK 42 K0 70 34 AA	250	15°	15°	134.0	Z	K
JSK 42 K0 70 35 AA	250	15°	15°	134.0	Z	J
JSK 42 K0 70 38 AA	250	15°	15°	134.0	W	K
JSK 42 K0 70 39 AA	250	15°	15°	134.0	W	J

Explanations:

WA / Maintenance

Z = Prepared for central lubrication

W = Low-maintenance version with top plate liners and LubeTronic

ZL / Handle length

J = Long handle

K = Short handle

Technical Data

D value (kN)	Imposed load U (t)	Approval (EC)
152.0	20	e1 00-1245

available with



FlashTronic



LubeTronic



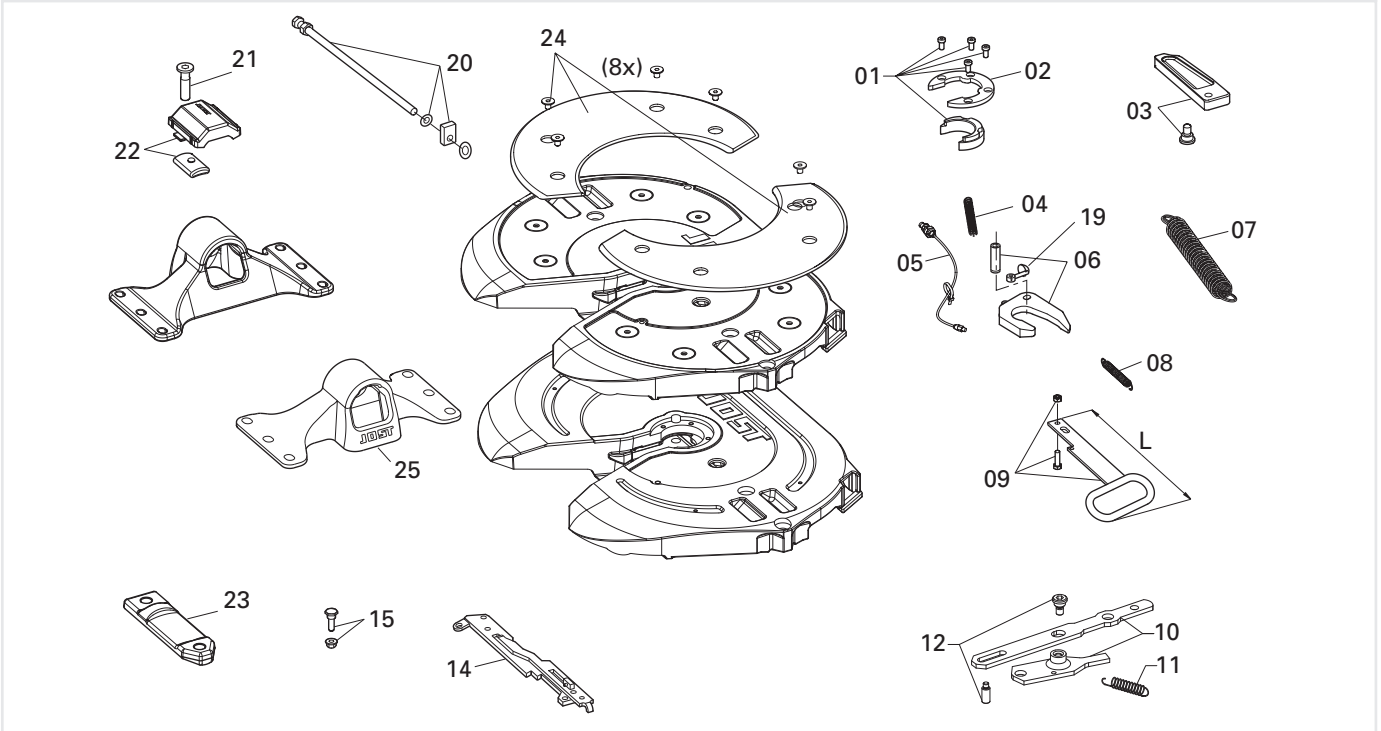
Sensonic



SKS/KKS

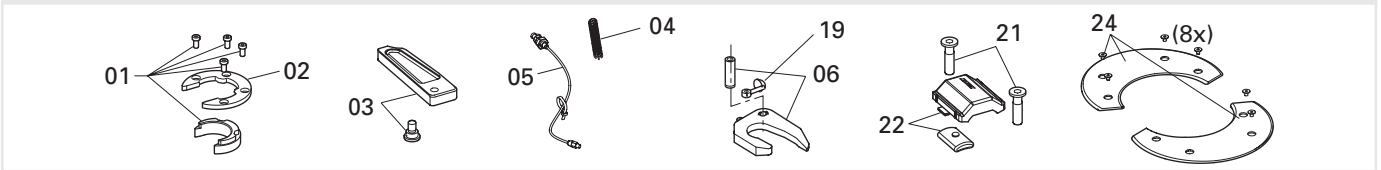
JSK 42 - Plate mounting

Spare parts



Item	Description	Remark	Order No.	per JSK	Item	Description	Remark	Order No.	per JSK
01	Wearing part + mount. bolts		SKE 001740020	1	14	Lever	with 15	SKE 001620020	1
02	Mounting ring	with 01	SK 3105-94	1	15	Lever bolt		SKE 001650020	1
03	Locking bolt + mount. bolt		SKE 001009720	1	19	Eye bolt	compl.	SK 2122-04	1
04	Tension spring		SK 847	1	20	Adjusting screw with guide		SKE 500740220	1
05	Lubrication tube	with cable tie	SK 3108-02	1	21	Bolt		SKE 001011400	4
06	Lock jaw	with 04 + 05	SK 3221-52 Z	1	22	Collar	with 21	SKE 001370020	2
07	Double tension spring		SK 3105-20	1	23	Bridge	with 21	SKE 001530220	2
08	Locking spring		SKE 001440000	1	24	Skid plate with bolts		SKE 001007020	1
09	Short handle	with 08, L = 220	SKE 001390020	1	25	Pedestal H 150	with 21	SKE 001005620	2
09	Long handle	with 08, L = 390	SKE 001390120	1	25	Pedestal H 185	with 21	SKE 001005720	2
10	Lever kit	with 11 + 12	SKE 001380020	1	25	Pedestal H 225	with 21	SKE 001005820	2
11	Lever spring		SKE 001009800	1	25	Pedestal H 250	with 21	SKE 001005920	2
12	Lever bolts		SKE 001750020	1					

Repair and retrofit kits



Item	Description	Order No.
01, 02, 03, 04, 05, 06, 19	Lock compl.	SKE 001640020
21, 22	Repair kit for bearing	SKE 001370220
24	Repair kit for skid plate	SKE 001007020

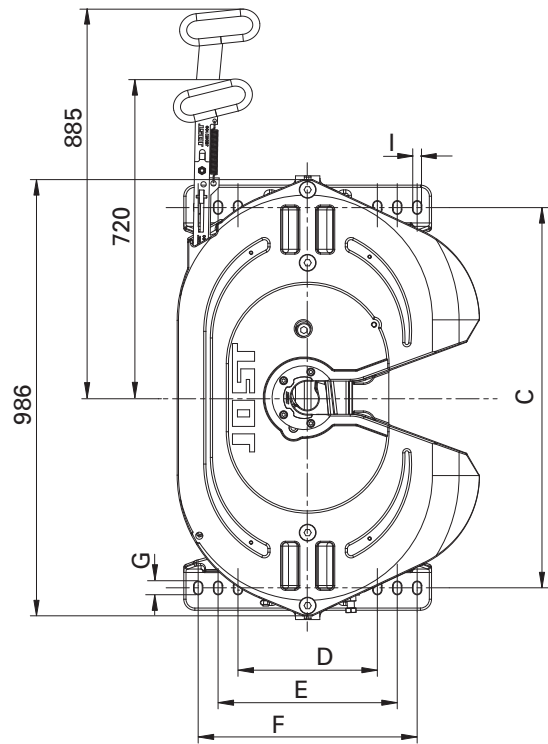
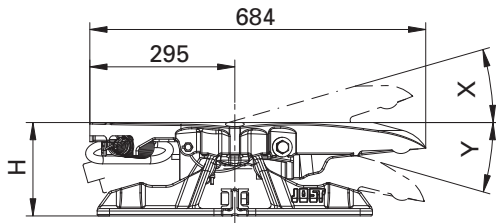
Fifth wheel couplings Chassis mounting JSK 42 K2 - K6

Technical Specification

Slide bearing.

The fifth wheel coupling complies with the following directives / standards: 94/20/EC - Class G50, for assembly on the mounting angles of tractors without assembly plates.

Suitable for mounting 2" king pins (50) as per 94/20/EC, DIN 74080, ISO 337 and steering wedges as per 94/20/EC, DIN 74085.



Selection table / Versions available

Chassis mounting

Order No.	LB	H (mm)	X	Y	Weight (kg)	WA	ZL
JSK 42 K2 20 34 AA	K2	150	13°	13°	130.0	Z	K
JSK 42 K2 20 35 AA	K2	150	13°	13°	130.0	Z	J
JSK 42 K2 20 38 AA	K2	150	13°	13°	130.0	W	K
JSK 42 K2 20 39 AA	K2	150	13°	13°	130.0	W	J
JSK 42 K2 40 34 AA	K2	190	15°	15°	136.0	Z	K
JSK 42 K2 40 35 AA	K2	190	15°	15°	136.0	Z	J
JSK 42 K2 40 38 AA	K2	190	15°	15°	136.0	W	K
JSK 42 K2 40 39 AA	K2	190	15°	15°	136.0	W	J
JSK 42 K2 57 34 AA	K2	225	15°	15°	138.0	Z	K
JSK 42 K2 57 35 AA	K2	225	15°	15°	138.0	Z	J
JSK 42 K2 57 38 AA	K2	225	15°	15°	138.0	W	K
JSK 42 K2 57 39 AA	K2	225	15°	15°	138.0	W	J
JSK 42 K3 20 34 AA	K3	150	13°	13°	128.0	Z	K
JSK 42 K3 20 35 AA	K3	150	13°	13°	128.0	Z	J
JSK 42 K3 20 38 AA	K3	150	13°	13°	128.0	W	K
JSK 42 K3 20 39 AA	K3	150	13°	13°	128.0	W	J
JSK 42 K3 40 34 AA	K3	190	15°	15°	132.0	Z	K
JSK 42 K3 40 35 AA	K3	190	15°	15°	132.0	Z	J
JSK 42 K3 40 38 AA	K3	190	15°	15°	132.0	W	K
JSK 42 K3 40 39 AA	K3	190	15°	15°	132.0	W	J

Order No.	LB	H (mm)	X	Y	Weight (kg)	WA	ZL
JSK 42 K3 57 34 AA	K3	225	15°	15°	134.0	Z	K
JSK 42 K3 57 35 AA	K3	225	15°	15°	134.0	Z	J
JSK 42 K3 57 38 AA	K3	225	15°	15°	134.0	W	K
JSK 42 K3 57 39 AA	K3	225	15°	15°	134.0	W	J
JSK 42 K4 20 34 AA	K4	150	13°	13°	130.0	Z	K
JSK 42 K4 20 35 AA	K4	150	13°	13°	130.0	Z	J
JSK 42 K4 20 38 AA	K4	150	13°	13°	130.0	W	K
JSK 42 K4 20 39 AA	K4	150	13°	13°	130.0	W	J
JSK 42 K6 20 34 AA	K6	150	13°	13°	128.0	Z	K
JSK 42 K6 20 35 AA	K6	150	13°	13°	128.0	Z	J
JSK 42 K6 20 38 AA	K6	150	13°	13°	128.0	W	K
JSK 42 K6 20 39 AA	K6	150	13°	13°	128.0	W	J
JSK 42 K6 40 34 AA	K6	190	15°	15°	132.0	Z	K
JSK 42 K6 40 35 AA	K6	190	15°	15°	132.0	Z	J
JSK 42 K6 40 38 AA	K6	190	15°	15°	132.0	W	K
JSK 42 K6 40 39 AA	K6	190	15°	15°	132.0	W	J
JSK 42 K6 57 34 AA	K6	225	15°	15°	134.0	Z	K
JSK 42 K6 57 35 AA	K6	225	15°	15°	134.0	Z	J
JSK 42 K6 57 38 AA	K6	225	15°	15°	134.0	W	K
JSK 42 K6 57 39 AA	K6	225	15°	15°	134.0	W	J

Explanations:

WA / Maintenance

Z = Prepared for central lubrication

W = Low-maintenance version

ZL / Handle length

J = Long handle

K = Short handle

available with



Oval hole

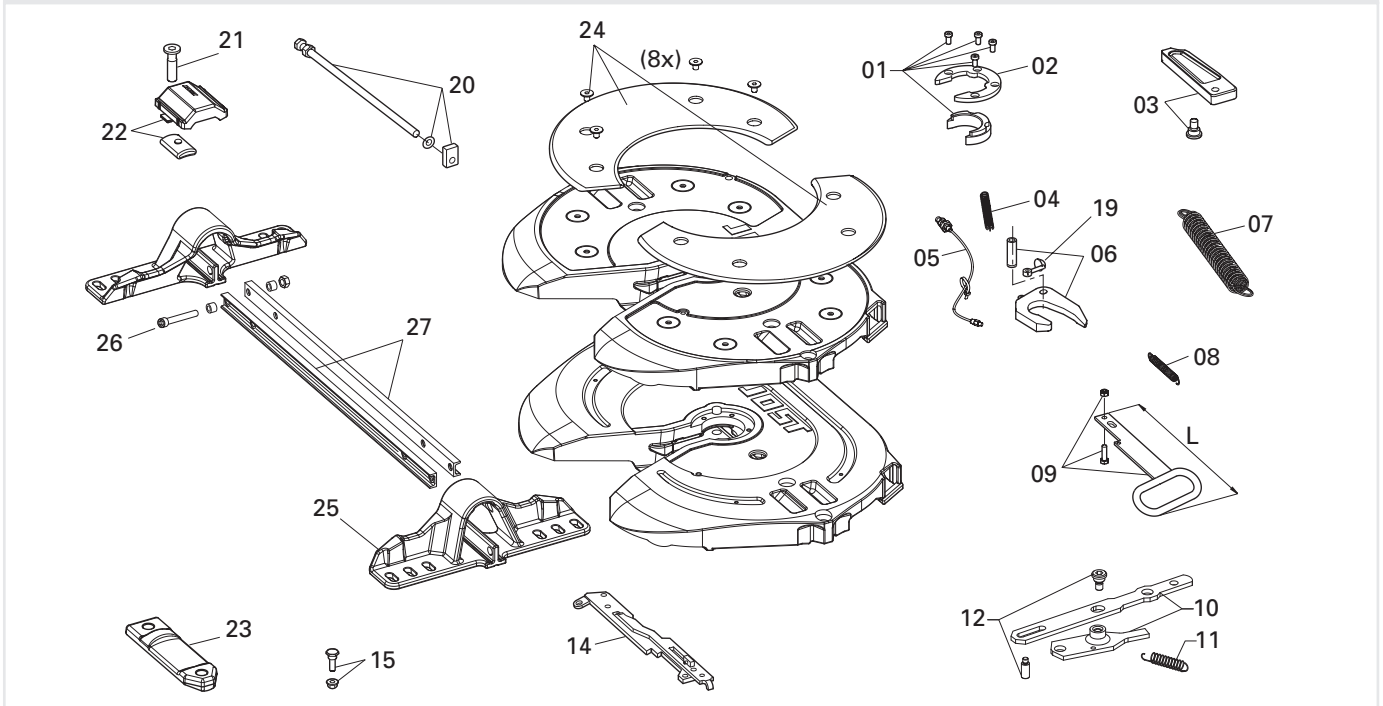
LB	Tractor	C	D	E	F	G	I
K2	MAN	880	304.5	406	507.5	42	18.0
K3	Daimler	860	300.0	-	500.0	40	22.0
K4	DAF	880	300.0	400	500.0	40	18.0
K6	Iveco	859	315.0	405	495.0	28	18.0

Technical Data

D value (kN)	Imposed load U (t)	Approval (EC)
152.0	20	e1 00-1245

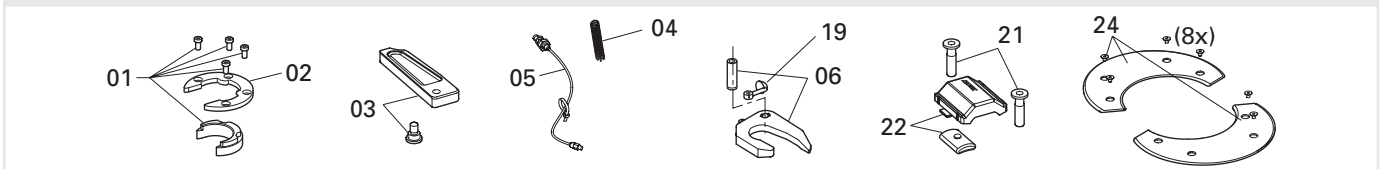
JSK 42 K2 - K6 Chassis mounting

Spare parts



Item	Description	Remark	Order No.	per JSK	Item	Description	Remark	Order No.	per JSK
01	Wearing part + mount. bolts		SKE 001740020	1	22	Collar	with 21	SKE 001370020	2
02	Mounting ring	with 01	SK 3105-94	1	23	Bridge	with 21	SKE 001530220	2
03	Locking bolt + mount. bolt		SKE 001009720	1	24	Skid plate with bolts		SKE 001007020	1
04	Tension spring		SK 847	1	25	Pedestal H 150 LB K2	with 21	SKE 001500020	2
05	Lubrication tube	with cable tie	SK 3108-02	1	25	Pedestal H 150 LB K3	with 21	SKE 001500120	2
06	Lock jaw	with 04 + 05	SK 3221-52 Z	1	25	Pedestal H 150 LB K4	with 21	SKE 001500220	2
07	Double tension spring		SK 3105-20	1	25	Pedestal H 150 LB K6	with 21	SKE 001500320	2
08	Locking spring		SKE 001440000	1	25	Pedestal H 190 LB K2	with 21	SKE 001510020	2
09	Short handle	with 08, L = 220	SKE 001390020	1	25	Pedestal H 190 LB K3	with 21	SKE 001510120	2
09	Long handle	with 08, L = 390	SKE 001390120	1	25	Pedestal H 190 LB K6	with 21	SKE 001510320	2
10	Lever kit	with 11 + 12	SKE 001380020	1	25	Pedestal H 225 LB K2	with 21	SKE 001520020	2
11	Lever spring		SKE 001009800	1	25	Pedestal H 225 LB K3	with 21	SKE 001520120	2
12	Lever bolts		SKE 001750020	1	25	Pedestal H 225 LB K6	with 21	SKE 001520320	2
14	Lever	with 15	SKE 001620020	1	26	Set of traverse screws		SKE 002770020	1
15	Lever bolt		SKE 001650020	1	27	Traverses LB K2/K4 H150	with 26	SKE 001570020	1
19	Eye bolt	compl.	SK 2122-04	1	27	Traverses LB K2 H190/225	with 26	SKE 001590020	1
20	Adjusting screw with guide		SKE 500740220	1	27	Traverses LB K3/K6	with 26	SKE 001010120	1
21	Bolt		SKE 001011400	4					

Repair and retrofit kits

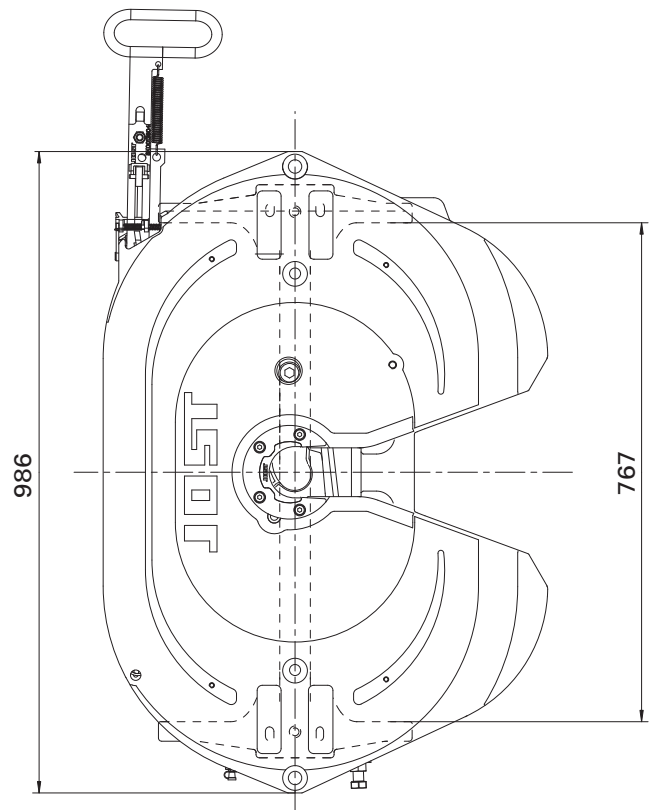
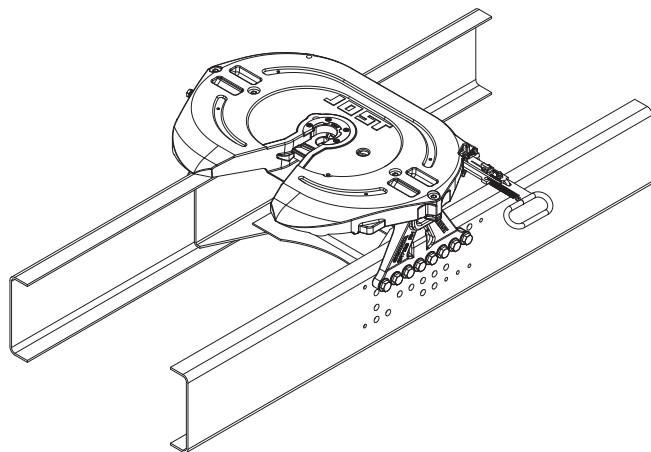
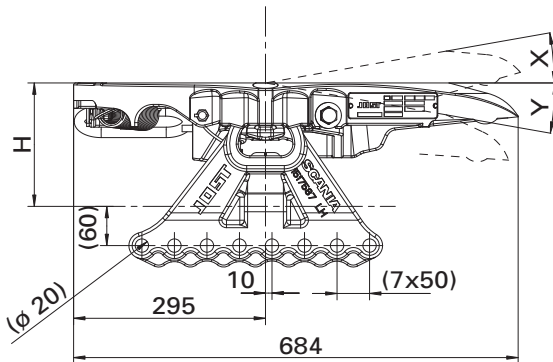


Item	Description	Order No.
01, 02, 03, 04, 05, 06, 19	Lock compl.	SKE 001640020
21, 22	Repair kit for bearing	SKE 001370220
24	Repair kit for skid plate	SKE 001007020

Fifth wheel couplings Chassis mounting JSK 42 K7 (Scania)

Technical Specification

Fifth wheel coupling with lubricated bearings for assembly on the main frame of Scania tractors. Please observe the mounting guidelines from the vehicle manufacturer. Suitable for mounting 2" king pins (50) as per 94/20/EC, DIN 74080, ISO 337 and steering wedges as per 94/20/EC, DIN 74085.



Selection table / Versions available

Chassis mounting

Order No.	LB	H (mm)	X	Y	Weight (kg)	WA
JSK 42 K74034AA	K7	190	15°	15°	133.0	Z
JSK 42 K74038AA	K7	190	15°	15°	133.0	W
JSK 42 K75734AA	K7	225	15°	15°	136.0	Z
JSK 42 K75738AA	K7	225	15°	15°	136.0	W

Explanations:

WA / Maintenance

Z = Prepared for central lubrication

W = Low-maintenance version

Technical Data

D value (kN)	Imposed load U (t)	Approval (EC)
152.0	20	e1 00-1245

optional mit



FlashTronic



LubeTronic



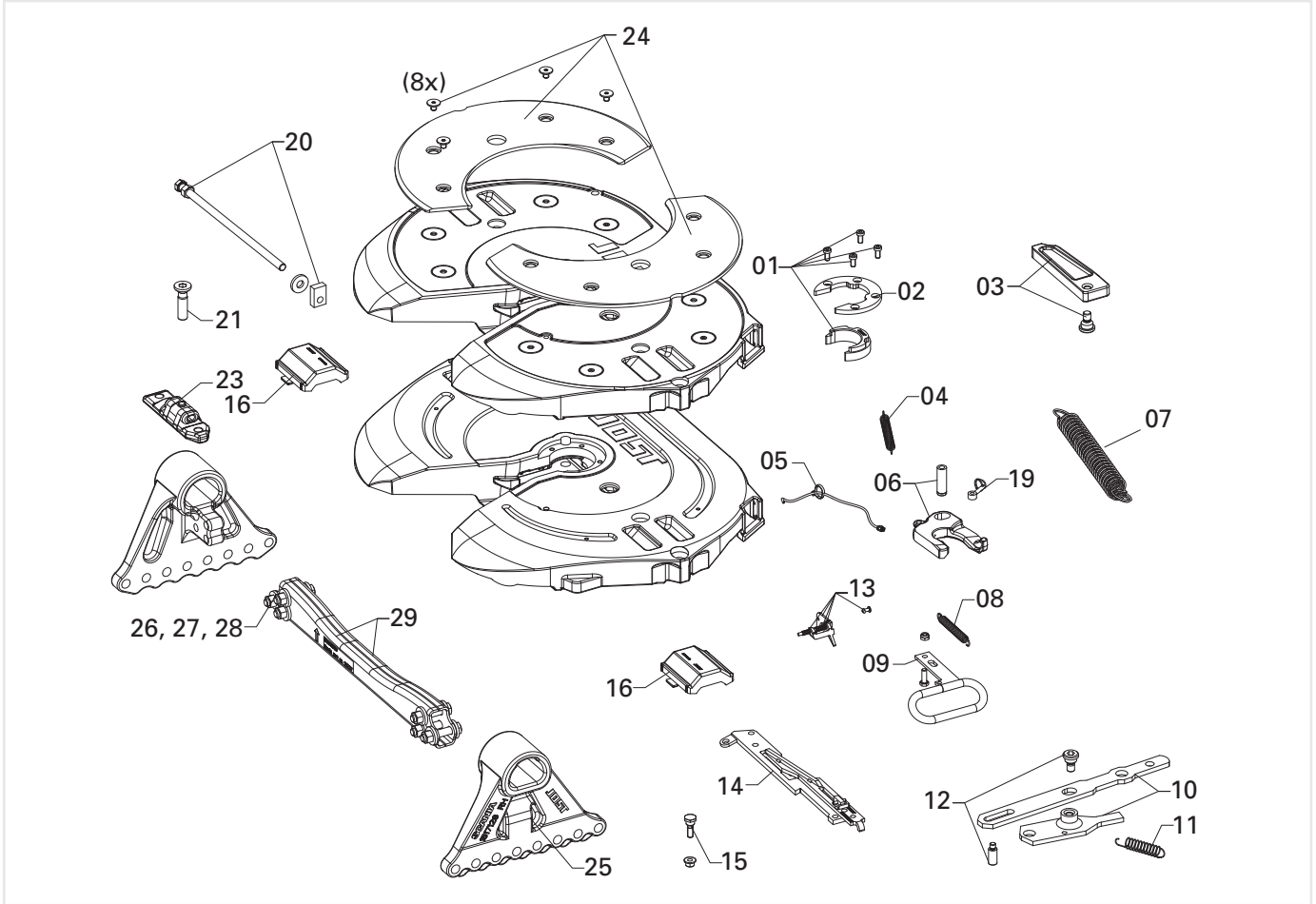
Sensoric



SKS/KKS

JSK 42 K7 (Scania) - Chassis mounting

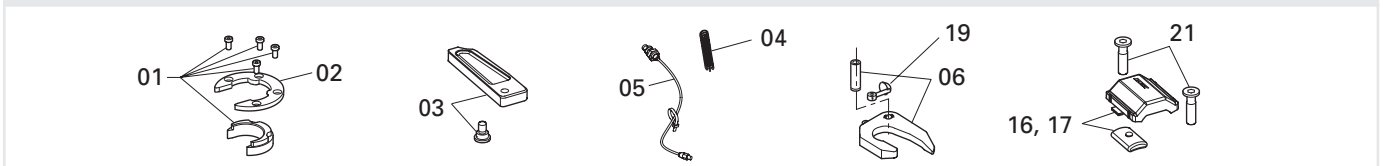
Spare parts



Item	Description	Remark	Order No.	per JSK	Item	Description	Remark	Order No.	per JSK
01	Wearing part + mount. bolts		SKE 001740020	1	16	Collars left and right			
02	Mounting ring	with 01	SK 3105-94	1		with rubber cushion	compl. with 21	SKE 001940001	1
03	Locking bolt + mount. bolt		SKE 001009720	1	19	Eye bolt	compl.	SK 2122-04	1
04	Tension spring		SK 847	1	20	Adjusting screw with guide		SKE 500740220	1
05	Lubrication tube	with cable tie	SK 3108-02	1	21	Bolt		SKE 001011400	4
06	Lock jaw	with 04 + 05	SK 3221-52 Z	1	23	Bridge set	with 21	SKE 002420120	1
07	Double tension spring		SK 3105-20	1	24	Skid plate with bolts	compl.	SKE 002750020	1
08	Locking spring		SKE 001440000	1	25	Pedestal H 190 l. K7	compl. with 21	SKE 001870000	1
09	Short handle Scania	with 08	SKE 001390220	1	25	Pedestal H 190 r. K7	compl. with 21	SKE 001880000	1
10	Lever kit	with 11 + 12	SKE 001380020	1	25	Pedestal H 225 l. K7	compl. with 21	SKE 001840000	1
11	Lever spring		SKE 001009800	1	25	Pedestal H 225 r. K7	compl. with 21	SKE 001850000	1
12	Lever bolts		SKE 001750020	1	26	Hexagon bolt*	ISO 4017-M16x80-10.9	Scania 1523992	-
13	Latch	with 2 blind rivets	SKE 003080020	1	27	Hexagon nut*	ISO 4032-M16-10	Scania 1387576	-
14	Lever for JSK 42 K7	with 15	SKE 001620120	1	28	Washer*	ISO 7089-16-300 HV	Scania 807329	-
15	Lever bolt		SKE 001650020	1	29	Traverse set K7		SKE 001860001	1

* purchase from Scania

Repair and retrofit kits



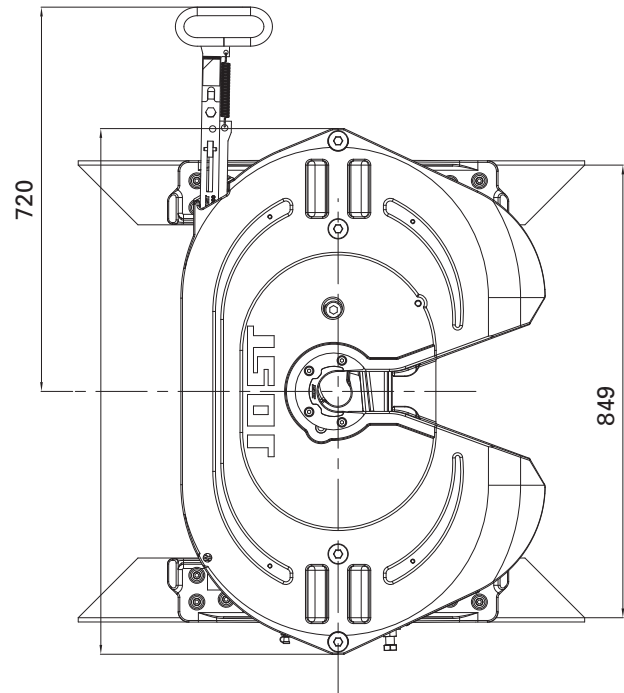
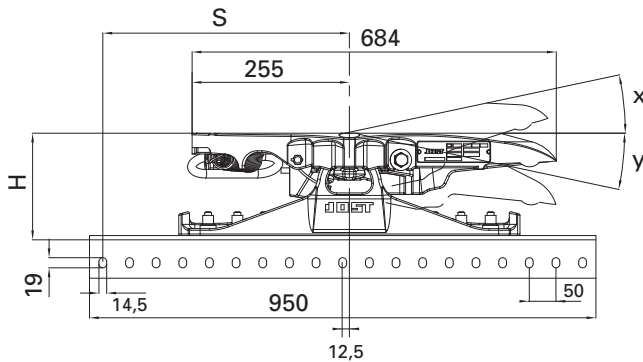
Item	Description	Order No.
01, 02, 03, 04, 05, 06, 19	Lock compl.	SKE 001640020
16, 17, 21	Collar with rubber cushion	SKE 001940001

Fifth wheel couplings Chassis mounting JSK 42 K8 (Volvo)

Technical Specification

Fifth wheel coupling with lubricated bearings for assembly on the main frame of Volvo tractors. Please observe the mounting guidelines from the vehicle manufacturer.

Suitable for mounting 2" king pins (50) as per 94/20/EC, DIN 74080, ISO 337 and steering wedges as per 94/20/EC, DIN 74085.



Selection table / Versions available

Chassis mounting

Order No.	LB	H (mm)	S (mm)	X	Y	Weight (kg)	Oval hole versions*
JSK 42 K82189AA	K8	160	437.5	8°	11°	146.0	F
JSK 42 K82188AA	K8	160	462.5	8°	11°	146.0	E
JSK 42 K84489AA	K8	200	437.5	17°	16°	153.0	F
JSK 42 K84488AA	K8	200	462.5	17°	16°	153.0	E
JSK 42 K85889AA	K8	230	437.5	24°	23°	158.0	F
JSK 42 K85888AA	K8	230	462.5	24°	23°	158.0	E

* Note: The E series can be converted to the F series (and vice versa) by switching the right and left pedestals on the opposite side. This causes the fifth wheel coupling to be displaced by 25 mm in relation to the attachment hole pattern of the tractor.

Technical Data

D value (kN)	Imposed load U (t)	Approval (EC)
152.0	20	e1 00-1245

available with



FlashTronic



LubeTronic



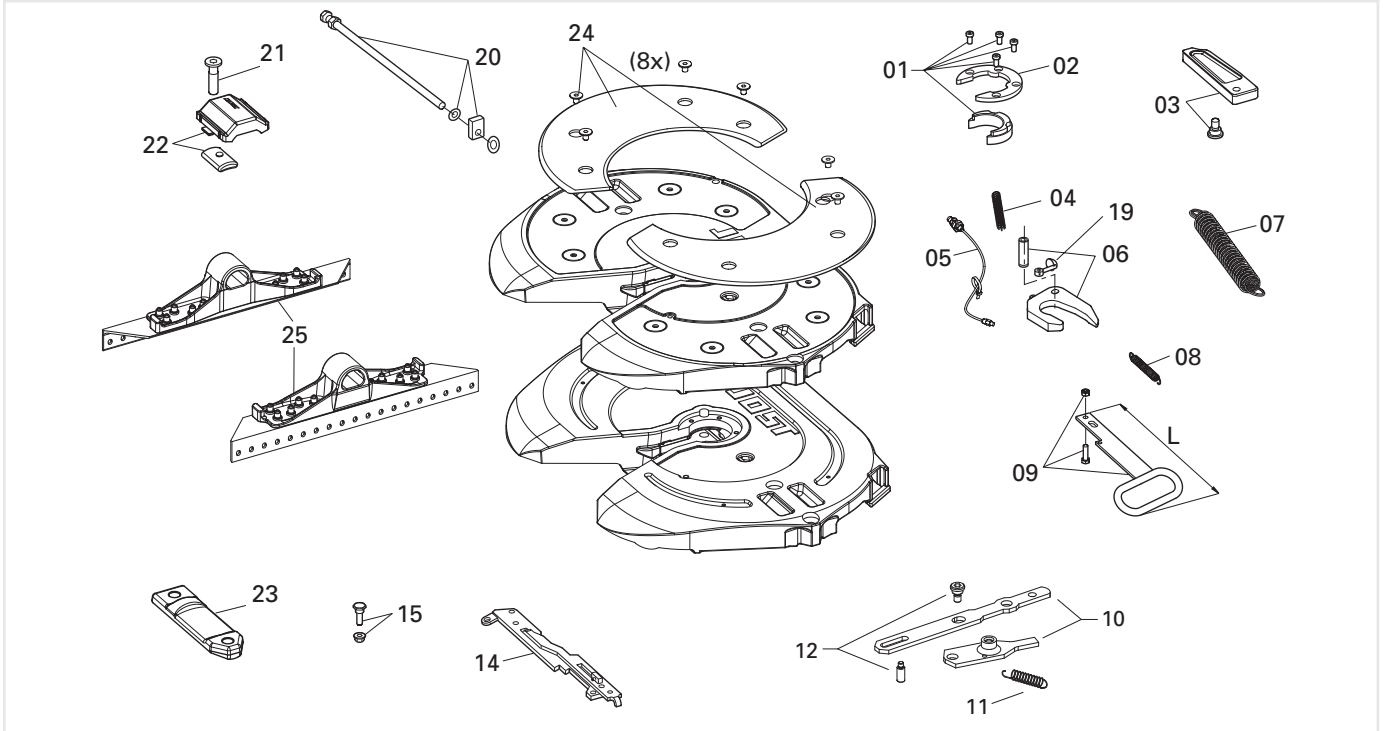
Sensoric



SKS/KKS

JSK 42 K8 (Volvo) - Chassis mounting

Spare parts

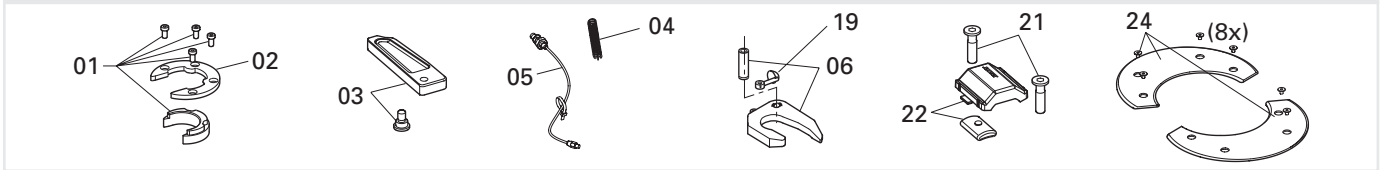


Item	Description	Remark	Order No.	per JSK	Item	Description	Remark	Order No.	per JSK
01	Wearing part + mount. bolts		SKE 001740020	1	12	Lever bolts		SKE 001750020	1
02	Mounting ring	with 01	SK 3105-94	1	14	Lever	with 15	SKE 001620020	1
03	Locking bolt + mount. bolt		SKE 001009720	1	15	Lever bolt		SKE 001650020	1
04	Tension spring		SK 847	1	19	Eye bolt	compl.	SK 2122-04	1
05	Lubrication tube	with cable tie	SK 3108-02	1	20	Adjusting screw with guide		SKE 500740220	1
06	Lock jaw	with 04 + 05	SK 3221-52 Z	1	21	Bolt		SKE 001011400	4
07	Double tension spring		SK 3105-20	1	22	Collars with rubber cushion**	with 21	SKE 001940001	1
08	Locking spring		SKE 001440000	1	23	Bridge	with 21	SKE 001530220	2
09	Short handle	with 08, L = 220	SKE 001390300	1	24	Skid plate with bolts		SKE 001007020	1
09	Long handle	with 08, L = 390	SKE 001390400	1	25	Pedestal H 160*	with 21	SKE 004240101	1
10	Lever kit	with 11 + 12	SKE 001380020	1	25	Pedestal H 200*	with 21	SKE 004240301	1
11	Lever spring		SKE 001009800	1	25	Pedestal H 230*	with 21	SKE 004240501	1

* consists of a right and left pedestal and four bridge bolt

** consists of a right (open) and a left (closed) collar, two rubber cushions and four bridge bolts

Repair and retrofit kits



Item	Description	Order No.
01, 02, 03, 04, 05, 06, 19	Lock compl.	SKE 001640020
21, 22**	Repair kit for bearing	SKE 001940001
24	Repair kit for skid plate	SKE 001007020

Fifth wheel couplings JSK 42 MK 162

lightweight

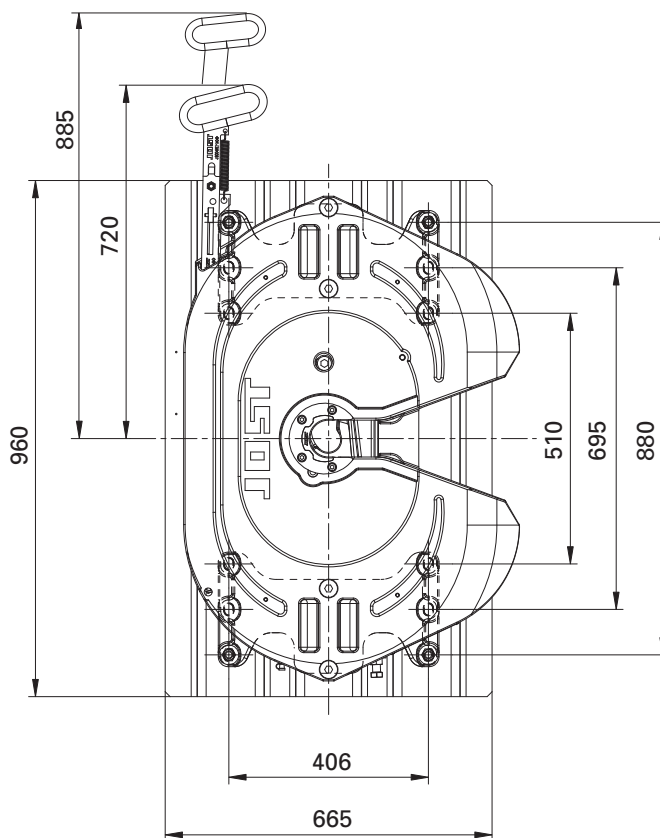
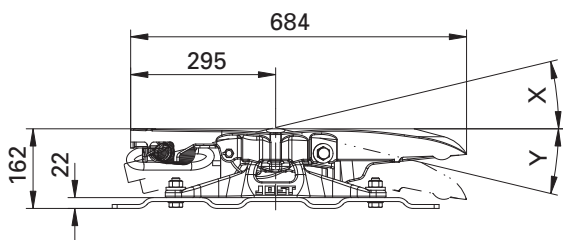
Technical Specification

Fifth wheel coupling with integrated mounting plate.

The fifth wheel coupling complies with the following directives / standards:

94/20/EC - Class G50, DIN 74081, ISO 3842.

Suitable for mounting 2" king pins (50) as per 94/20/EC, DIN 74080, ISO 337 and steering wedges as per 94/20/EC, DIN 74085.



Selection table / Versions available

Order No.	H (mm)	X	Y	Imposed load U (t)	D value (kN)	Approval (EC) Fifth wheel Coupling	Weight (kg)	WA	ZL
JSK42MK2658AA	162	12°	12°	20	152.0	e1 00-1245	173.0	Z	K
JSK42MK2659AA	162	12°	12°	20	152.0	e1 00-1245	173.0	Z	J
JSK42MK2660AA	162	12°	12°	20	152.0	e1 00-1245	173.0	W	K
JSK42MK2661AA	162	12°	12°	20	152.0	e1 00-1245	173.0	W	J

Explanations:

WA / Maintenance

Z = Prepared for central lubrication

W = Low-maintenance version

ZL / Handle length

J = Long handle

K = Short handle

Approval EC of mounting plate e1 00-0368

available with



FlashTronic



LubeTronic



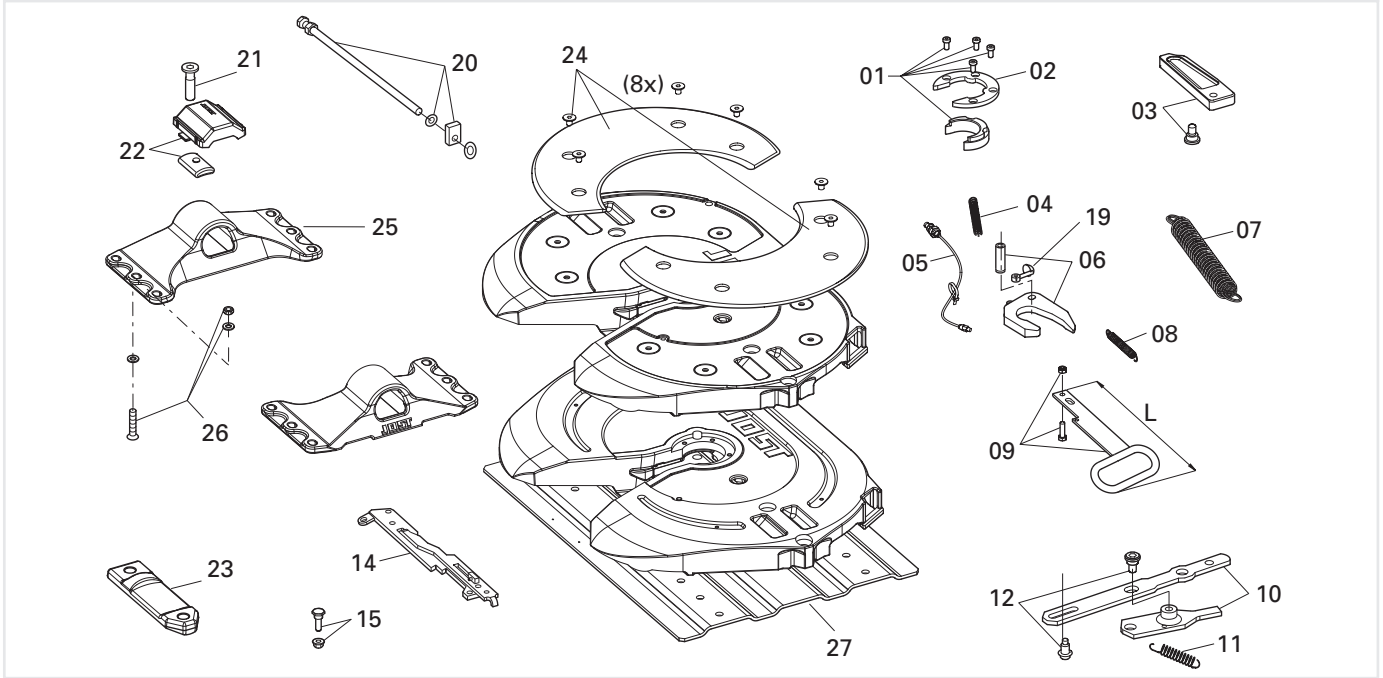
Sensoric



SKS/KKS

JSK 42 MK 162

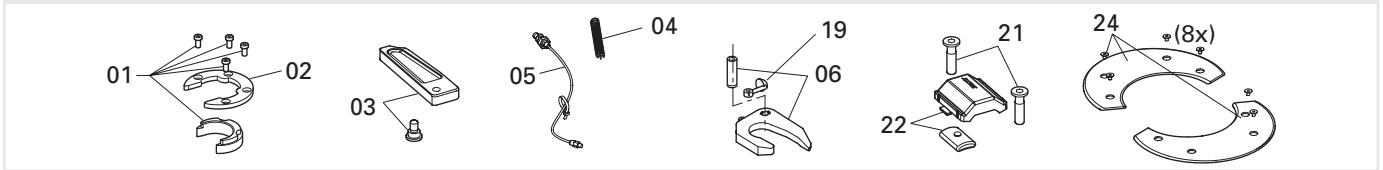
Spare parts



Item	Description	Remark	Order No.	per JSK	Item	Description	Remark	Order No.	per JSK
01	Wearing part + mount. bolts		SKE 001740020	1	12	Lever bolts		SKE 001750020	1
02	Mounting ring	with 01	SK 3105-94	1	14	Lever	with 15	SKE 001620020	1
03	Locking bolt + mount. bolt		SKE 001009720	1	15	Lever bolt		SKE 001650020	1
04	Tension spring		SK 847	1	19	Eye bolt	compl.	SK 2122-04	1
05	Lubrication tube	with cable tie	SK 3108-02	1	20	Adjusting screw with guide		SKE 500740220	1
06	Lock jaw	with 04 + 05	SK 3221-52 Z	1	21	Bolt		SKE 001011400	4
07	Double tension spring		SK 3105-20	1	22	Collar	with 21	SKE 001370020	2
08	Locking spring		SKE 001440000	1	23	Bridge	with 21	SKE 001530220	2
09	Short handle	with 08, L = 220	SKE 001390020	1	24	Skid plate with bolts	compl.	SKE 001007020	1
09	Long handle	with 08, L = 390	SKE 001390120	1	25	Pedestal H 140*	with 21	SKE 001820020	2
10	Lever kit	with 11 + 12	SKE 001380020	1	26	Bolt kit		SK 3110-009	1
11	Lever spring		SKE 001009800	1	27	Mounting plate		MP 2102	1

* only für assembling on mounting plate MP 21 or MP 41

Repair and retrofit kits

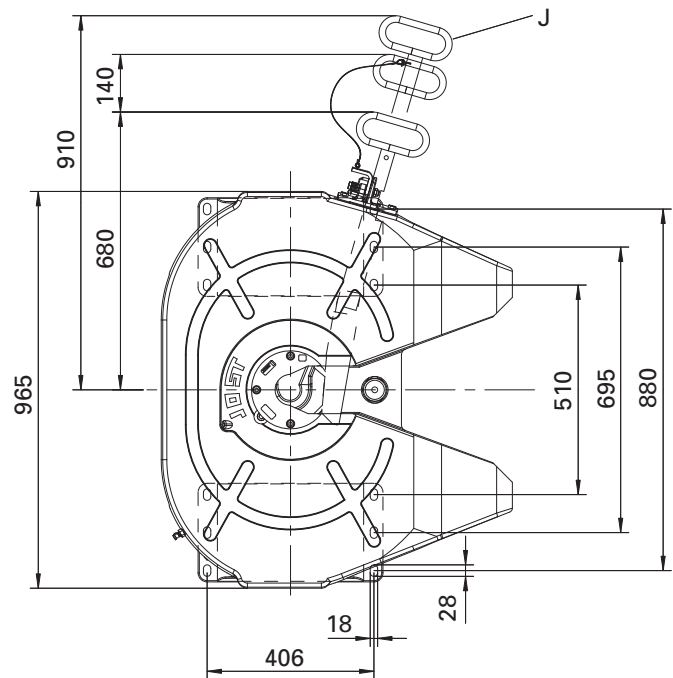
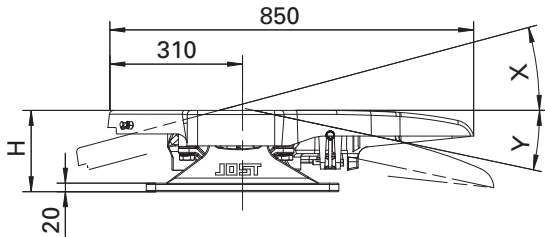


Item	Description	Order No.
01, 02, 03, 04, 05, 06, 19	Lock compl.	SKE 001640020
21, 22	Repair kit for bearing	SKE 001370220
24	Repair kit for skid plate	SKE 001007020

Heavy duty fifth wheel couplings JSK 38 C1

Technical Specification

Rubber bearing, hole pattern as per ISO 3842.
JOST heavy duty fifth wheel couplings comply with dimensions as per DIN 74081 or DIN 74084, for plate mounting with hole patterns as per DIN 74081, 74084 and ISO 3842. Suitable for 2" king pins (50) as per DIN 74080, ISO 337 or 3 1/2" king pins (90) as per DIN 74083, ISO 4086 and steering wedges as per DIN 74085 or 94/20/EC. Fitted on a mounting plate.



Selection table / Versions available

Order No.	H (mm)	Lock	X	Y	D value (kN)	Imposed load U (t)	Weight (kg)	Approval (EC)	WA	ZL
JSK 38C-1	190	3 1/2"	15°	12°	260.0	36	190.0	e1 00-0471	M	K
JSK 38C-1 Z	190	3 1/2"	15°	12°	260.0	36	190.0	e1 00-0471	Z	K
JSK 38C-1 J	190	3 1/2"	15°	12°	260.0	36	190.0	e1 00-0471	M	J
JSK 38C-1 ZJ	190	3 1/2"	15°	12°	260.0	36	190.0	e1 00-0471	Z	J
JSK 38C07016 AA	250	3 1/2"	15°	15°	260.0	36	205.0	e1 00-0471	M	K
JSK 38C07016 DJ	250	3 1/2"	15°	15°	260.0	36	205.0	e1 00-0471	Z	K
JSK 38C07067 AA	250	3 1/2"	15°	15°	260.0	36	205.0	e1 00-0471	M	J
JSK 38C07067 DJ	250	3 1/2"	15°	15°	260.0	36	205.0	e1 00-0471	Z	J
JSK 38C-1 2"	190	2"	15°	12°	170.0	28	190.0	e1 00-0472	M	K
JSK 38C-1 2" Z	190	2"	15°	12°	170.0	28	190.0	e1 00-0472	Z	K
JSK 38C-1 2" J	190	2"	15°	12°	170.0	28	190.0	e1 00-0472	M	J
JSK 38C-1 2" ZJ	190	2"	15°	12°	170.0	28	190.0	e1 00-0472	Z	J
JSK 38C07017 AA	250	2"	15°	15°	170.0	28	205.0	e1 00-0472	M	K
JSK 38C07017 DJ	250	2"	15°	15°	170.0	28	205.0	e1 00-0472	Z	K
JSK 38C07068 AA	250	2"	15°	15°	170.0	28	205.0	e1 00-0472	M	J
JSK 38C07068 DJ	250	2"	15°	15°	170.0	28	205.0	e1 00-0472	Z	J

Note: JSK 38 C is available as a mounting unit with a mounting height of 160 mm including mounting plate (see JSK 38 MC) and for installation in heavy duty sliders EV HD800-6 (serial no. 2599104 and higher) and EV HD85.

Explanations:

WA / Maintenance

Z = Prepared for central lubrication

M = Manual lubrication

ZL / Handle length

J = Long handle

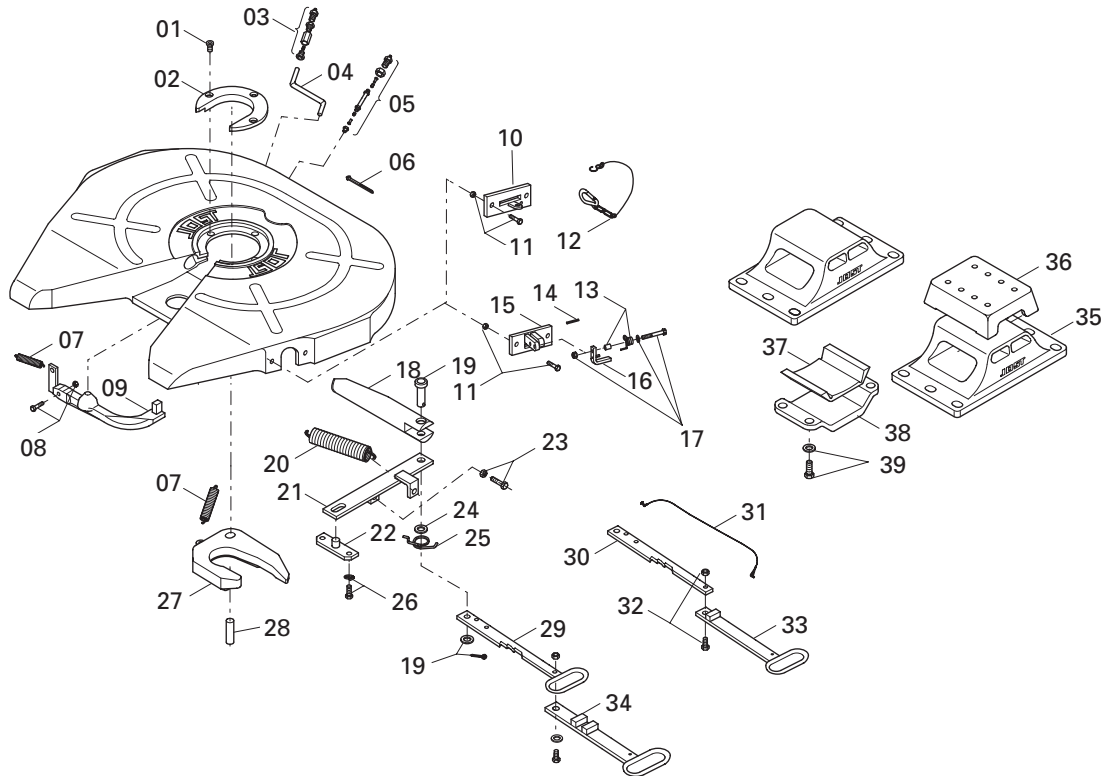
K = Short handle

available with



JSK 38 C1 / C1- 2" / ...Z

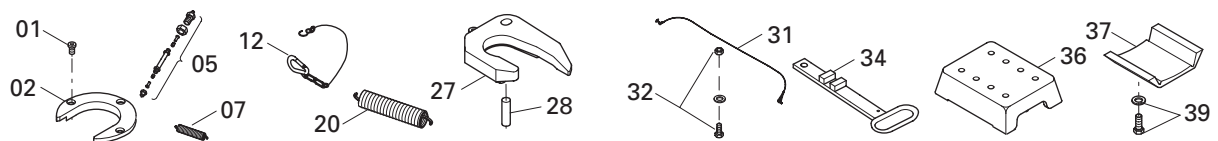
Spare parts



Item	Description	Remark	Order No.	per JSK	Item	Description	Remark	Order No.	per JSK
01	Socket head bolt		SK 2421-08	3	23	Hexagon bolt	compl.	SK 2421-52	1
02	Wearing ring	3 1/2", compl. with 01	SK 2421-56	1	24	Washer		SK 2405-19	1
02	Wearing ring	2", compl. with 01	SK 2421-57	1	25	Spring noose		SK 2405-09	1
03	Nut and bolt		SK 1976	1	26	Hexagon bolt	compl.	SK 2421-53	2
04	Lubrication tube		SK 2205-12	1	27	Lock jaw	3 1/2"	SK 2405-14	1
05	Lubrication tube	compl. with 06, for type Z	SK 2508-02	1	27	Lock jaw	compl. with 06, 3 1/2"	SK 2405-14 Z	1
06	Cable tie		SK 3121-13	1	27	Lock jaw	2"	SK 2405-13	1
07	Tension spring		SK 2106-01	2	27	Lock jaw	compl. with 06, 2"	SK 2405-13 Z	1
08	Hexagon bolt	compl.	SK 2421-51	1	28	Bolt		SK 2405-18	1
09	Latch		SK 2405-27	1	29	Handle	standard version	SK 2405-066	1
10	Guide plate	to xx60xxxxxx	SK 2405-22	1	30	Locking bar	f. type J, from xx63xxxxxx	SK 2405-067	1
11	Hexagon bolt	compl.	SK 2421-50	2	31	Latch cord	compl. from xx63xxxxxx	SK 3521-02	1
12	Spring hook	compl. to xx60xxxxxx	SK 1436	1	32	Hexagon bolt	compl. for type J, from xx63xxxxxx	SK 2421-50	1
13	Spring noose	compl. from xx63xxxxxx	SK 2921-30	1	33	Handle	f. type J, from xx63xxxxxx	SK 3105-113	1
14	Clamping pin		000.003.027	1	35	Pedestal BH 190		SK 2404-01	2
15	Latch holder	compl. with 14, from xx63xxxxxx	SK 2405-084	1	35	Pedestal BH 250		SK 2404-04	2
16	Latch	compl. from xx63xxxxxx	SK 3121-52	1	36	Rubber cushion, upper		SK 2006	2
17	Hexagon bolt	compl. from xx63xxxxxx	SK 3521-03	1		Rubber cushion, upper	with steering wedge	SK 2006L	2
18	Locking bar		SK 2405-01	1	37	Rubber cushion, lower		SK 2007	2
19	Bar bolt	compl.	SK 2121-14	1	38	Bridge		SK 2005	2
20	Double tension spring		SK 2405-23	1	39	Hexagon bolt	compl.	SK 2421-55	8
21	Lever		SK 2405-04	1					
22	Bearing		SK 2405-15	1					

* bei Leukkeil: SK 2006L

Repair and retrofit kits



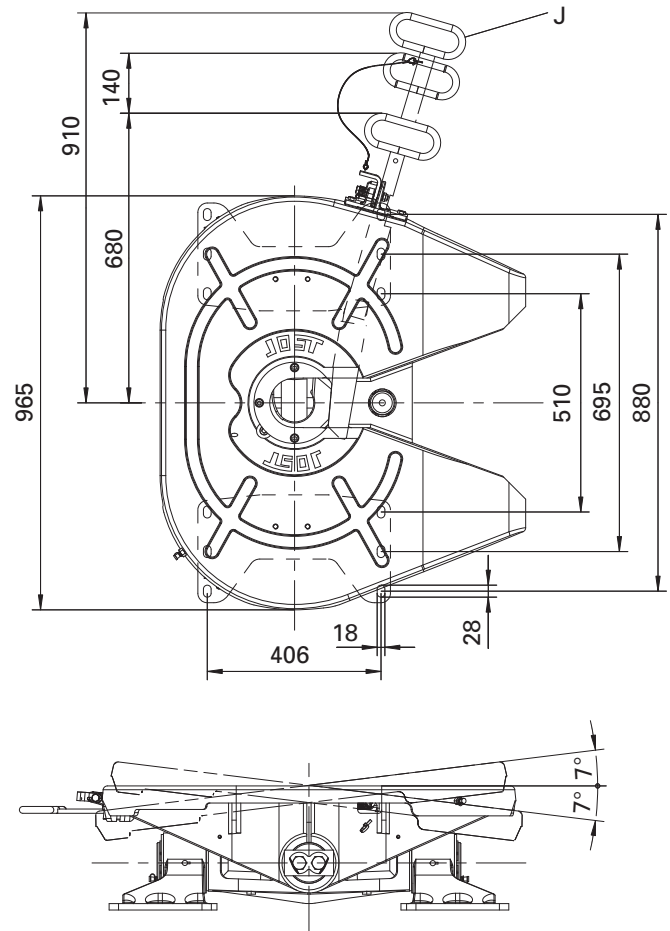
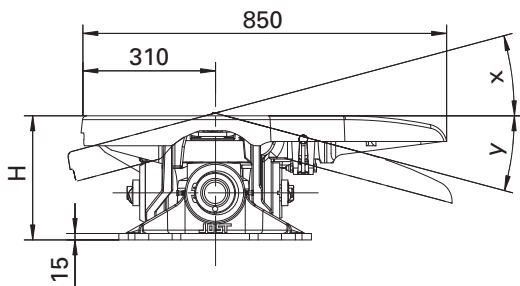
Item	Description	Order No.	Item	Description	Order No.
01, 02, 07, 12, 20, 27, 28	Repair kit for lock 3 1/2", for type C	SK 2421-76	01, 02, 07, 27	Conversion kit for lock from 3 1/2" to 2", f. type C	SK 2421-98
01, 02, 05, 07, 12, 20, 27, 28	Repair kit for lock 3 1/2", for type CZ	SK 2421-76 Z	01, 02, 07, 27	Conversion kit for lock from 3 1/2" to 2", f. type CZ	SK 2421-98 Z
01, 02, 07, 12, 20, 27, 28	Repair kit for lock 2", for type C	SK 2421-77	01, 02, 07, 27	Conversion kit for lock from 2" to 3 1/2", f. type C	SK 2421-99
01, 02, 05, 07, 12, 20, 27, 28	Repair kit for lock 2", for type CZ	SK 2421-77 Z	01, 02, 07, 27	Conversion kit for lock from 2" to 3 1/2", f. type CZ	SK 2421-99 Z
36, 37, 39	Repair kit for bearing for type C/CZ	SK 2421-78	31, 32, 34	Retrofit kit handle extension compl., f. type C/CZ	SK 3121-063

Heavy duty fifth wheel couplings JSK 38 G1

Technical Specification

Cardan bearing, hole pattern as per ISO 3842.

JOST heavy duty fifth wheel couplings comply with dimensions as per DIN 74081 or DIN 74084, for plate mounting with hole patterns as per DIN 74081, 74084 and ISO 3842. Suitable for 2" king pins (50) as per DIN 74080, ISO 337 or 3 1/2" king pins (90) as per DIN 74083, ISO 4086 and steering wedges as per DIN 74085 or 94/20/EC. Fitted on a mounting plate.



Selection table / Versions available

Order No.	H (mm)	Lock	X	Y	D value (kN)	Imposed load U (t)	Weight (kg)	Approval (EC)	WA	ZL
JSK 38G-1	290	3 1/2"	15°	15°	260.0	36	265.0	e1 00-0339	M	K
JSK 38G-1 Z	290	3 1/2"	15°	15°	260.0	36	265.0	e1 00-0339	Z	K
JSK 38G-1 J	290	3 1/2"	15°	15°	260.0	36	265.0	e1 00-0339	M	J
JSK 38G-1 ZJ	290	3 1/2"	15°	15°	260.0	36	265.0	e1 00-0339	Z	J
JSK 38G-1 2"	290	2"	15°	15°	170.0	28	265.0	e1 00-0443	M	K
JSK 38G-1 2" Z	290	2"	15°	15°	170.0	28	265.0	e1 00-0443	Z	K
JSK 38G-1 2" J	290	2"	15°	15°	170.0	28	265.0	e1 00-0443	M	J
JSK 38G-1 2" ZJ	290	2"	15°	15°	170.0	28	265.0	e1 00-0443	Z	J

Explanations:

WA / Maintenance

Z = Prepared for central lubrication

M = Manual lubrication

ZL / Handle length

J = Long handle

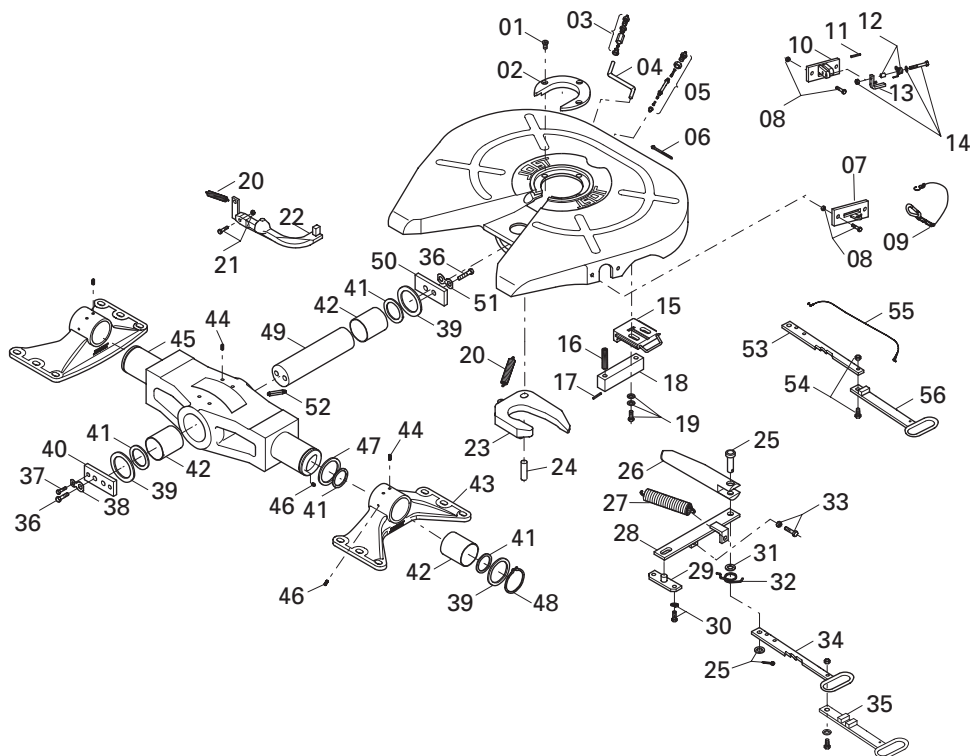
K = Short handle

available with



JSK 38 G1 / G1-2" / ...Z

Spare parts



Item	Description	Remark	Order No.	per JSK	Item	Description	Remark	Order No.	per JSK
01	Socket head bolt		SK 2421-08	3	26	Locking bar		SK 2405-01	1
02	Wearing ring	3 1/2", compl. with 01	SK 2421-56	1	27	Double tension spring		SK 2405-23	1
02	Wearing ring	2", compl. with 01	SK 2421-57	1	28	Lever		SK 2405-04	1
03	Nut and bolt		SK 1976	1	29	Bearing		SK 2405-15	1
04	Lubrication tube		SK 1989	1	30	Hexagon bolt	compl.	SK 2421-53	2
05	Lubrication tube	compl. with 06, for type Z	SK 2508-02	1	31	Washer		SK 2405-19	1
06	Cable tie		SK 3121-13	1	32	Spring noose		SK 2405-09	1
07	Guide plate	to xx70xxxxxx	SK 2405-22	1	33	Hexagon bolt	compl.	SK 2421-52	1
08	Hexagon bolt	compl.	SK 2421-50	2	34	Handle	standard version	SK 2405-066	1
09	Spring hook	compl. to xx70xxxxxx	SK 1436	1	36	Hexagon bolt		SK 2034	4
10	Latch holder	compl. with 11, from xx72xxxxxx	SK 2405-084	1	37	Hexagon bolt		SK 2521-18	2
11	Clamping pin		000.003.027	1	38	Locking plate		SK 2504-21	2
12	Spring noose	compl. from xx72xxxxxx	SK 2921-30	1	39	Spacer washer		SK 2504-14	4
13	Latch	compl. from xx72xxxxxx	SK 3121-52	1	40	Plate		SK 2504-18	1
14	Hexagon bolt	compl. from xx72xxxxxx	SK 3521-03	1	41	Round seal		SK 2521-07	6
15	Stopper	compl.	SK 2506-22	2	42	Bearing bushing		SK 2504-16	4
16	Pressure spring		SK 2506-15	4	43	Pedestal	with 42, 44, 46	SK 2521-52	2
17	Clamping sleeve		SK 2521-10	4	44	Cylindrical notched pin		SK 1533	8
18	Bush		SK 2506-35	2	45	Rocker arm	compl. with 42, 44, 46, 52	SK 2521-51	1
19	Hexagon bolt	compl.	SK 2521-50	4	46	Taper grease nipple		SK 2521-04	6
20	Tension spring		SK 2106-01	2	47	Spacer washer		SK 1192/1	2
21	Hexagon bolt	compl.	SK 2421-51	1	48	Locking ring		SK 1435	2
22	Latch		SK 2405-27	1	49	Pivot pin		SK 2504-17	1
23	Lock jaw	3 1/2"	SK 2405-14	1	50	Clamping plate		SK 2504-19	1
23	Lock jaw	compl. with 06, 3 1/2" for type Z	SK 2405-14 Z	1	51	Locking plate		SK 2504-20	1
23	Lock jaw	2"	SK 2405-13	1	52	Taper grease nipple + extens.	with extension	SK 2521-57	1
23	Lock jaw	compl. with 06, 2" for type Z	SK 2405-13 Z	1	53	Locking bar	f. type J, from xx72xxxxxx	SK 2405-067	1
24	Bolt		SK 2405-18	1	54	Hexagon bolt	compl. f. type J, from xx72xxxxxx	SK 2421-50	1
25	Bar bolt	compl.	SK 2121-14	1	55	Latch cord	compl. f. type J, from xx72xxxxxx	SK 3521-02	1
					56	Handle	f. type J, from xx72xxxxxx	SK 3105-113	1

Repair and retrofit kits

Item	Description	Order No.	Item	Description	Order No.
01, 02, 09, 20, 23, 24, 27	Repair kit for lock 3 1/2", for type G	SK 2421-76	01, 02, 05, 09, 20, 23, 24, 27	Repair kit for lock 3 1/2", for type GZ	SK 2421-76 Z
01, 02, 09, 20, 23, 24, 27	Repair kit for lock 2", for type G	SK 2421-77	01, 02, 05, 09, 20, 23, 24, 27	Repair kit for lock 2", for type GZ	SK 2421-77 Z
36, 37, 38, 41, 42, 44, 46, 52, 51	Repair kit for bearing for type G/GZ	SK 2521-76	01, 02, 20, 23	Conversion kit for lock from 3 1/2" to 2", f. type GZ	SK 2421-98 Z
01, 02, 20, 23	Conversion kit for lock from 3 1/2" to 2", f. type G	SK 2421-98	01, 02, 20, 23	Conversion kit for lock from 2" to 3 1/2", f. type GZ	SK 2421-99 Z
01, 02, 20, 23	Conversion kit for lock from 2" to 3 1/2", f. type G	SK 2421-99			
35, 54, 55	Retrofit kit handle extension compl. from xx72xxxxx, f. type G/GZ	SK 3121-063			

Heavy duty fifth wheel couplings JSK 38 MC

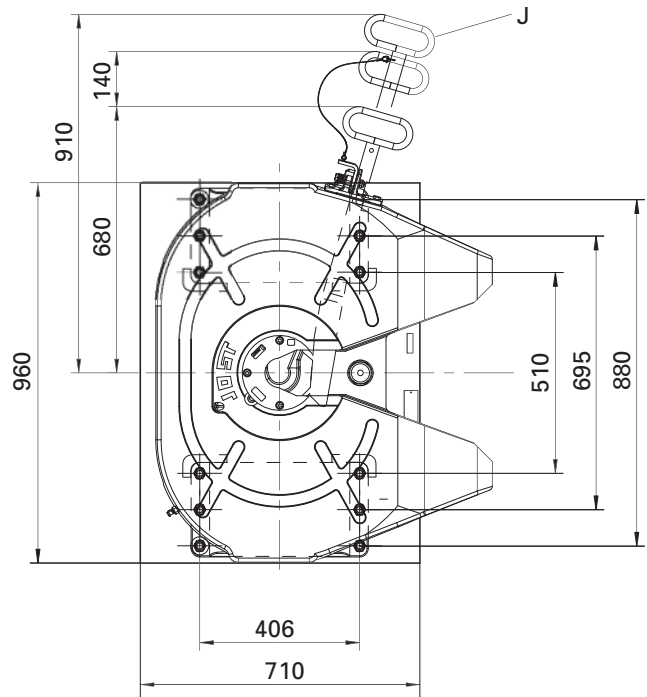
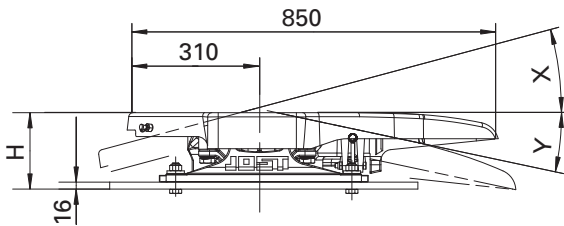
Technical Specification

Fifth wheel coupling with integrated mounting plate.

Rubber bearing, hole pattern as per ISO 3842.

JOST heavy duty fifth wheel couplings comply with dimensions as per DIN 74081 or DIN 74084, for plate mounting with hole patterns as per DIN 74081, 74084 and ISO 3842.

Suitable for 2" king pins (50) as per DIN 74080, ISO 337 or 3 1/2" king pins (90) as per DIN 74083, ISO 4086 and steering wedges as per DIN 74085 or 94/20/EC.



Selection table / Versions available

Order No.	H (mm)	Lock	X	Y	D value (kN)	Imposed load U (t)	Weight (kg)	Approval (EC)	WA	ZL
JSK 38MC3481 AA	176	3 1/2"	15°	12°	260.0	36	270.0	e1 00-0471	M	K
JSK 38MC3481 DJ	176	3 1/2"	15°	12°	260.0	36	270.0	e1 00-0471	Z	K
JSK 38MC3482 AA	176	3 1/2"	15°	12°	260.0	36	270.0	e1 00-0471	M	J
JSK 38MC3482 DJ	176	3 1/2"	15°	12°	260.0	36	270.0	e1 00-0471	Z	J
JSK 38MC3490 AA	176	2"	15°	12°	170.0	28	270.0	e1 00-0472	M	K
JSK 38MC3490 DJ	176	2"	15°	12°	170.0	28	270.0	e1 00-0472	Z	K
JSK 38MC3491 AA	176	2"	15°	12°	170.0	28	270.0	e1 00-0472	M	J
JSK 38MC3491 DJ	176	2"	15°	12°	170.0	28	270.0	e1 00-0472	Z	J

Explanations:

WA / Maintenance

Z = Prepared for central lubrication

M = Manual lubrication

ZL / Handle length

J = Long handle

K = Short handle

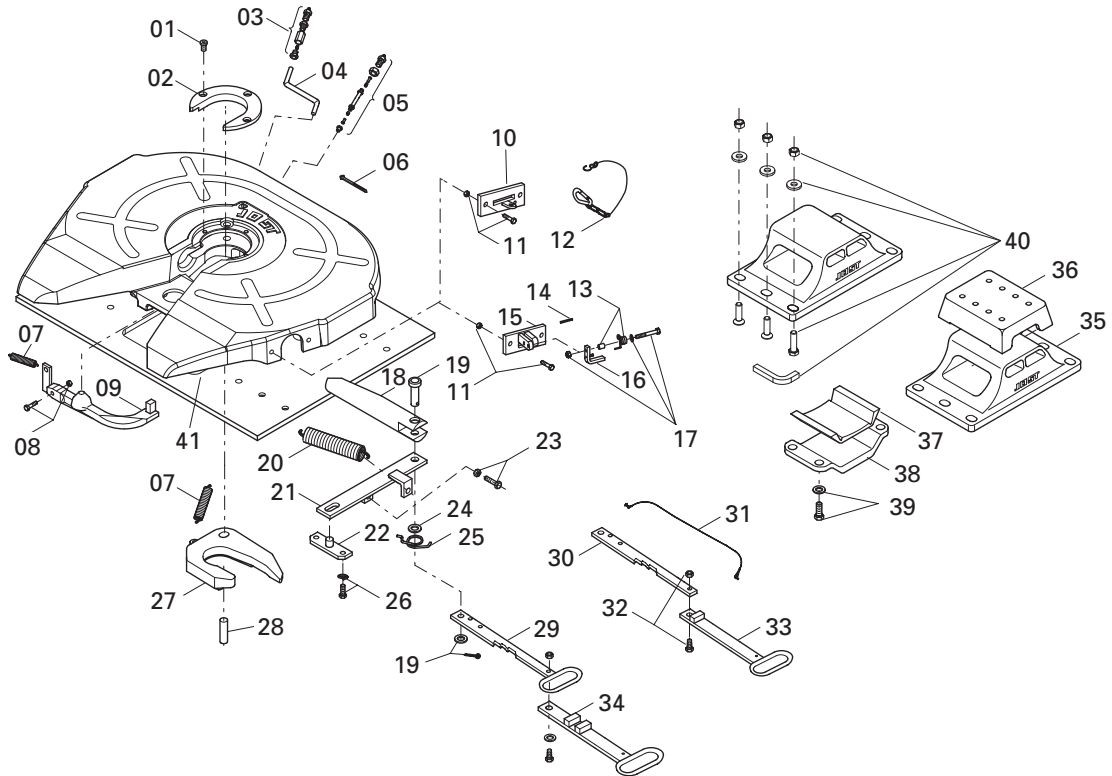
Approval EC of mounting plate e1 00-0951

available with



JSK 38 MC / MC- 2" / ...Z

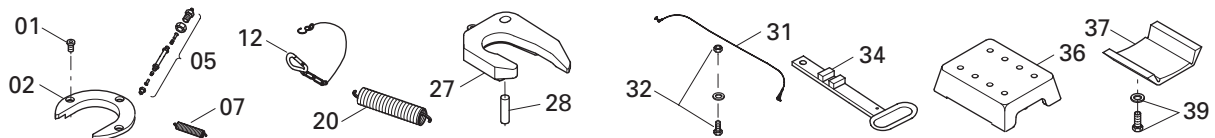
Spare parts



Item	Description	Remark	Order No.	per JSK	Item	Description	Remark	Order No.	per JSK
01	Socket head bolt		SK 2421-08	3	23	Hexagon bolt	compl.	SK 2421-52	1
02	Wearing ring	3 1/2", compl. with 01	SK 2421-56	1	24	Washer		SK 2405-19	1
02	Wearing ring	2", compl. with 01	SK 2421-57	1	25	Spring noose		SK 2405-09	1
03	Nut and bolt		SK 1976	1	26	Hexagon bolt	compl.	SK 2421-53	2
04	Lubrication tube		SK 2205-12	1	27	Lock jaw	3 1/2"	SK 2405-14	1
05	Lubrication tube	compl. with 06, for type Z	SK 2508-02	1	27	Lock jaw	compl. with 06, 3 1/2"	SK 2405-14 Z	1
06	Cable tie		SK 3121-13	1	27	Lock jaw	2"	SK 2405-13	1
07	Tension spring		SK 2106-01	2	27	Lock jaw	compl. with 06, 2"	SK 2405-13 Z	1
08	Hexagon bolt	compl.	SK 2421-51	1	28	Bolt		SK 2405-18	1
09	Latch		SK 2405-27	1	29	Handle	standard version	SK 2405-066	1
10	Guide plate	to xx60xxxxxx	SK 2405-22	1	30	Locking bar	for type J, from xx63xxxxxx	SK 2405-067	1
11	Hexagon bolt	compl.	SK 2421-50	2	31	Latch cord	compl. from xx63xxxxxx	SK 3521-02	1
12	Spring hook	compl. to xx60xxxxxx	SK 1436	1	32	Hexagon bolt	compl. for type J,		
13	Spring noose	compl. from xx63xxxxxx	SK 2921-30	1			from xx63xxxxxx	SK 2421-50	1
14	Clamping pin		000.003.027	1	33	Handle	f. type J, from xx63xxxxxx	SK 3105-113	1
15	Latch holder	compl. with 14,			35	Pedestal BH 160*		SK 2404-05	2
		from xx63xxxxxx	SK 2405-084	1	36	Rubber cushion, upper		SK 2006	2
16	Latch	compl. from xx63xxxxxx	SK 3121-52	1	37	Rubber cushion, lower		SK 2007	2
17	Hexagon bolt	compl. from xx63xxxxxx	SK 3521-03	1	38	Bridge		SK 2005-01	2
18	Locking bar		SK 2405-01	1	39	Hexagon bolt	compl.	SK 2421-55	8
19	Bar bolt	compl.	SK 2121-14	1	40	Mounting kit		SK 2410-019	1
20	Double tension spring		SK 2405-23	1	41	Mounting plate		MP 0119-133	1
21	Lever		SK 2405-04	1					
22	Bearing		SK 2405-15	1					

* Construction with pedestal for mounting height 160 mm only permissible in combination with mounting plate MP 0119-133.

Repair and retrofit kits



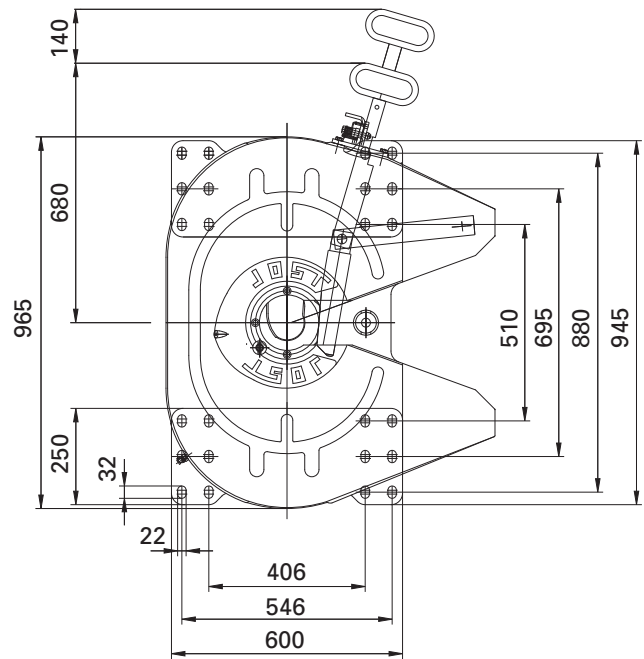
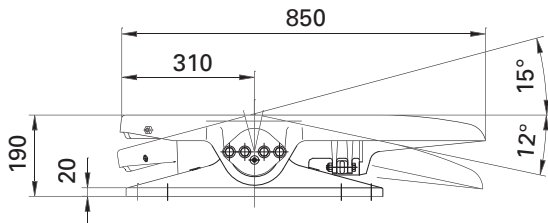
Item	Description	Order No.	Item	Description	Order No.
01, 02, 07, 12, 20, 28, 27	Repair kit for lock 3 1/2", for type C	SK 2421-76	31, 32, 34	Retrofit kit handle extension compl., f. type C/CZ	SK 3121-063
01, 02, 07, 12, 20, 27, 28	Repair kit for lock 2", for type C	SK 2421-77	01, 02, 05, 07, 12, 20, 27, 28	Repair kit for lock 3 1/2", for type CZ	SK 2421-76 Z
36, 37, 39	Repair kit for bearing for type C/CZ	SK 2421-78	01, 02, 05, 07, 12, 20, 27, 28	Repair kit for lock 2", for type CZ	SK 2421-77 Z
01, 02, 07, 27	Conversion kit for lock from 3 1/2" to 2", f. type C	SK 2421-98	01, 02, 07, 27	Conversion kit for lock from 3 1/2" to 2", f. type CZ	SK 2421-98 Z
01, 02, 07, 27	Conversion kit for lock from 2" to 3 1/2", f. type C	SK 2421-99	01, 02, 07, 27	Conversion kit for lock from 2" to 3 1/2", f. type CZ	SK 2421-99 Z

Heavy duty fifth wheel couplings JSK 50

Technical Specification

Pivot bearing.

Suitable for 3 1/2" king pins (90) as per 94/20/EC, DIN 74083, ISO 4086 and steering wedges as per 94/20/EC, DIN 74085.



Selection table / Version available

Order No.	D value (kN)	Imposed load U (t)	Weight (kg)	Approval (EC)	WA
JSK 50	300.0	50	290.0	e9 00-3023	M
JSK50E140R2AA	300.0	50	290.0	e9 00-3023	Z

Explanations:

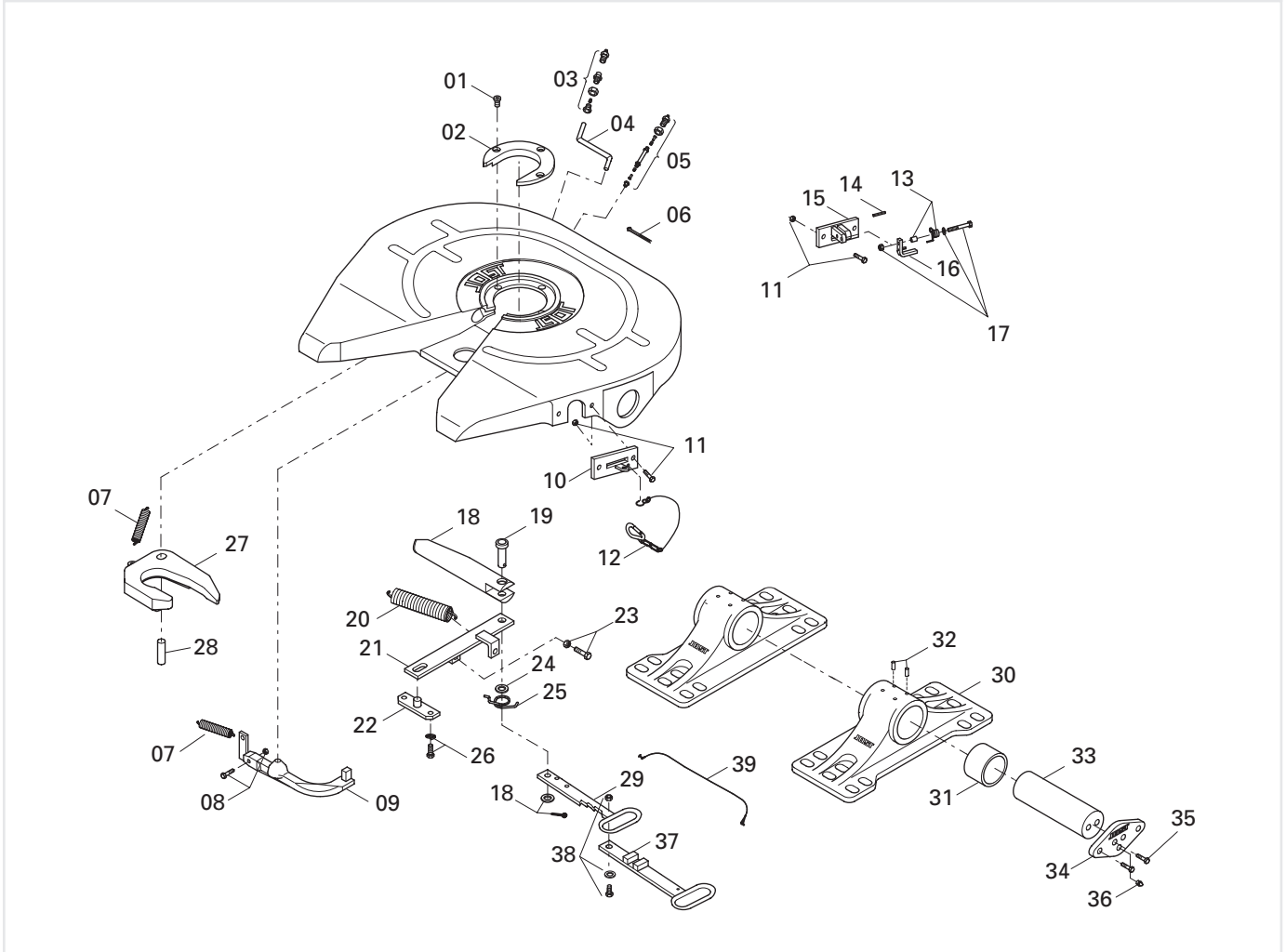
WA / Maintenance

Z = Prepared for central lubrication

M = Manual lubrication

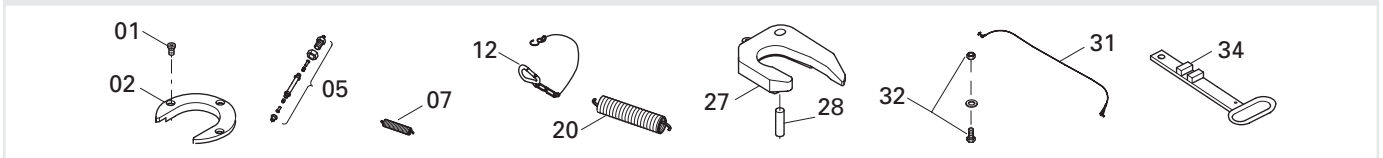
JSK 50 / ...Z

Spare parts



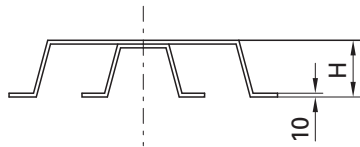
Item	Description	Remark	Order No.	per JSK	Item	Description	Remark	Order No.	per JSK
01	Socket head bolt		SK 2421-08	3	21	Lever		SK 2405-04	1
02	Wearing ring	3 1/2", compl. with 01	SK 2421-56	1	22	Bearing		SK 2405-15	1
03	Nut and bolt		SK 1976	1	23	Hexagon bolt	compl.	SK 2421-52	1
04	Lubrication tube		SK 1989-003	1	24	Washer		SK 2405-19	1
05	Lubrication tube	compl. with 06, for type Z	SK 2508-02	1	25	Spring noose		SK 2405-09	1
06	Cable tie		SK 3121-13	1	26	Hexagon bolt	compl.	SK 2421-53	2
07	Tension spring		SK 2106-01	2	27	Lock jaw	compl. with 06, 3 1/2" for type Z	SK 2405-14 Z	1
08	Hexagon bolt	compl.	SK 2421-51	1	28	Bolt		SK 2405-18	1
09	Latch		SK 2405-27	1	29	Handle		SK 2405-066	1
10	Guide plate	to xx90xxxxxx	SK 2405-22	1	30	Pedestal	compl. with 31 + 32	SK 2821-51	2
11	Hexagon bolt	compl.	SK 2421-50	2	31	Bearing bushing		SK 2805-03	4
12	Spring hook	compl.	SK 1436	1	32	Cylindrical notched pin		SK 1533	8
13	Spring noose	compl. from xx91xxxxxx	SK 2921-30	1	33	Pivot pin		SK 2805-01	2
14	Clamping pin		000.003.027	1	34	Plate		SK 2805-02	2
15	Latch holder	c. + 10, from xx91xxxxxx	SK 2405-084	1	35	Locking bolt		SK 2521-05	8
16	Latch	compl. from xx91xxxxxx	SK 3121-52	1	36	Taper grease nipple		SK 2521-04	2
17	Hexagon bolt	compl. from xx91xxxxxx	SK 3521-03	1	37	Handle	standard version	SK 2405-066	1
18	Locking bar		SK 2405-01	1	38	Hexagon bolt	compl., from xx91xxxxxx	SK 2421-50	1
19	Bar bolt	compl.	SK 2121-14	1	39	Latch cord	compl., from xx91xxxxxx	SK 3521-02	1
20	Double tension spring		SK 2405-23	1					

Repair and retrofit kits

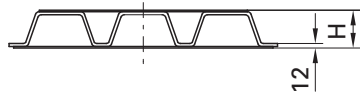


Item	Description	Order No.	Item	Description	Order No.
01, 02, 07, 12, 20, 27, 28	Repair kit for lock 3 1/2"	SK 2421-76	01, 02, 05, 07, 12, 20, 27, 28	Repair kit for lock 3 1/2", for type Z	SK 2421-76 Z
31, 32, 34	Retrofit kit handle extension compl.	SK 3121-063			

Mounting plates for 2" fifth wheel couplings



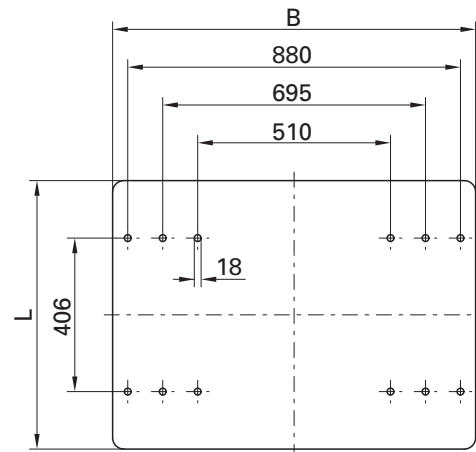
MP 1107/08



MP 1101/03

MP 41...
MPL 41...

MP 21...

MP 01...
MPL 01...

Hole pattern as per DIN 74081 / ISO 3842

Selection table / Versions available

Order No.	B (mm)	H (mm)	L (mm)	D value* (kN)	Imposed load* U (t)	Approval	Weight (kg)	Fifth wheel coupling*** Mounting height (mm)	Chassis hole patterns
MP 0113	960	12	710	152	20	e1 00-0367	62	up to 300	without
MP 0113-109	960	12	710	152	20	e1 00-0367	62	up to 300	DAF
MP 0113-68S	960	12	710	152	20	e1 00-0367	62	up to 300	MAN
MP 0115	1050	12	710	152	20	e1 00-0367	72	up to 300	without
MP 0115-148	1050	12	710	152	20	e1 00-0367	72	up to 300	Ford
MPL 01011012AA**	960	12	650	152	20	e1 00-0367	58	up to 300	Daimler
MPL 01011013AA	960	12	650	152	20	e1 00-0367	58	up to 300	Daimler
MPL 01011015AA	960	12	650	152	20	e1 00-0367	58	up to 300	Daimler
MP 2101	960	22	710	152	20	e1 00-0368	44	up to 300	without
MP 2102	960	22	665	152	20	e1 00-0368	41	up to 300	without
MP 2102-090	960	22	665	152	20	e1 00-0368	41	up to 300	Scania
MP 2103-088	1050	22	710	152	20	e1 00-0368	48	up to 300	Daewoo
MP 2111	1050	22	665	152	20	e1 00-0368	45	up to 300	without
MP 4101	960	40	710	152	20	e1 00-0368	48	up to 300	without
MP 4102	960	40	665	152	20	e1 00-0368	44	up to 300	without
MP 4102-090	960	40	665	152	20	e1 00-0368	43	up to 300	Scania
MP 4102-106S	960	40	665	152	20	e1 00-0368	43	up to 300	MAN
MP 4103-088	1050	40	710	152	20	e1 00-0368	52	up to 300	Daewoo
MP 4111	1050	40	665	152	20	e1 00-0368	48	up to 300	without
MP 4111-228	1050	40	665	152	20	e1 00-0368	48	up to 300	Ford
MPL 41041014AA	960	40	650	152	20	e1 00-0368	43	up to 300	Daimler
MP 4153	1050	40	650	152	20	e1 00-0368	50	up to 300	without
MP 1101	970	100	710	152/108	20/15	e1 00-1246	79	up to 200*/bis 250*	without
MP 1101-23	970	100	710	152/108	20/15	e1 00-1246	79	up to 200*/bis 250*	Iveco
MP 1103	1060	100	710	152/108	20/15	e1 00-1246	85	up to 200*/bis 250*	without
MP 1107	1050	150	700	108	15	E1 55R-011872	120	up to 250	without
MP 1108	960	150	700	108	15	E1 55R-011872	116	up to 250	without

* see mounting instructions for JOST class J mounting plates

** only for the JSK 42 series

*** without MP

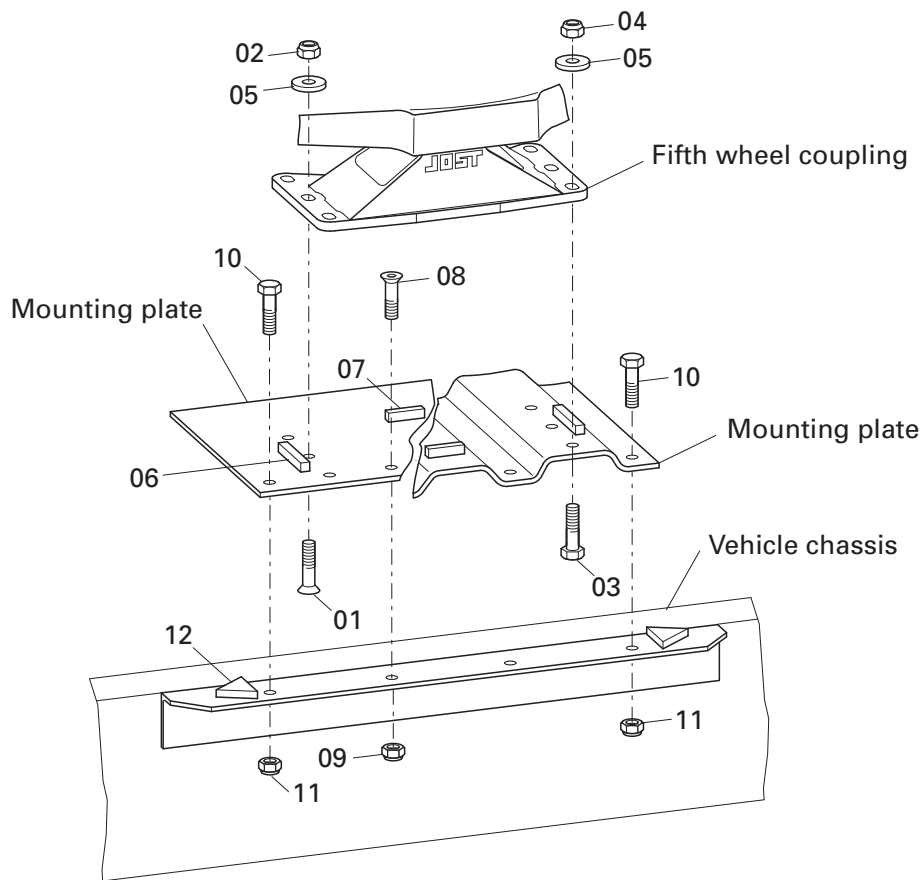
Other mounting plates available on request.

Mounting kits

JSK 36 DV

JSK 37 C / CW / E / EW

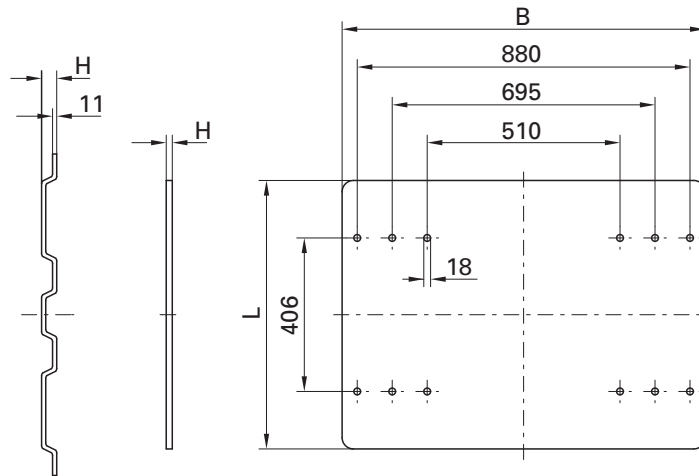
JSK 42 K0



Mounting kit consisting of (Quantity per kit):

Item	Description	SK 2110-38	SK 2110-43	SK 2110-45	SK 2110-46	SK 2110-15	SK 2110-25	SK 2110-16	SK 2110-26
		(12 mm) MP: use for: JSK 36/37	(12 mm) JSK 36/37	(12 mm) JSK 42	(12 mm) JSK 42	(22-40 mm) all	(22-40 mm) all	(100/150 mm) all	(100/150 mm) all
01	Countersunk bolts M16 x 60	4							
01	Countersunk bolts M16 x 1,5 x 55		8	12	12				
02	Hexagon nuts M16	4							
02	Hexagon nuts M16 x 1,5		8	12	12				
03	Hexagon bolts M16 x 1,5 x 60	8	4					12	12
03	Hexagon bolts M16 x 1,5 x 50					12	12		
04	Hexagon nuts M16 x 1,5	8	4			12	12	12	12
05	Washers 17	12	12	12	12	12	12	12	12
06	Stop blocks 15/100 mm	4	4	4	4	4	4	4	4
07	Stop blocks 15/60 mm	2	2	2	2	2	2	2	2
08	Countersunk bolts M16 x 50	4							
08	Countersunk bolts M20 x 50		4						
09	Hexagon nuts M16	4							
09	Hexagon nuts M20		4						
10	Hexagon bolts M16 x 1,5 x 50	8		8		8		8	
10	Hexagon bolts M20 x 1,5 x 50		4		8		8		8
11	Hexagon nuts M16 x 1,5	8		8		8		8	
11	Hexagon nuts M20 x 1,5		4		8		8		8
12	Stop blocks triangle 65 x 12	4	4	4	4	4	4	4	4

Mounting plates for heavy duty fifth wheel couplings



MP 4... **MP 0...** Hole pattern as per DIN 74081 / ISO 3842

Selection table / Versions available

Order No.	B (mm)	H (mm)	L (mm)	D value (kN)	Imposed load U (t)	Approval (EG)	Weight (kg)	Fifth wheel coupling Mounting height (mm)	Chassis hole patterns
MP 0117	960	16	710	260	36	e1 00-0951	86	up to 290	without
MP 0118	1050	16	710	260	36	e1 00-0951	94	up to 290	without
MP 0925	960	20	850	300	50	e9 00-3022	128	up to 190*	without
MP 4125	960	40	850	260	36	e1 00-0950	74	up to 290	without
MP 4125-213	960	40	850	260	36	e1 00-0950	77	up to 290	Daimler
MP 4126	1050	40	850	260	36	e1 00-0950	81	up to 290	without
MP 4157-124S	960	40	970	260	36	e1 00-0950	77	up to 290	MAN
MP 4157-214B	960	40	970	260	36	e1 00-0950	78	up to 290	Scania

* with attachment hole pattern for JOST JSK 50 (24 x ø 22)

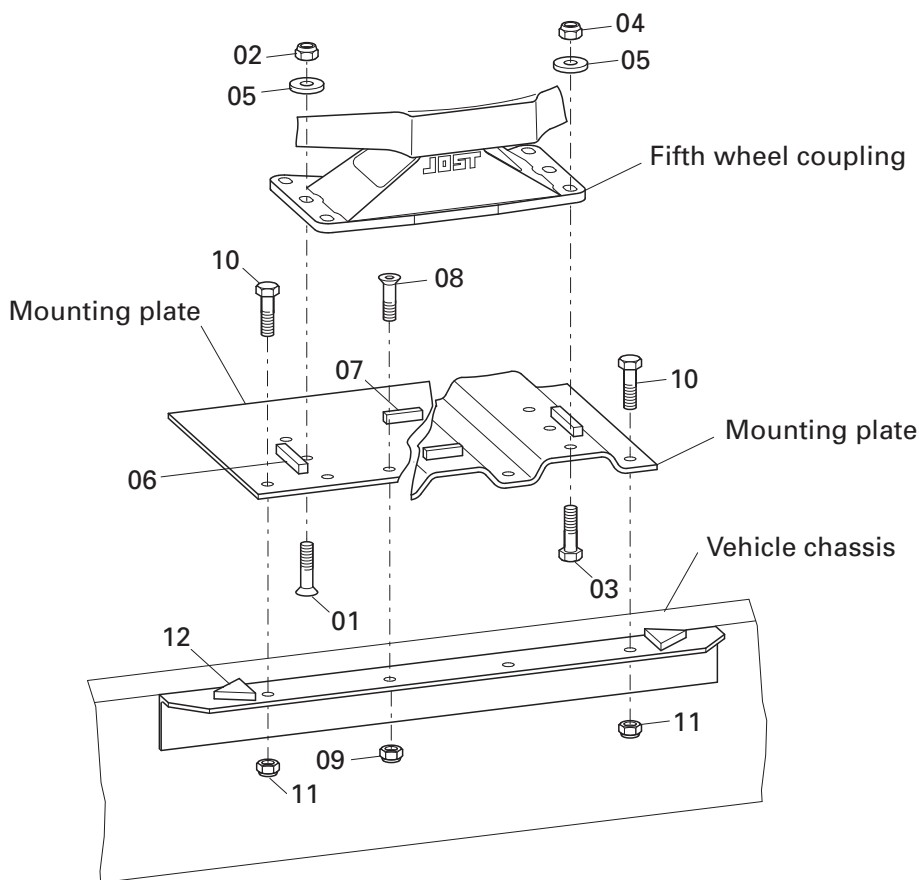
Selection table for mounting plates and heavy duty fifth wheel couplings JSK 38 C1/G1

Mounting height (mm)	Mounting plate	Mounting height (mm) (MP)	Fifth wheel coupling	Mounting height (mm) (JSK)	Gross weight* (approx. kg)
206	MP 0117	16	JSK 38 C-1	190	276
206	MP 0118	16	JSK 38 C-1	190	284
230	MP 4125	40	JSK 38 C-1	190	264
230	MP 4126	40	JSK 38 C-1	190	271
290	MP 4125	40	JSK 38 C-1	250	279
290	MP 4126	40	JSK 38 C-1	250	286
306	MP 0117	16	JSK 38 G-1	290	351
306	MP 0118	16	JSK 38 G-1	290	359
330	MP 4125	40	JSK 38 G-1	290	339
330	MP 4126	40	JSK 38 G-1	290	346
210	MP 0925	20	JSK 50	190	418

* Total weight without fixings

Other mounting plates available on request.

Mounting kits JSK 38 C1 / G1



Mounting kit consisting of (Quantity per kit):

Item	Description	SK 2410-13 (16 mm)	SK 2410-05 (40 mm)	SK 2410-01 (40 mm)	SK 2410-03 (40 mm)
01	Countersunk bolts M16 x 70	4			
02	Hexagon nuts M16	4			
03	Hexagon bolts M16 x 1,5 x 60		12	12	
03	Hexagon bolts M16 x 1,5 x 70	8			
04	Hexagon nuts M16 x 1,5	8	12	12	
05	Washers 17	12	12	12	
06	Stop blocks 25 x 12/100 mm	4	4	4	
07	Stop blocks 25 x 12/60 mm	2	2	2	
08	Countersunk bolts M20 x 50	4			
09	Hexagon nuts M20	4			
10	Hexagon bolts M20 x 1,5 x 50	4	8		8
11	Hexagon nuts M20 x 1,5	4	8		8
12	Stop blocks 65 x 12/65 mm	4	4		4

Accessories

Automatic lubricator

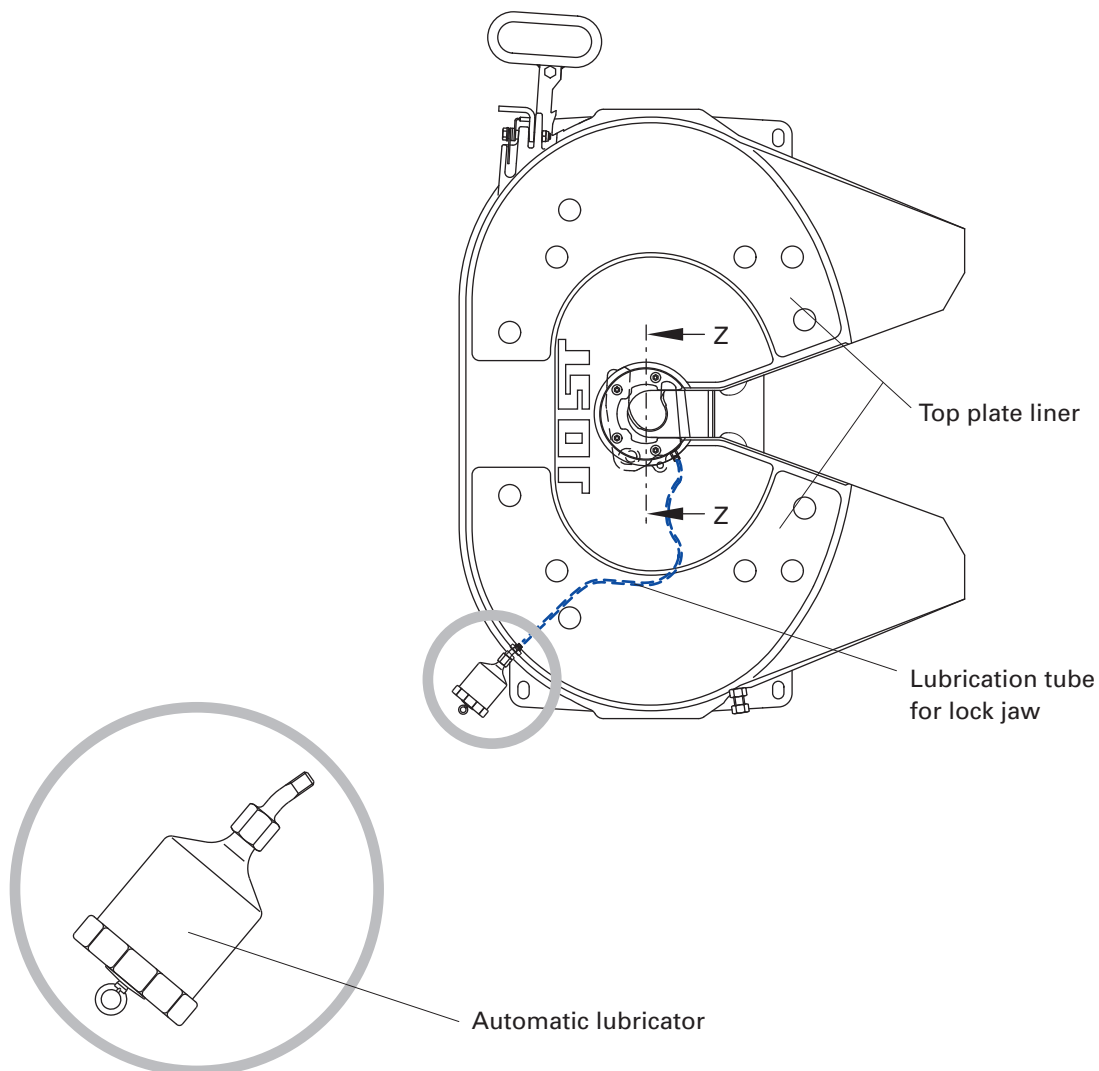
All users of low-maintenance JOST couplings can save time and money by fitting an automatic lubricator because it will grease the fifth wheel lock jaw for up to six months.

Due to the unavoidable dirt and corrosion that affect the top plate and king pin in every use, we recommend the following:

- Clean at regular intervals
- Apply a thin film of grease to the skid plate
- Grease the fifth wheel coupling pin and lock jaw
- Use an automatic lubricator

This servicing work must be completed at least every 50,000 km or every six months, and in tough operating conditions every 25,000 km. The automatic lubricator supplies the lock jaw with the requisite grease through the connection at the edge of the fifth wheel coupling plate. Please also see the mounting and operating instructions for the automatic lubricator.

Order No.: SK 3108-012



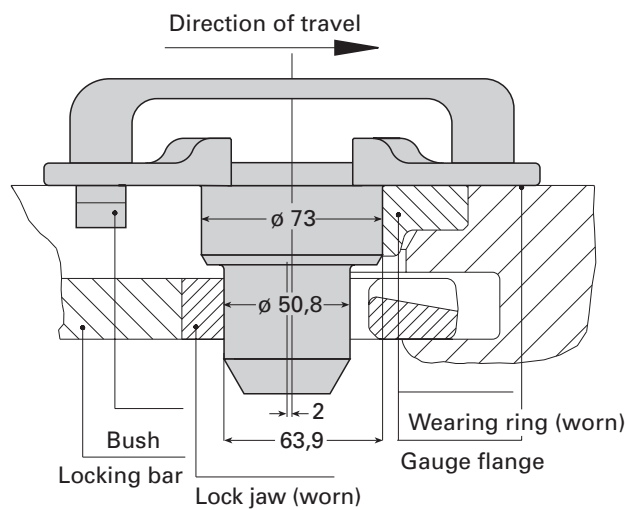
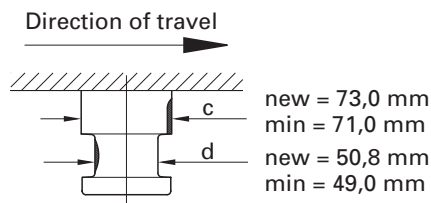
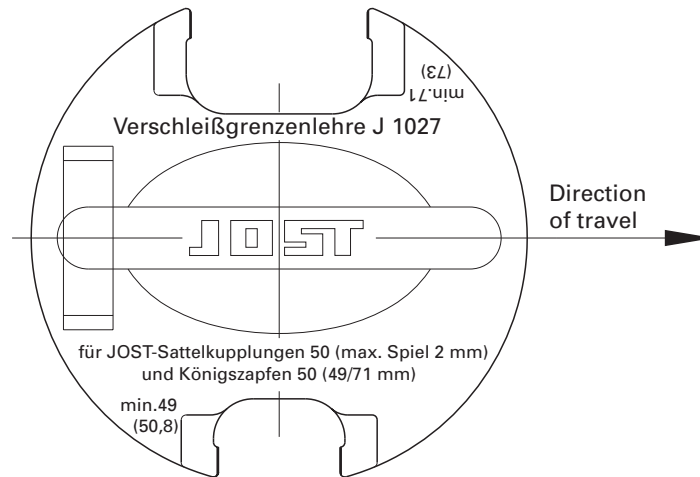
Accessories Wear limit gauge 2"

The JOST wear limit gauge may be a valuable tool for you. The lock on JOST fifth wheel couplings is adjusted at the factory to provide initial horizontal play of approx. 0.3 mm in the direction of travel with a new king pin.

This longitudinal play may increase to 2 mm as a result of wear on the lock jaw or wearing ring. 2" fifth wheel couplings (Class G 50) from JOST offer infinite adjustment to compensate for wear in the coupling lock. Only

when this adjustment distance has been exhausted does the fifth wheel coupling need to be repaired. The JOST wear limit gauge makes it possible to determine whether the lock on a 2" JOST fifth wheel coupling or a 2" king pin has reached or exceeded the permitted wearing limit while the coupling is disconnected and closed.

Order No.: J 1027



(Locking mechanism shown at the limit of wear)

Note:

Further instructions for testing when coupled are given in the JOST instructions for fifth wheel couplings.