

Products for articulated vehicle semi-trailers trailers





JOST

www.jost-world.com

This catalogue contains our complete range of products and the appropriate spare parts for **articulated vehicle equipment, semi-trailers and trailers**. The dimensions given are those most frequently encountered. The models with their numerous variations are depicted by way of the type designations.

We reserve the right to make **changes to the technical specifications** of all the products depicted in this catalogue. Please refer to the appropriate documentation for installation, assembly and repair instructions. You can find further technical details and information (e.g. mounting and operating instructions) as well as terms of guarantee at www.jost-world.com.

General information

Available product series and designs are specified in the respective selection tables by means of an order reference number.

If you do not intend to unpack and fit the products immediately on delivery, please store them in a dry place. According to their weight the products are transported, in carton, in crates or on Euro pallets. We recommend the use of a lifting truck, forklift or crane for handling pallets or crates.

How to contact us:

JOST-Werke
Siemensstraße 2
D-63263 Neu-Isenburg

Phone: +49 (0) 61 02/2 95-0
Fax: +49 (0) 61 02/2 95-2 98
E-Mail: jost-sales@jost-werke.de



Ball bearing turntables and slewing rings

Page 8 - 13

General features, fitting and component parts	Page	8 - 9
Ball bearing turntables KLK HE and SO	Page	10
Slewing rings KDL 900	Page	11
Ball bearing turntables KLK L and N	Page	12
Ball bearing turntables KLK ND	Page	12



Systems

Page 14 - 29

General features, fitting and component parts	Page	14
KKS (Automatic coupling system)	Page	14 - 20
SKS (Sensor coupling system)	Page	21 - 22
Sensor coupling	Page	23 - 25
Flashtronic	Page	26
Lubetronic 1point	Page	27
Lubetronic 5point	Page	28 - 29



Fifth wheel couplings and mounting plates

Page 30 - 83

General features, fitting and component parts, product overview	Page	30 - 35
2" fifth wheel couplings JSK 26	Page	36
2" fifth wheel couplings JSK 36	Page	37 - 40
2" fifth wheel couplings JSK 37	Page	41 - 58
2" fifth wheel couplings JSK 42	Page	59 - 68
3 1/2" heavy duty fifth wheel couplings JSK 38	Page	69 - 74
3 1/2" heavy duty fifth wheel couplings JSK 50	Page	75 - 76
Mounting plates and mounting kits for 2" fifth wheel couplings	Page	77 - 78
Mounting plates and mounting kits for 3 1/2" heavy duty fifth wheel couplings	Page	79 - 80
Accessories		
Automatic lubricator	Page	81
Wear limit gauge 2"	Page	82



Dual-height fifth wheel systems

Page 84 - 91

General features, fitting and component parts	Page	84
Dual-height fifth wheel systems JSK DH	Page	85 - 87
Dual-height fifth wheel systems RO*66 Hydra Lift	Page	88 - 91



Sliders

Page 92 - 99

General features, fitting and component parts	Page	92
Sliders JSK SL	Page	93 - 95
Sliders EV HD	Page	96 - 97
Sliders EV M	Page	98
General information / Terms of guarantee	Page	99



2" and 3 1/2" king pins

Page 100 - 109

General features, fitting and component parts	Page	100 - 101
Product overview	Page	101
King pins KZ 1108 / 1110 / 1112; KZ 1116 / 1120	Page	102 - 103
King pins KZ 1008 / 1010 / 1012; KZ 1410 / 1412	Page	104
King pins KZ 1016; KZ 1516	Page	104
King pins KZ 1416; KZ 2816	Page	105
King pins KZ 1312	Page	105
Spare parts King pinz KZ 10., 14., 15., 28..	Page	106
Accessories		
Steering wedge SK 2122-40	Page	107
King Pin Lock for semi-trailer DS 2000, DS 2000 G	Page	108



Landing gear

Page 110 - 159

General features, fitting and component parts	Page	110 - 111
Modul B		
Product overview Modul B	Page	112 - 115
Modul C		
Product overview Modul CB / Modul CC / Modul CD / Modul CF Modul CH / Modul CI / Modul CK / Modul CS / Modul CT / Modul CW / Modul CY	Page	116 - 153
L500		
Product overview landing gear L500	Page	154 - 156
E 100		
Product overview landing gear E 100/140 (Aluminium version)	Page	157 - 158
Easy Drive		
Product overview Easy Drive and accessories	Page	159



Hubodometers and axle caps

Page 160 - 164

General features, fitting and component parts	Page	160
Order numbers for hubodometers (rolling circumference / tyre size table)	Page	161
Special axle cap with integrated hubodometer ffor axles manufactured by Daimler	Page	162
For axles manufactured by BPW ECO	Page	163

JOST



Original spare parts

Some people might view fifth wheels, telescopic landing gear and king pins as possibly the least exciting components of a high-tech commercial vehicle. But as every lorry driver knows, nothing whatsoever works without them. And because these components are in service for hundreds of thousands of kilometres every day, they need to be safe and reliable.

The use of top-quality materials guarantees outstanding safety, while computer-controlled production plants and fully qualified staff ensure flawless quality "Made in Germany".

And that's the least you should demand when it comes to spare parts, too.

How much do you value your safety?

JOST products are crucial safety components that are subject to mandatory design approval and bear a mark of conformity.

It is important to bear in mind that these only retain their validity if original spare parts are used. The manufacturer's guarantee – e.g. for the faultless operation of fifth wheel couplings for 500,000 km – also only applies if original JOST spare parts have been fitted.

A simple example demonstrates just how important the quality of spare parts is: king pins and the lock jaws of the fifth wheel coupling hold the whole unit together. And in an emergency – such as an accident – the connection must be able to hold 2 1/2 times the vertical load on the tractor.

Check wearing parts for safety's sake

Thanks to their superior quality, all JOST products are designed for long-term, reliable operation.

However, it is of course crucial that service intervals are maintained and wearing parts are replaced in good time. And JOST can offer you a helping hand with that in many ways.

For example, the JOST wear limit gauge could be an important aid for you: the locking mechanism of 2" fifth wheel couplings is factory-adjusted so that with a new king pin there is horizontal play of approx. 0.3 mm in the direction of travel. This horizontal play may increase to as much as 2 mm when the lock jaw or wearing ring become worn. JOST fifth wheel couplings provide for infinitely variable adjustment to compensate for wear in the locking mechanism. Only when these adjustment options have been exhausted is it necessary to replace the wearing parts. With the JOST wear limit gauge, you can identify uncoupled whether the locking mechanism of a 2" fifth wheel coupling or a 2" king pin has reached or exceeded the permissible limit of wear.



You can find the latest technical information on the Internet at

www.jost-world.com

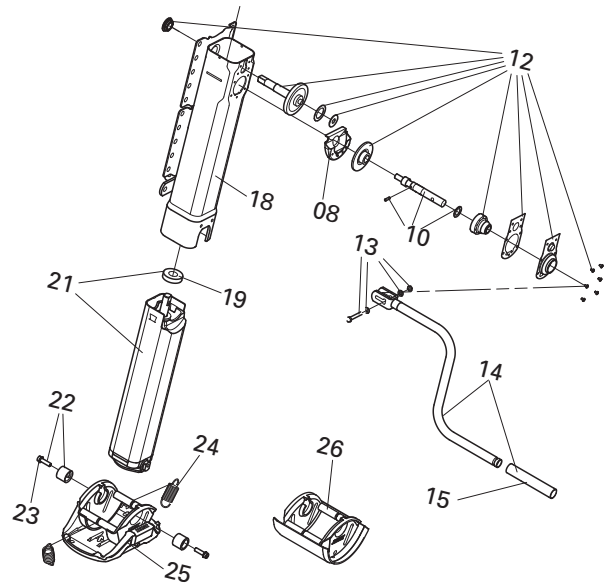
Original spare parts – the right selection, the right quantity, available worldwide!

To us, service means fulfilling the needs of the market. That's why at JOST you can order almost any component of a product individually.

You will find a product and a table of spare parts for each assembly unit in our catalogue, where you will also find the order number and the quantity of each part necessary for the product.

To make sure that your vehicles are on the road and not sitting in the garage, rapid availability of spare parts is also crucial. The worldwide supply of original spare parts in the shortest possible times offers you the necessary security that only a truly worldwide manufacturer, like JOST, can provide.

And in case you don't happen to have a catalogue to hand, you can find your spare parts easily on the Internet, wherever you are. At www.jost-world.com, all our products are presented with their relevant spare parts and updated daily.



Repair and retrofit kits – practical combinations, years of experience

JOST has been active in the market for more than 50 years. We know what demands are placed on our products, and by working closely with our clients we are able to develop and optimise our designs.

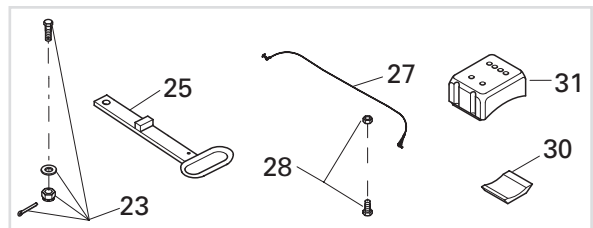
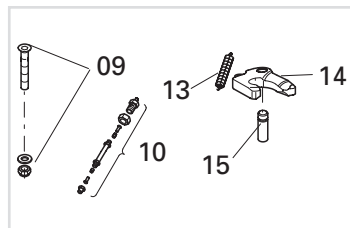
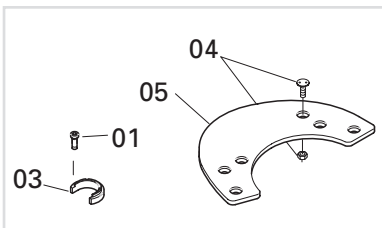
And the same goes for the repair kits. The most important wearing parts can be ordered under one article number. Repair kits are available, for example, for the following:

- Fifth wheel coupling locking mechanisms
- Top plate liners for low-maintenance fifth wheel couplings
- Fifth wheel coupling bearings
- Telescopic landing gear

Sand shoes and pins are also available individually for king pins.

The retrofit kits ensure flexibility, allowing all fifth wheel couplings to be fitted with a handle extension at a later date, for example. The locking mechanism of heavy-duty fifth wheel couplings from the JSK 38 series can be altered from 3 1/2" to 2".

All telescopic landing gear can be fitted with various feet. This is particularly simple in the case of Modul which has a quick-change system, enabling you to swap between the different types of feet in no time at all.





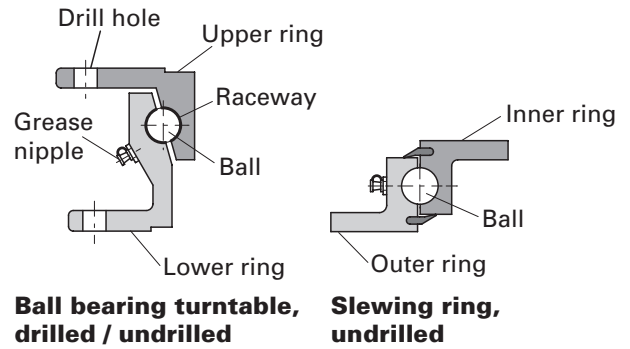
1 Ball bearing turntables and slewing rings

Ball bearing turntables and slewing rings are parts for fitting onto trailers and agricultural vehicles to connect the A-frame to the trailer chassis so it can swivel.

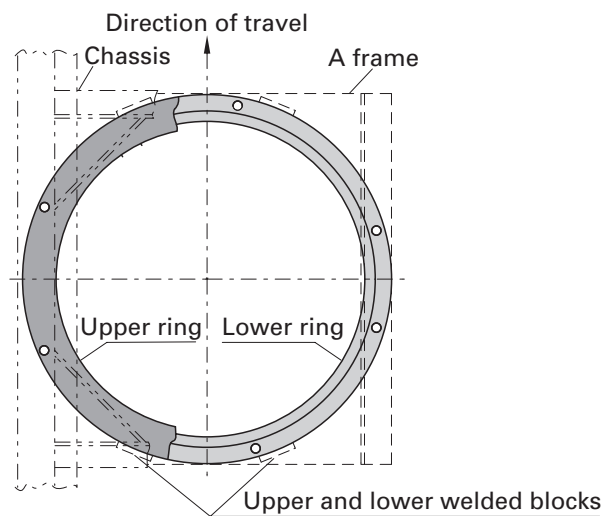
Ball bearing turntables and slewing rings must always be operated as set out in the relevant operating instructions for the particular vehicle. Compliance with "TÜV" Safety Regulations and Motor Vehicle Safety Standards (StVZO) is required in Germany.

JOST ball bearing turntables and slewing rings cover the complete spectrum of trailer technology and have a solution to suit all applications.

Design/features

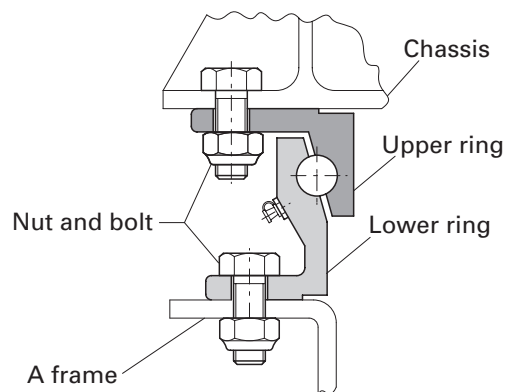


The ball bearing turntables and slewing rings allow the bogie to turn relative to the trailer frame. They transfer both the axial force and the thrust and tensile forces that occur during a journey.



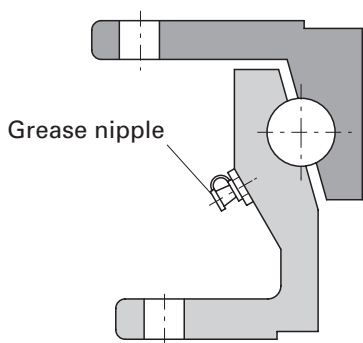
The lower ring/outer ring is bolted on to the A-frame and the upper ring/inner ring is bolted to the chassis. The A-frame, ball bearing turntable or slewing ring and chassis must never be welded together. Pre-welded stop blocks relieve the shear load on the bolts resulting from horizontal forces.

The ring must be mounted on a completely flat and rigid base with at least 50 % of the circumference adequately supported.

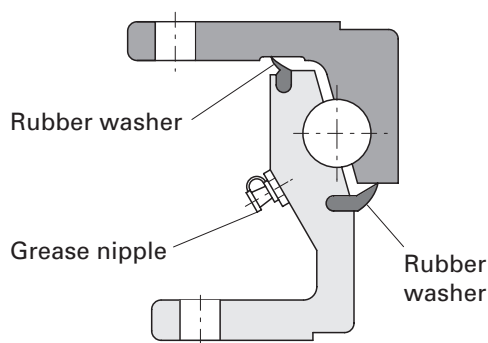


Ball bearing turntables are available as standard drilled and undrilled, slewing rings are available undrilled. Special drill templates are available upon request.

Maintenance



Standard



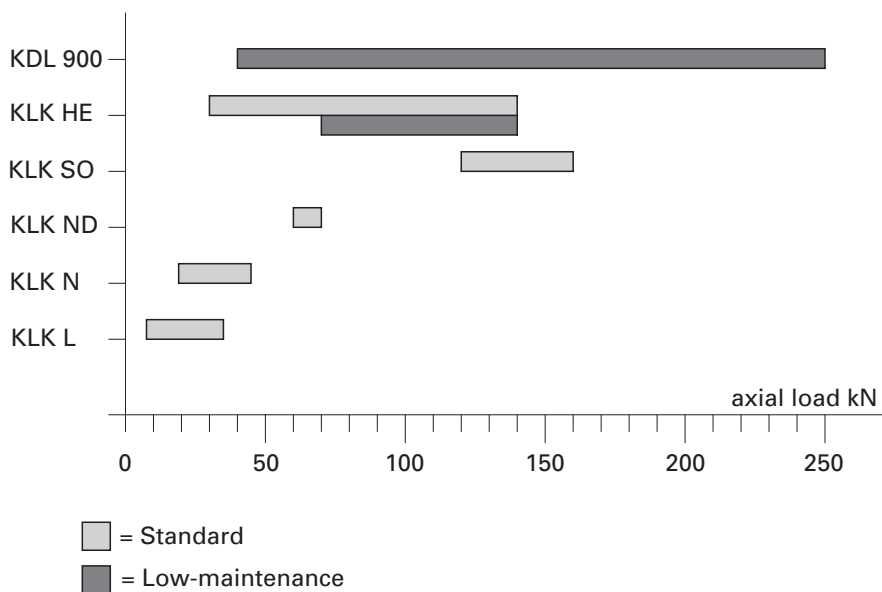
Low-maintenance

JOST standard ball bearing turntables are supplied with a thin base coating of lubricant. Before it is used for the first time the ball bearing turntable must be lubricated thoroughly. See JOST installation and operating instructions.

Connection to the central vehicle lubrication system is possible (grease is essential, rather than oil).

The low-maintenance versions of ball bearing turntables and slewing rings mean they do not have to be maintained for up to three years or 300,000 km. After this period they must be serviced in the same way as standard turntables. The low-maintenance models are distinguished by a green type plate and by the letter "W" at the end of the item number. Maintenance conditions differ when fitted to steered semi-trailers or in the case of heavy conditions of use. The maximum storage period for maintenance-free ball bearing turntables and slewing rings is three years.

Axial load



The range of applications for ball bearing turntables and slewing rings depends on the maximum axle load. JOST ball bearing turntables and slewing rings cover an axle load range from 7.5 to 250 kN.

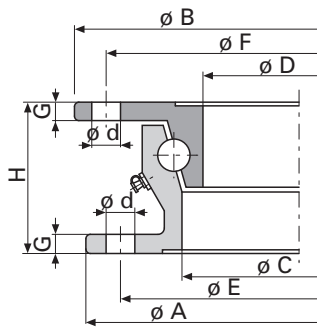
The specified axle loads for series KDL, HE, SO and ND relate to use where the slewing ring is mounted on the front axle of a trailer with three axles and fifth wheel steering, travelling at speeds of up to 100 kph (65 mph). On dual-axle trailers, the specified axle loads can be exceeded by 10% or 20% at speeds below 30 kph (18 mph).

All load data for series KDL, HE, SO, ND, L and N apply to use on roads in fifth wheel steering systems and for paved standard road conditions in Central Europe.

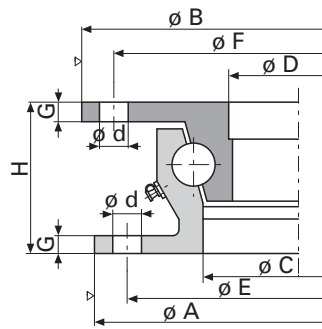
If the ball bearing turntable and slewing ring are to be mounted above the steered axle and above the king pin on semi-trailers, please ask JOST for the load data, giving details of the vehicle. Any deviations are given on the specification sheet.

Ball bearing turntables KLK HE and SO

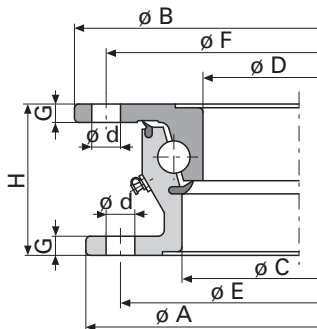
Technical Specification



**KLK HE
Standard**



**KLK SO
Standard**

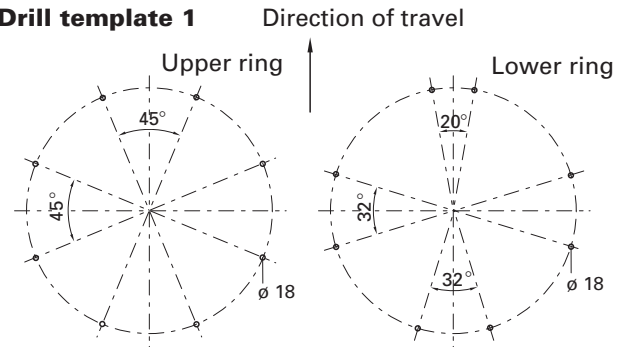


**KLK HE
Low-maintenance**

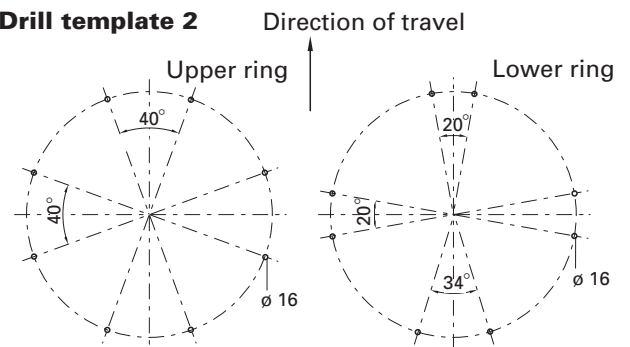
Included in supply

- Standard / Low-maintenance (HE series)
- Drilled / Undrilled
- Primed
- Special drill templates available upon request

Drill template 1



Drill template 2



Selection table / Versions available

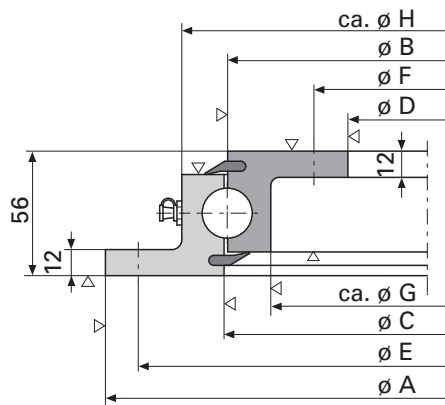
Order No.	Permitted axial load (kN)	A (mm)	B (mm)	C (mm)	D (mm)	E (mm)	F (mm)	d (mm)	G (mm)	H (mm)	Weight (appr. kg)	WA	Drill template No.
KLK HE 4	30	685	700	588	567	657	671		9	80	32.0	Standard	Undrilled
KLK HE 5	50	880	895	783	762	852	866	16	9	80	43.0	Standard	2
KLK HE 6-1000	60	1000	1015	903	882	972	986		9	80	48.0	Standard	Undrilled
KLK HE 6	65	1090	1105	993	972	1060	1074	18	9	80	52.0	Standard	1
KLK HE 12-1000	70	1000	1011	886	859	960	974		10	90	63.0	Standard	Undrilled
KLK HE 12-1000 W	70	1000	1008	881	850	960	974		10	90	65.0	Low-mainte.	Undrilled
KLK HE 12	80	1100	1111	986	959	1060	1074	18	10	90	69.0	Standard	1
KLK HE 12 W	80	1100	1108	977	946	1060	1074	18	10	90	72.0	Low-mainte.	1
KLK HE 18-1000	80	1000	1011	886	859	960	974		10	90	63.0	Standard	Undrilled
KLK HE 18-1000 W	80	1000	1008	881	850	960	974		10	90	65.0	Low-mainte.	Undrilled
KLK HE 18	100	1100	1111	986	959	1060	1074	18	10	90	69.0	Standard	1
KLK HE 18 W	100	1100	1108	981	950	1060	1074	18	10	90	72.0	Low-mainte.	1
KLK HE 1000-22	100	1000	1011	886	859	960	974		10	90	63.0	Standard	Undrilled
KLK HE 1000-22 W	100	1000	1008	881	850	960	974		10	90	65.0	Low-mainte.	Undrilled
KLK HE 1100-22	120	1100	1111	986	959	1060	1074	18	10	90	69.0	Standard	1
KLK HE 1100-22 W	120	1100	1108	981	950	1060	1074	18	10	90	72.0	Low-mainte.	1
KLK SO 1000-24	120	987	1000	873	842	952	966		10	90	68.0	Standard	Undrilled
KLK HE 1200-22	130	1200	1211	1086	1059	1160	1174	18	10	90	76.0	Standard	1
KLK HE 1200-22 W	130	1200	1208	1081	1050	1160	1174	18	10	90	80.0	Low-mainte.	1
KLK HE 1300-22	140	1300	1311	1186	1159	1260	1274		10	90	84.0	Standard	Undrilled
KLK HE 1300-22 W	140	1300	1308	1181	1150	1260	1274		10	90	89.0	Low-mainte.	Undrilled
KLK SO 1100-24	160	1095	1108	981	950	1060	1074	18	10	90	75.0	Standard	1
KLK SO 1200-24	180	1195	1208	1081	1050	1160	1174		10	90	83.0	Standard	Undrilled

Explanations:

WA / Maintenance

Slewing ring KDL 900

Technical Specification



∇ = Shaped profile

Included in supply

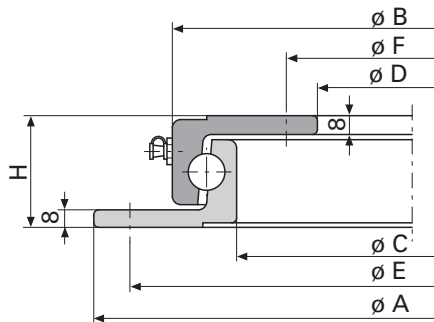
- Low-maintenance
- Undrilled
- Hardened bearings
- Primed
- Special drill templates available upon request

Selection table / Versions available

Order No.	Permitted axial load (kN)	A (mm)	B (mm)	C (mm)	D (mm)	E (mm)	F (mm)	G (mm)	H (mm)	Weight (appr. kg)
KDL 900-1 W	40	520	409	412	302	490	332	371	451	25.0
KDL 900-2 W	80	650	539	542	432	620	462	501	581	32.0
KDL 900-3 W	120	750	639	642	532	720	562	601	681	39.0
KDL 900-4 W	150	850	739	742	632	820	662	701	781	45.0
KDL 900-5 W	180	950	839	842	732	920	762	801	881	51.0
KDL 900-6 W	210	1050	939	942	832	1020	862	901	981	57.0
KDL 900-7 W	250	1200	1089	1092	982	1170	1012	1051	1131	67.0

Ball bearing turntables KLK L and N

Technical Specification



Included in supply

- Standard
- Undrilled
- Primed

Scope

Application	Speed	Series
Farm vehicle	up to 30 km / h	L
Transport equipment	up to 30 km / h	L
Farm vehicle, heavy	over 30 km / h	N
Truck trailer, light	over 30 km / h	N

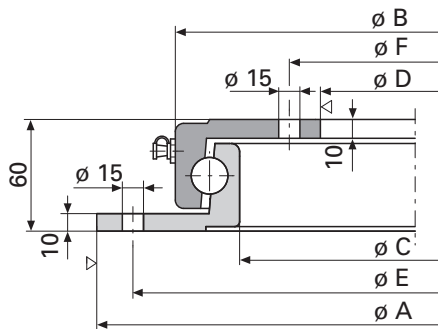
At a speed of less than 30 kph the maximum axial load for the N series can be increased by 30 to 50.

Selection table / Versions available

Order No.	Permitted axial load (kN)	A (mm)	B (mm)	C (mm)	D (mm)	E (mm)	F (mm)	H (mm)	Weight (appr. kg)
KLK 400L	7.5	400	342	292	230	375	260	45	11.0
KLK 500L	9	500	442	392	330	475	360	45	15.0
KLK 650L	15	650	592	542	480	625	510	45	20.0
KLK 750L	18	750	692	642	580	725	610	45	23.0
KLK 850L	25	850	792	742	680	825	710	45	27.0
KLK 950L	30	950	892	842	780	925	810	45	30.0
KLK 1050L	35	1050	992	942	880	1025	910	45	34.0
KLK 500N	18	500	437	384	315	475	340	52	17.0
KLK 650N	25	650	587	534	465	625	490	52	23.0
KLK 750N	30	750	687	634	565	725	590	52	28.0
KLK 850N	35	850	787	734	665	825	690	52	32.0
KLK 950N	40	950	887	834	765	925	790	52	36.0
KLK 1050N	45	1050	987	934	865	1025	890	52	40.0

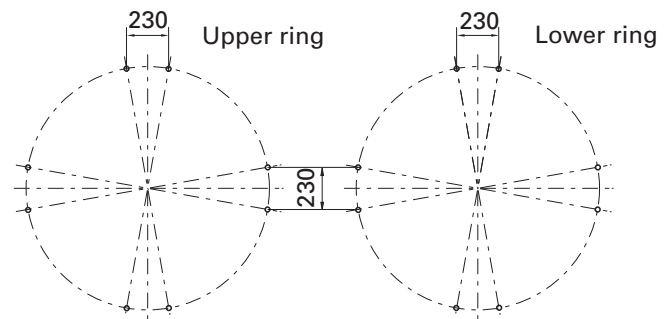
Ball bearing turntables KLK ND

Technical Specification



Included in supply

- Standard
- Drilled
- Primed



Selection table / Versions available

Order No.	Permitted axial load (kN)	A (mm)	B (mm)	C (mm)	D (mm)	E (mm)	F (mm)	Weight (appr. kg)
KLK 950 ND	60	952	885	821	750	920	780	52.0
KLK 1100 ND	70	1102	1027	963	890	1070	920	61.0