



## 2 Systems

**Coupling systems from JOST employ cutting edge electronic technology to increase safety and comfort. Three variations are currently available to handle different demands:**

**KKS is the groundbreaking automatic coupling system from JOST. The tried and tested components – the JSK 42 fifth wheel coupling and the Modul telescopic landing gear – form a complete system that offers our clients many advantages. The coupling process has been automated and the locking position is constantly controlled. All system components are electronically actuated. A gradual introduction of KKS into mixed fleets of vehicles is also possible, of course.**

**In the SKS sensor coupling system, three sensors constantly monitor the status of the fifth wheel coupling. The coupling is opened comfortably and in a time-saving manner using a remote control in the driver's cab.**

**During sensor coupling, the locking position is also constantly controlled by sensors and displayed via remote display in the driver's cabin.**

## KKS (Automatic coupling system)

KKS automates the coupling process and features electronic monitoring for improved safety.

### Additional comfort

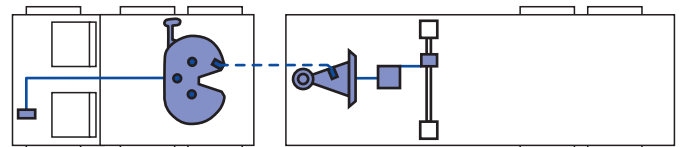
- No need to operate the fifth wheel coupling manually. KKS makes problems such as poor visibility, dirt or difficult access a thing of the past.
- No need to crank the landing gear manually. KKS performs this strenuous activity for you automatically – a particularly beneficial aspect since it is a job that often has to be undertaken in cramped conditions.
- Reduces the number of times you need to get in and out of your truck and walk round it.
- The automatic feature saves time when changing trailers.
- The pneumatic mechanism of the lock enables the fifth wheel coupling to be opened effortlessly at all times, even when the tractor/trailer unit is under tension.

### Increased safety

- All system components are electronically monitored. This significantly reduces the risk of an incorrect coupling procedure or an accident due to lack of care when coupling.
- Fewer manual operations and less getting in and out of your cab add up to a significantly reduced risk of accidents for the user.
- The system is continuously self-monitoring.
- All components can still be operated mechanically without restrictions.

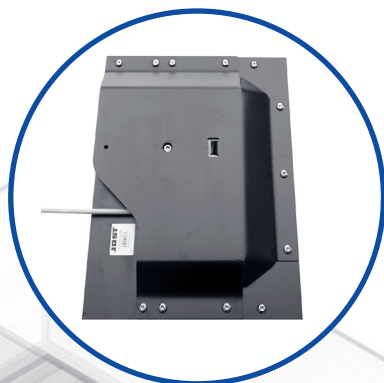
### Modular system

- KKS can be introduced and rolled out gradually throughout the fleet.
- It goes without saying that a standard trailer can be hitched up to a truck equipped with KKS without any problems.



## Cable drum

The cable drum adapts the length of cable when cornering and ensures that the tension on the cable is always at the optimum level.



## Drive

The drive fits on every pair of JOST telescopic landing gear with a connection shaft, excepting those with folding and drop legs. It is pushed onto the connecting shaft and is responsible for moving the landing gear units automatically. The kit contains an articulated crank handle that is designed for the JOST landing gear type module.

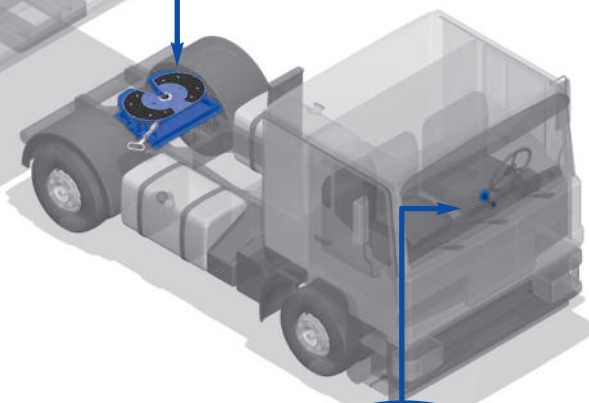
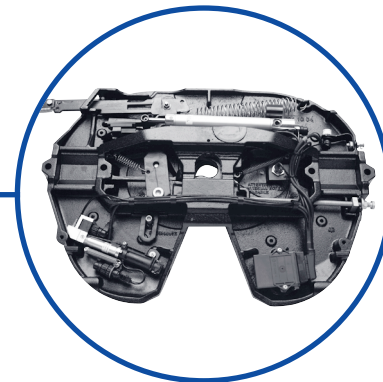


## Wedge

The wedge is in a rotating bearing on the king pin. This is where the interface to the fifth wheel coupling is located. Signals are transmitted between the truck and the trailer via this interface.

## JSK 42

The JSK 42 fifth wheel coupling is pneumatically operated and is equipped with three sensors. The first of these provides information about the correct connecting height and switches the system on automatically during the connecting process. The second controls the position of the king pin and the third checks the locking position. The newly developed interface provides contact with the semitrailer.



## Remote control

The remote control in the cab checks whether the fifth wheel coupling is locked and displays this information in the cab. It also monitors the lifting and lowering of the landing gear units and checks both the coupling plate distance and the position of the king pin. All actions are controlled using the remote control.

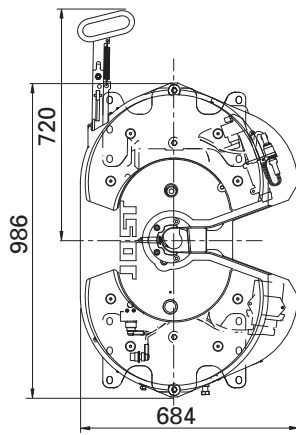


## Technical Specification

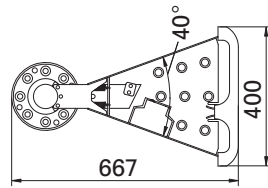
The automatic coupling system complies with the following directives / standards: 94/20/EC – class G50, DIN 74081, ISO 3842, in this version and/or 95/54/EC for directive 72/245/EEC.

**Note:**

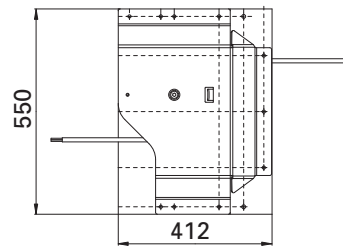
Before installing KKS, please make sure that electric and air connections are available.



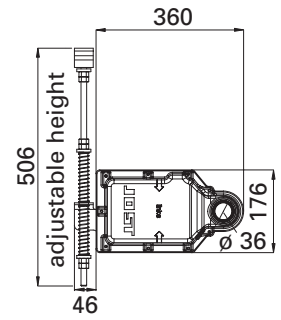
Fifth wheel coupling



Wedge



Cable reservoir



Drive

## Selection table / Versions available

### Plate mounting

Order No.	LB	H (mm)	Weight (kg)	WA
JSK42K02079AA	K0	150	134.0	Z
JSK42K02080AA	K0	150	133.0	W
JSK42K03879AA	K0	185	132.0	Z
JSK42K03880AA	K0	185	131.0	W
JSK42K05779AA	K0	225	137.0	Z
JSK42K05780AA	K0	225	136.0	W
JSK42K07079AA	K0	250	142.0	Z
JSK42K07080AA	K0	250	141.0	W

Fifth wheel coupling for frame assembly available for various hole patterns

### Truck kit

#### (remote control unit and cable set)

Order No.	Order No.	Weight (kg)
JOST	Daimler	
SKE003790000	B67893725	2.4

### Trailer kit

#### (wedge, cable drum, drive and crank)

Order No.	Order No.	Weight (kg)
JOST	Daimler	
JS T01	B67893717	31.6

### Explanations:

WA / Maintenance

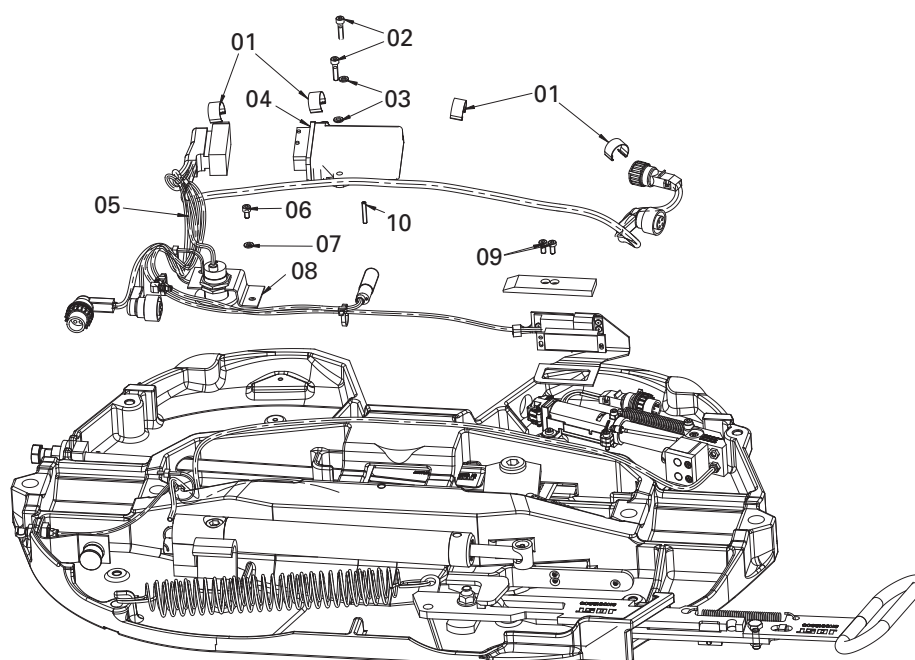
Z = Prepared for central lubrication

W = Low-maintenance version

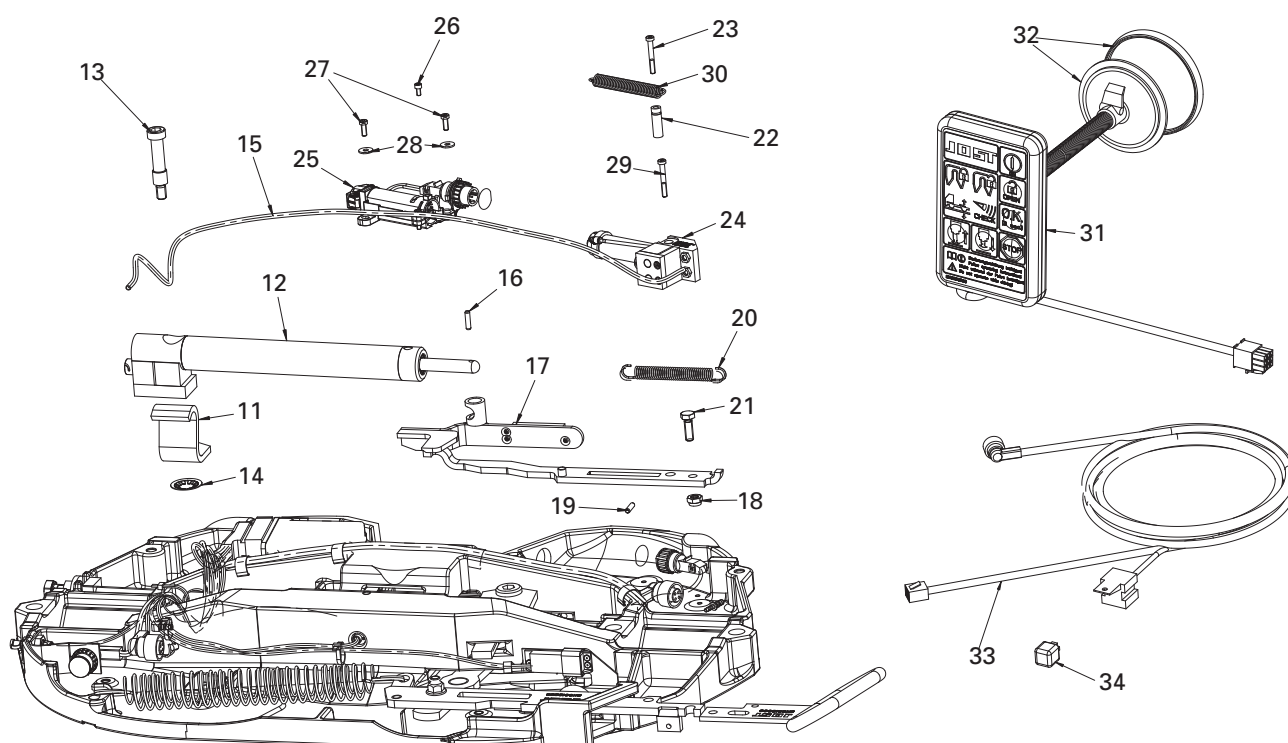
LB / Oval hole

# Fifth wheel coupling KKS

## Spare parts: Electronic and Sensors



## Spare parts: Electric and Pneumatics



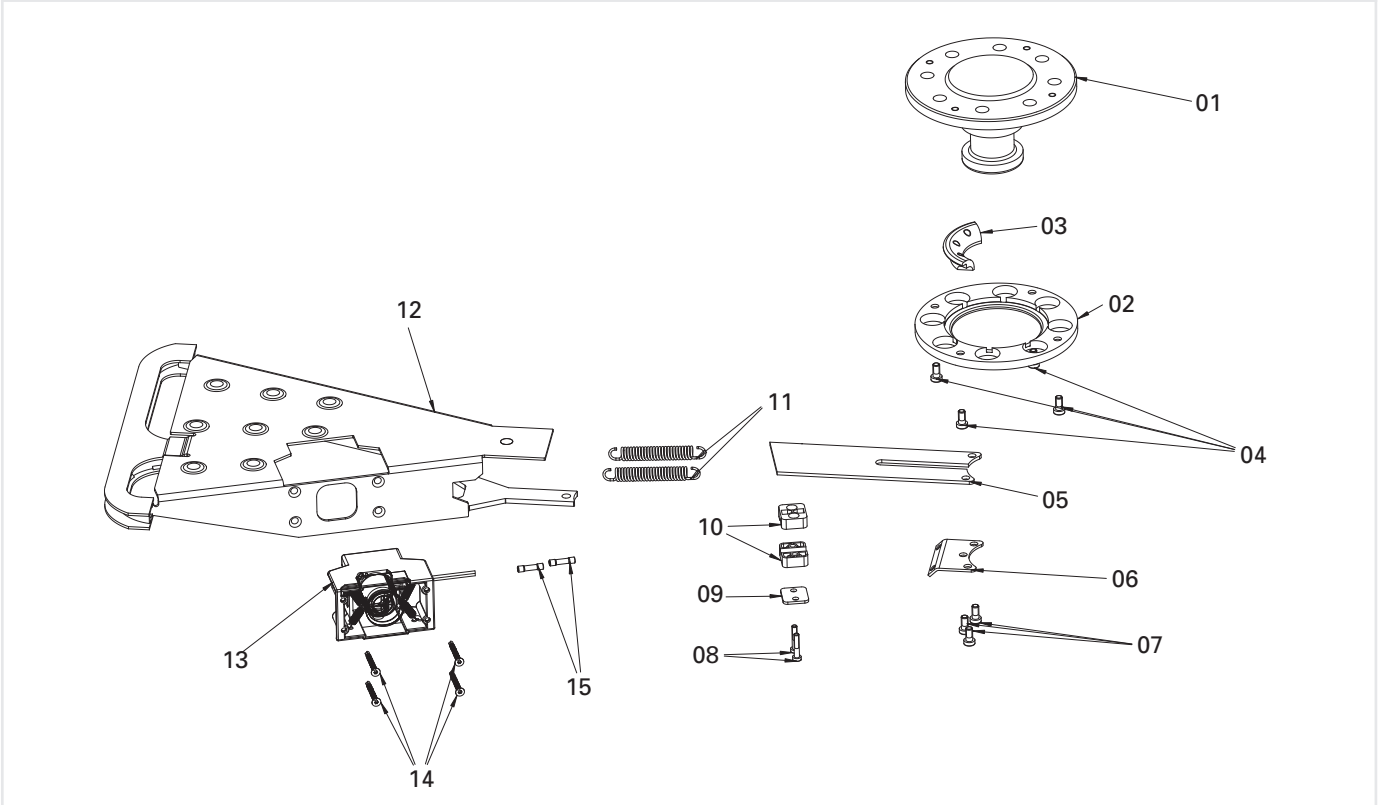
## Repair kits

Item	Description	Order No.	Item	Description	Order No.
31, 32	KKS display without activation of parking break	SKE003300000	12, 13, 14, 16, 18	Kit opening cylinder	SKE 003230100
31, 32	KKS display with activation of parking break	SKE003300200	15, oZ	Kit pneumatic pipe inbetween cylinders	SKE 003870100
33, 34	Kit trunk cable	SKE 003310200	04	KKS control device without activation of parking break	SKE003180000
34	Relay	SKE 003800100	04	KKS control device with activation of parking break	SKE003180200
01, 05, 06, 07, 08, 09, 10, oZ	Kit cable harness in 5th wheel	SKE 003190000	24, 26, 27, 28, 29	Kit cylinder for connector KKS	SKE 003380100
17, 18, 19, 20	Kit locking lever + magnet	SKE 001360100	01, 25, 26, 27, 28, 29	Kit connector KKS	SKE 003130100

Note: For spare parts for the fifth wheel coupling, see JSK 42

# Wedge KKS

## Spare parts

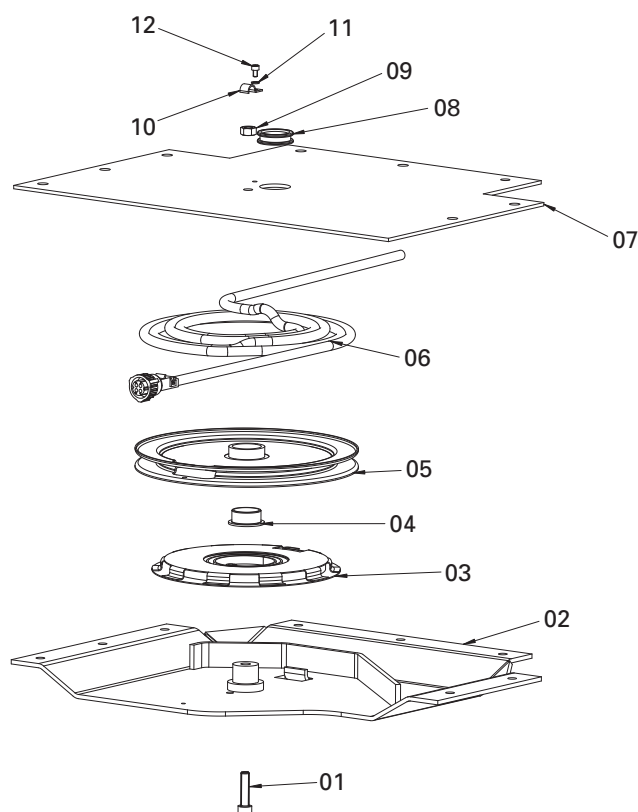


## Repair kits

Item	Description	Order No.	Item	Description	Order No.
01-14, 15	Kit wedge assembly	KGE 500150100	06, 07, 11	Kit wedge suspension	KGE 500230100
01, 04	Kit king pin	KGE 501201020	13, 14, 15	Connector KKS - wedge	KGE 500160100
02, 03, 04, 07	Kit wedge attachment	KGE 500100100	08, 09, 10, 15	Kit cable clamp	KGE 500130100
05, 06, 07, 11, 12, 14, 15	Kit wedge body	KGE 500070100			

# Cable reservoir KKS

## Spare parts

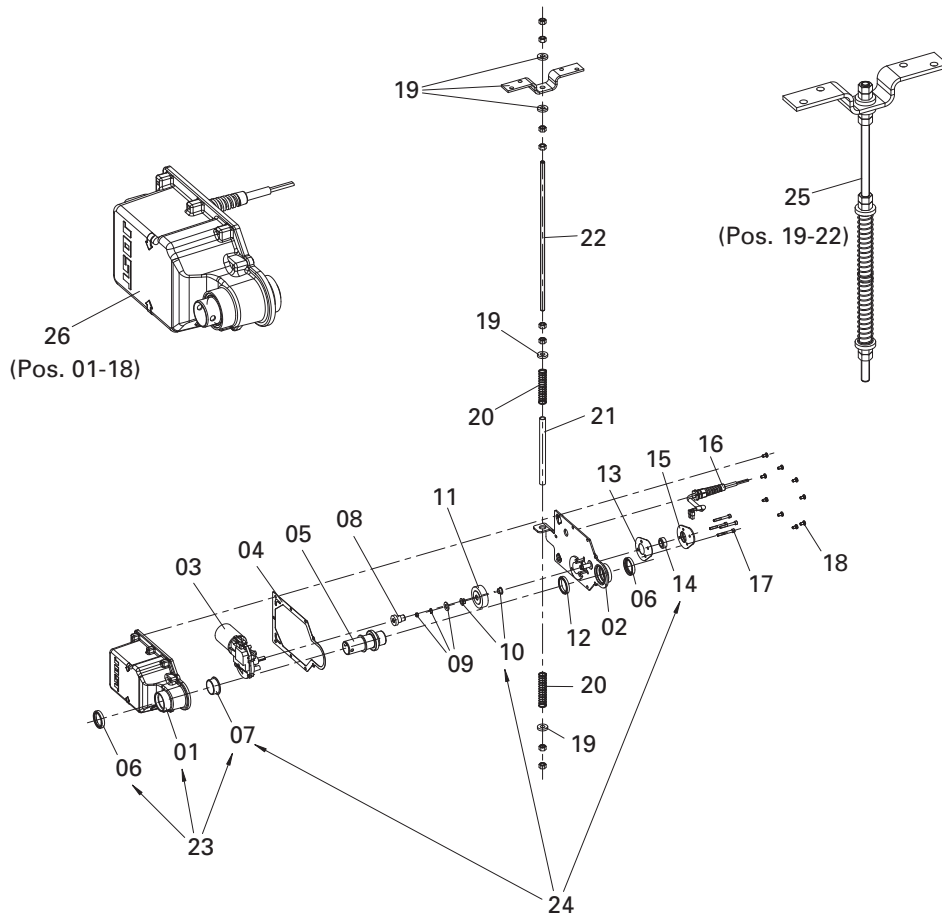


## Repair kits

Item	Description	Order No.	Item	Description	Order No.
01-13, 14	Kit cable reservoir assembly	KGE 500500100	01, 03, 04, 09, 14	Kit spring cable reservoir	KGE 500690000
01, 02, 09, 14	Kit cable reservoir - base tray	KGE 500510100	01, 04, 09, 14	Kit bearing cable reservoir	KGE 500550000
01, 07, 08, 09, 10, 11, 12, 14	Kit cable reservoir - cover plate	KGE 500610100	14	Kit Connector	NTE 001620100
06, 14	Kit cable reservoir - cable	KGE 500650100			

# Landing gear drive KKS + Easy Drive

## Spare parts



Item	Description	Remark	Order No.	per Drive	Item	Description	Remark	Order No.	per Drive
01	Housing aluminium		JS E7001700	1	14	Swing bearing		JS E7008900	1
02	Base plate		JS E7006400	1	15	Bearing plate		JS E7002300	1
03	Electric motor		JS E7001000	1	16	Cable		JS E7002900	1
04	Seal		JS E7001300	1	17	Screw M6x50		JS E7009000	4
05	Shaft	compl.	JS E7000200	1	18	Screw M6x25		JS E7009300	9
06	Sealing ring		JS E7008500	2	19	Set of nuts		JS E7009100	1
07	Bush		JS E7008600	1	20	Pressure spring		JS E7002700	2
08	Gearwheel		JS E7000900	1	21	Tube		JS E7002600	1
09	Set of lockings		JS E7008100	1	22	Thread rod		JS E7002500	1
10	Bush		JS E7008700	2	23	Housing assembly	with 01, 06, 07	JS E7000300	1
11	Gearwheel		JS E7000610	1	24	Bearing kit		JS E7008000	1
12	Ball bearing		JS E7008800	1	25	Support kit	with 19 - 22	JS E7002800	1
13	Seal		JS E7001200	1	26	Electric drive assembly	with 01 - 18	JS E7000100	1

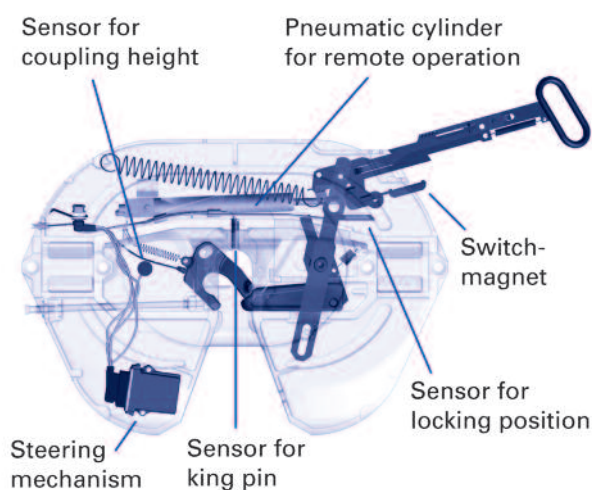
# SKS (Sensor coupling system)

## Technical Specification

The sensor coupling system complies with the following directives / standards: 94/20/EC – class G50, DIN 74081, ISO 3842, in this version and/or 95/54/EC for directive 72/245/EEC.

### Safe

- Three sensors for optimum safety when connecting
- A sensor permanently monitors the locking position and displays it in the driver's cabin
- A second sensor controls the position of the king pin
- A third sensor displays the correct coupling height in the driver's cab
- Additional locking mechanism check and increased safety even in poor visibility
- The fifth wheel coupling can still be operated mechanically



### Note:

Before installing SKS, please make sure that electric and air connections are available.

### Comfort

- Using the remote control unit in the cab, the lock can be opened simply at the push of a button
- Unnecessary shunting and fiddling become a thing of the past
- The pneumatic mechanism of the lock enables the fifth wheel coupling to be opened effortlessly at all times, even when the tractor/trailer unit is under tension



## Selection table / Versions available

### Plate mounting

Order No.	Pedestal	H (mm)	Weight (kg)	WA
JSK42K02049AA	DIN	150	133.0	Z
JSK42K02051AA	DIN	150	132.0	W
JSK42K03849AA	DIN	185	131.0	Z
JSK42K03851AA	DIN	185	130.0	W
JSK42K05749AA	DIN	225	136.0	Z
JSK42K05751AA	DIN	225	135.0	W
JSK42K07049AA	DIN	250	140.0	Z
JSK42K07051AA	DIN	250	139.0	W

### Truck kit

#### (remote control unit and cable set)

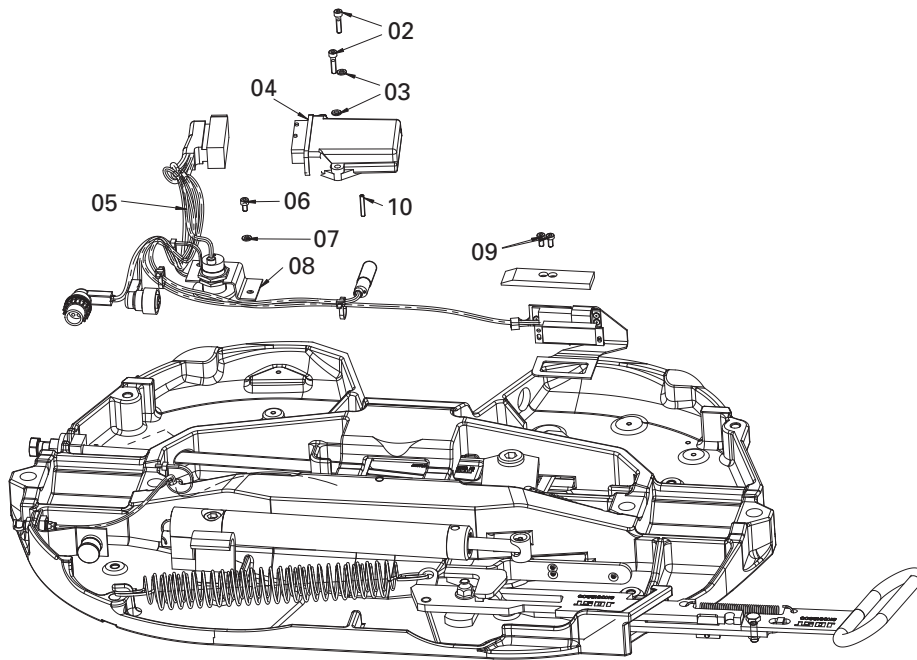
Order No.	Weight (kg)
SKE003790100	2.4

Also available for additional models in the **JSK 42** series

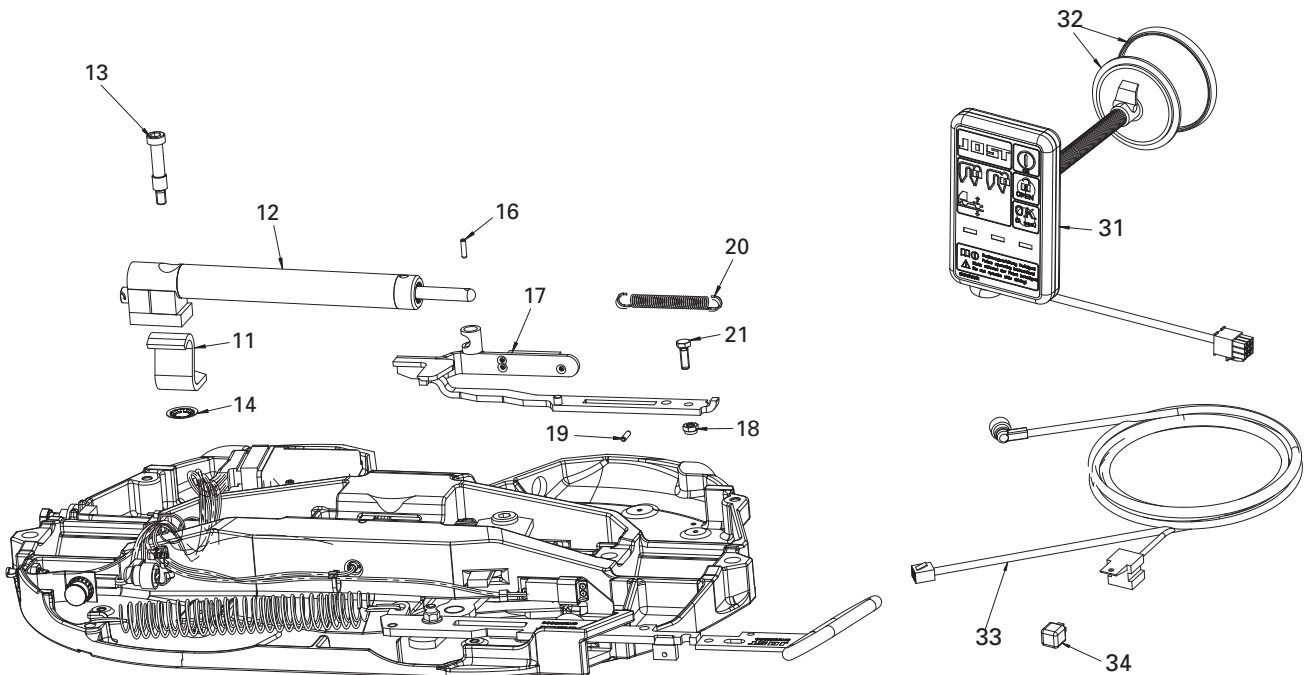


# Fifth wheel coupling SKS

## Spare parts: Electronic and Sensors



## Spare parts: Electric and Pneumatics



## Repair kits

Item	Description	Order No.	Item	Description	Order No.
31, 32	SKS display without activation of parking break	SKE 003300100	17, 18, 19, 20	Kit locking lever + magnet	SKE 001360100
31, 32	SKS display with activation of parking break	SKE 003300300	12, 13, 14, 16, 18	Kit opening cylinder	SKE 003230100
33, 34	Kit trunk cable	SKE 003310200	04	SKS control device without activation of parking break	SKE 003180100
34	Relay	SKE 003800100	04	SKS control device with activation of parking break	SKE 003180300
05, 06, 07, 08, 09, 10, oZ	Kit cable harness in 5th wheel	SKE 003190100			

Note: For spare parts for the fifth wheel coupling, see JSK 42

## Sensor coupling

### Safe solution with remote display

#### Technical Specification

The Sensor coupling complies with the following directives / standards:

94/20/EC – class G50, TÜ.EGG.095-05, DIN 74081, ISO 3842, 72/245/EEC and 95/54/EC

#### Design you can rely on

- A sensor permanently monitors the connection status while another sensor controls the position of the king pin.
- In order to ensure the highest level of safety, the sensor placed on the handle is mounted on the second lock / latch.
- An additional third sensor monitors the contact with the skid plate and increases safety and convenience during the coupling process.
- A remote display processes the signal and displays it in the driver's cab
- The additional locking mechanism checks and increases safety are even in poor visibility thanks to visual and acoustic display
- The sensors are located in protected zones on non-moving parts
- The Sensor coupling provides electromagnetic compatibility according to highest standards
- All components offer the usual JOST safety and reliability

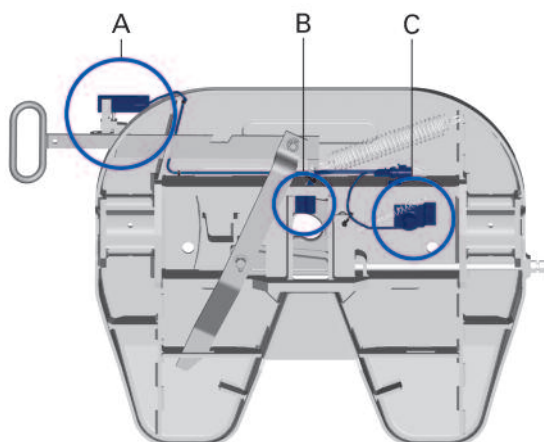
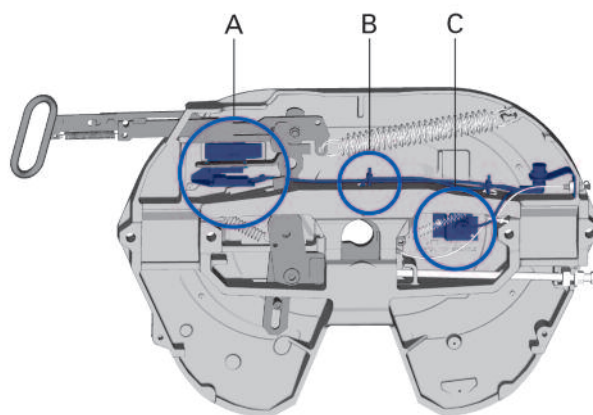


Plate coupling



Cast coupling

- A = sensor for connection status  
 B = sensor for king pin  
 C = sensor for coupling height

**Selection table / Versions available****Plate coupling**

Order No.	Bearing	H (mm)	Weight (kg)	WA	ZL
JSK36DV2070AA	DIN	150	125	M	K
JSK36DV2046AA	DIN	150	126	M	J
JSK36DV3170AA	DIN	172	127	M	K
JSK36DV3146AA	DIN	172	128	M	J

Order No.	Bearing	H (mm)	Weight (kg)	WA	ZL
JSK36DV3870AA	DIN	185	129	M	K
JSK36DV3846AA	DIN	185	130	M	J
JSK36DV4770AA	DIN	205	134	M	K
JSK36DV4746AA	DIN	205	135	M	J

**Selection table / Versions available****Cast coupling**

Order No.	Bearing	H (mm)	Weight (kg)	WA	ZL
JSK42K02070AA	DIN	150	130	Z	
JSK42K03870AA	DIN	185	128	Z	
JSK42K02046AA	DIN	150	130	Z	J
JSK42K03846AA	DIN	185	128	Z	J
JSK42K02073AA	DIN	150	130	W	
JSK42K03873AA	DIN	185	128	W	
JSK42K02072AA	DIN	150	130	W	J
JSK42K03872AA	DIN	185	128	W	J

Order No.	Bearing	H (mm)	Weight (kg)	WA	ZL
JSK42K05770AA	DIN	225	133	Z	
JSK42K05746AA	DIN	225	133	Z	J
JSK42K05773AA	DIN	225	132	W	
JSK42K05772AA	DIN	225	132	W	J
JSK42K07070AA	DIN	250	138	Z	
JSK42K07046AA	DIN	250	137	Z	J
JSK42K07073AA	DIN	250	136	W	
JSK42K07072AA	DIN	250	137	W	J

*Couplings – other models are available on request*

**Remote display**

Order No.	Description	Weight (kg)
SKE501620200	3-sensor display, 24 V	0,075
SKE501620500	3-sensor display, 12 V	0,075

**Cable set**

Order No.	Description	Weight (kg)
SKE002110100	Standard	1,85
SKE002110200	ADR (for hazardous materials transporter)	1,85

**Explanations:**

WA / Maintenance

W = Low-maintenance version

M = Manual lubrication

Z = Prepared for central lubrication

ZL / Handle length

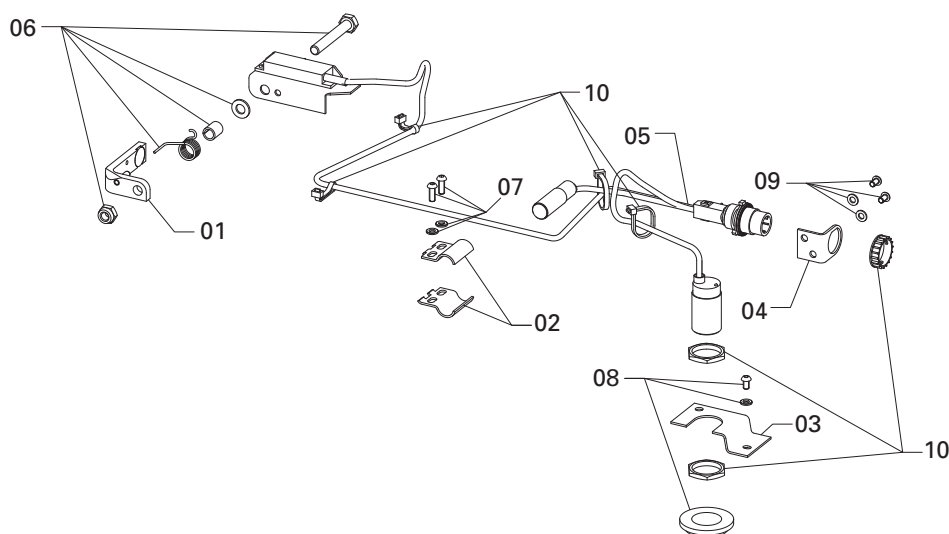
J = Long handle

K = Short handle

Also available for additional models in the  
**JSK 36 • JSK 37 • JSK42** series

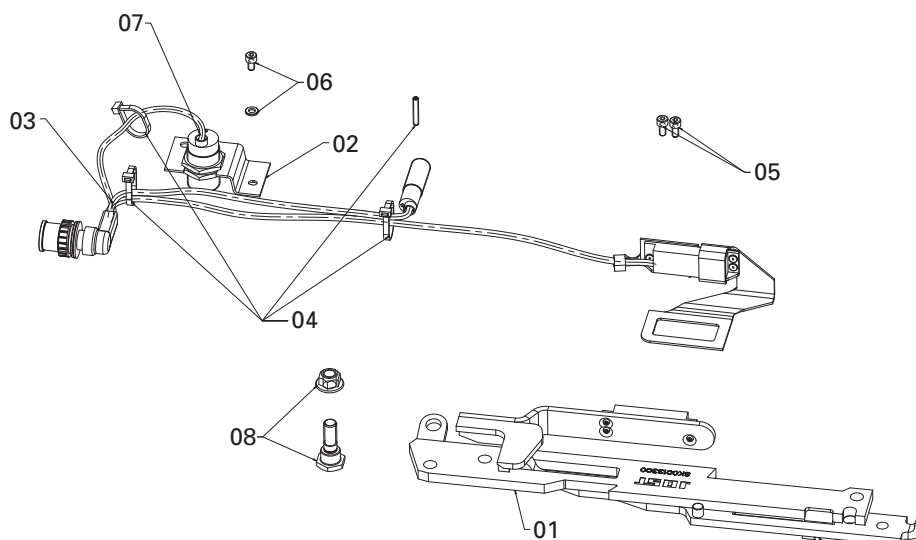
# Sensor coupling

## Spare parts JSK 36



Item	Description	Remark	Order No.	per Sensor coupling
01	Latch plate with locking magnet	with 06	SK 2905104	1
02	Latch plate with locking magnet	with 07	SK 2905130	1
03	Retaining plate for trailer sensor	with 08	SKE 003220100	1
04	Retaining plate for trailer sensor	with 09	SKE 004650000	1
05	3-sensor cable harness with retaining plate for locking sensor	with 06, 07, 08, 09, 10	SKE 002040400	1
	Sensor display with 3 sensors - 24V	oZ	SKE 501620200	1
	Sensor display with 3 sensors - 12V	oZ	SKE 501620500	1
	Extension cable, standard quality	oZ	SKE 002110100	1
	Extension cable, ADR quality	oZ	SKE 002110200	1

## Spare parts JSK 42



Item	Description	Remark	Order No.	per Sensor coupling
01	Sensor locking bar kit, with magnet	with 08	SKE 001360300	1
02	Trailer sensor retaining plate with mounting parts	with 06	SKE 003220100	1
03	3-sensor cable harness with mounted retaining plate JSK 42	with 04, 05, 06, 07	SKE 002040100	1
03	2-sensor cable harness with mounted retaining plate JSK 42	with 04, 05	SKE 002040300	1
	Sensor display with 2 sensors - 24V	oZ	SKE 501620100	1
	Sensor display with 3 sensors - 24V	oZ	SKE 501620200	1
	Sensor display with 2 sensors - 12V	oZ	SKE 501620300	1
	Sensor display with 2 sensors - 24V, SCANIA France	oZ, 2 m cable	SKE 501620400	1
	Sensor display with 3 sensors - 12V	oZ	SKE 501620500	1
	Extension cable, standard quality	oZ	SKE 002110100	1
	Extension cable, ADR quality	oZ	SKE 002110200	1

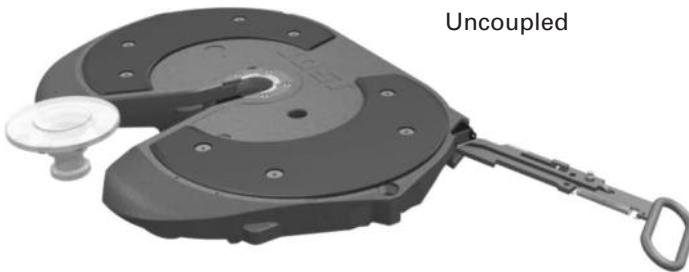
# Flashtronic

## Safe locking check with sensor

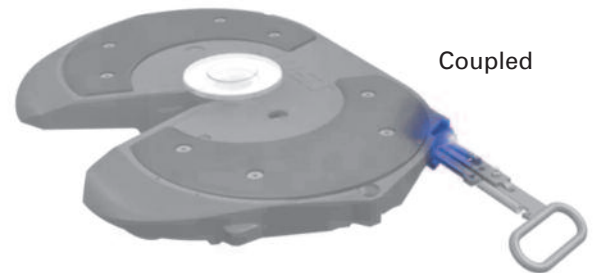
- Optical locking display, directly on the fifth wheel coupling
- Simple coupling control – through a blinking LED display – even under low visibility
- 3 year life span
- Simple installation and replacement of the Flashtronic, no wiring necessary
- Designed for installation on JSK 42
- Equipment approval according to 72/245/EEC (2005/83/EC Amendment) and dangerous goods guidelines
- Fifth wheel coupling with Flashtronic approved according to 94/20/EC



### Flashtronic Functions



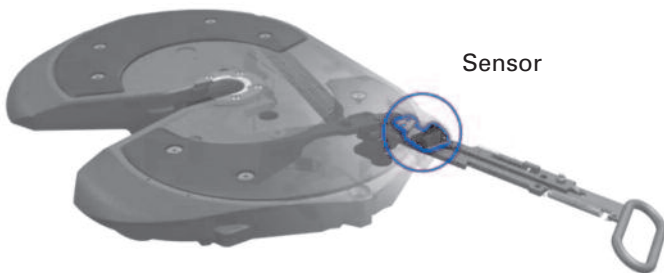
Uncoupled



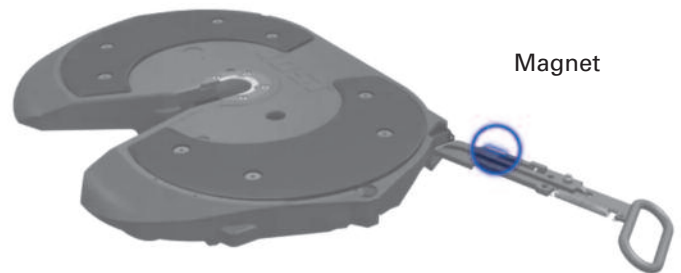
Coupled

- The LED light is off if the fifth wheel coupling is uncoupled.
- The Flashtronic indicates coupling lock of the fifth wheel coupling immediately after coupling through a yellow LED light.
- The integrated LED light blinks once each second.
- After 10 minutes, the frequency of the blinking is reduced and the LED blinks only once every 5 seconds.

### Flashtronic Components



Sensor



Magnet

- Sensor element in the handle area of the fifth wheel coupling
- Special handle with the actuating magnet for the sensor

- Retrofittable on the JSK 42 (from October 2004/Serial Number 14B040xxxx)

### Spare parts

Order No.	Description
SKE004350000	Spare part kit battery and LED
SKE001360600	Flashtronic handle
SKE004410000	Spare part kit mounting

### Retrofit kit

Order No.	Description
SKE004350100	Retrofit kit

Also available for additional models in the **JSK42** series

## LubeTronic 1Point

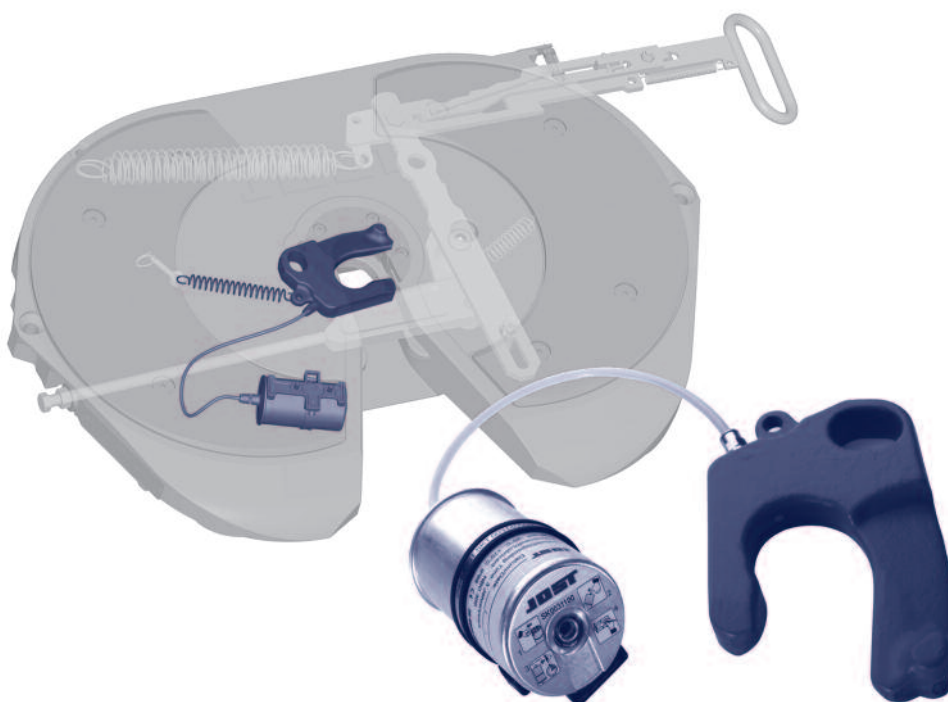
### Lubrication system for low-maintenance fifth wheel couplings

#### Always lubricates safely

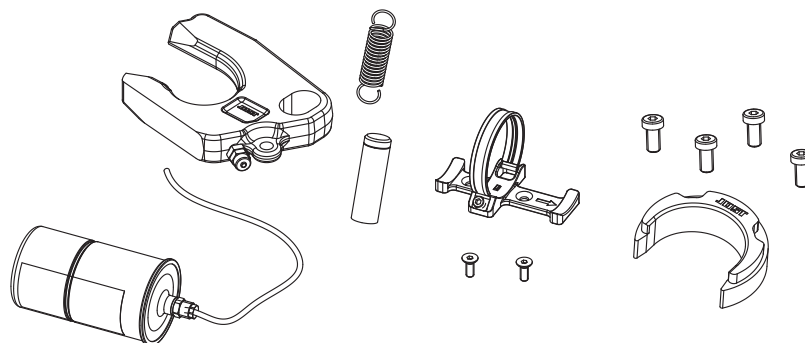
- The special coating on the lock jaw makes the surface extremely durable. This allows the lock jaw to be operated with a minimal amount of lubricant.
- Outstanding lubrication qualities thanks to novel lubricants from high-performance grease and continuous lubrication
- Temperature range:  $-20^{\circ}\text{C}$  to  $+70^{\circ}\text{C}$
- Electronic dose dispensing reduces both costs and environmental impact
- Completely sealed and immersion tested (IP 68)

#### Simple Maintenance

- Easy to install
  - Electronic level control with display
  - 3 year life span
  - Manual lubrication is not necessary
  - Can be used to upgrade all low-maintenance couplings
  - Very light and compact
  - Anti-vibration mounting
  - Not recommended for usage in the construction industry.
- Range of application: long distance transport, tankers



#### Repair and retrofit kits



Order No.	Description	Remark
SKE 004070000	Repair kit, compl.	with cartridge

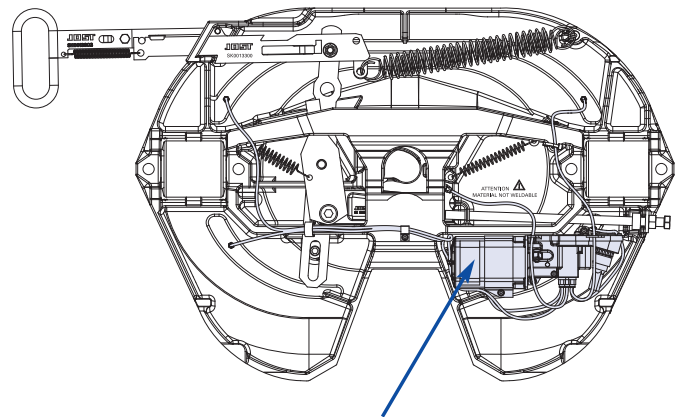
Also available for additional models in the  
**JSK 37 • JSK42** series

## LubeTronic 5Point

### Fifth wheel coupling with central lubrication system

#### Technical Specification

- LubeTronic 5Point is a central lubrication system for fifth wheel couplings
- The constantly emitted grease provides reliable lubrication for the fifth wheel coupling plate and the lock jaw.
- Lubricant dispensing intervals can be set for long distance transport and site traffic.
- environmentally friendly and low-consumption due to automatic dosing
- Sufficient lubricant for about 1 year
- Electronic fill level control with an LED display
- Refillable using lubricating nipples



LubeTronic 5Point

Only JOST lubricant refill should be used to ensure safe operation in all operating conditions!

#### Selection table / Versions available

Order No.	Imposed load U (t)	D value (kN)	Weight (kg)	Mounting height (mm)	Customer hole pattern	Approval (EC)	ZL
JSK 42 K0 20 J5 AA	20	152	130	150	DIN	e1 00-1245	K
JSK 42 K0 20 F9 AA	20	152	130	150	DIN	e1 00-1245	J
JSK 42 K0 38 J5 AA	20	152	128	185	DIN	e1 00-1245	K
JSK 42 K0 38 F9 AA	20	152	128	185	DIN	e1 00-1245	J
JSK 42 K0 57 J5 AA	20	152	133	225	DIN	e1 00-1245	K
JSK 42 K0 57 F9 AA	20	152	133	225	DIN	e1 00-1245	J
JSK 42 K0 70 J5 AA	20	152	138	250	DIN	e1 00-1245	K
JSK 42 K0 70 F9 AA	20	152	138	250	DIN	e1 00-1245	J
JSK 42 K2 20 J5 AA	20	152	136	150	MAN	e1 00-1245	K

#### Explanations:

ZL / Handle length

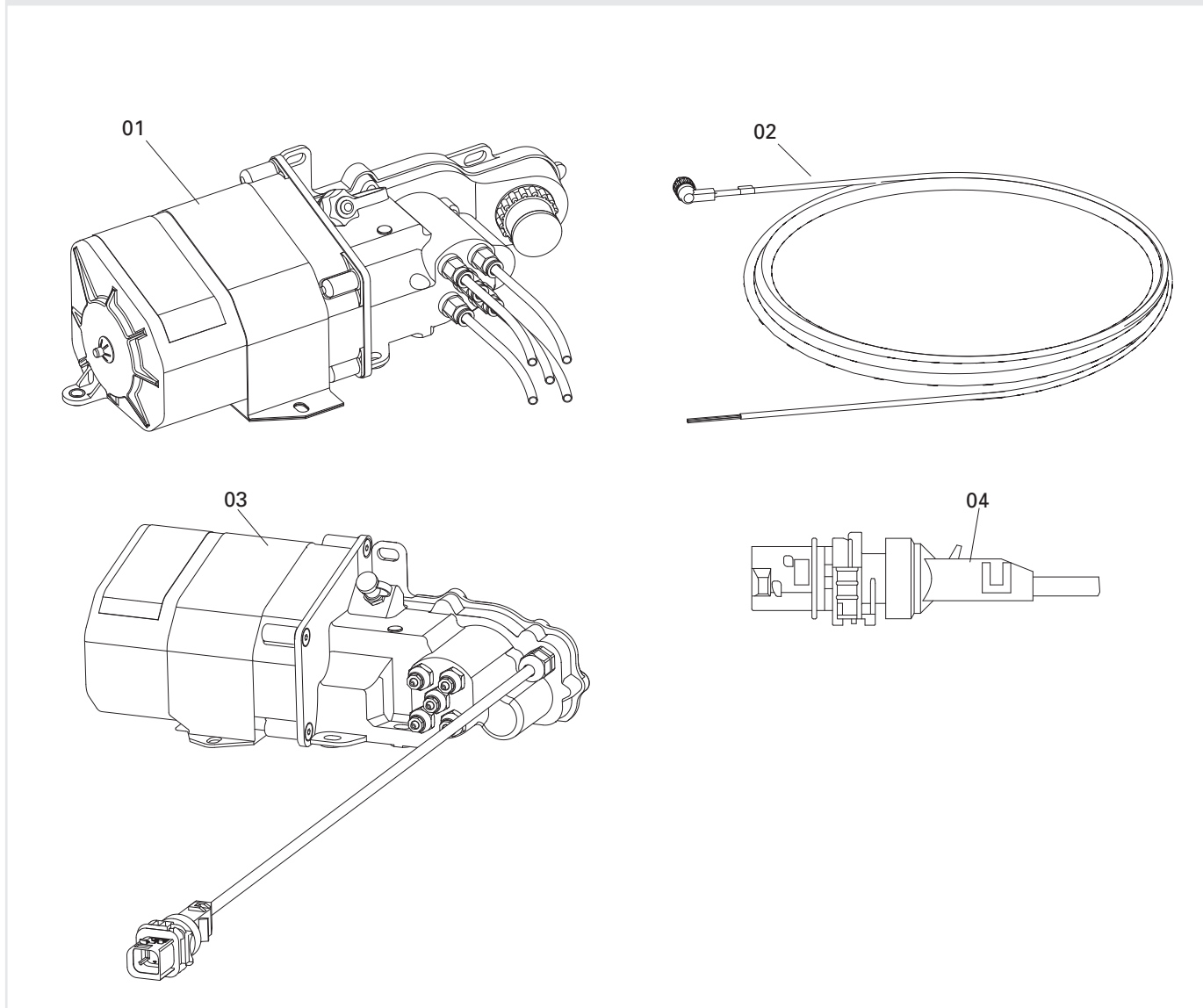
J = Long handle

K = Short handle

Also available for additional models in the  
**JSK 37 • JSK 38 • JSK42 • JSK DH** series

# LubeTronic 5Point

## Spare parts



Item	Description	Remark	Order No.	per JSK
01	LubeTronic 5Point	Long connection cable	SKE 004080000	1
02	Connection cable	Long connection cable	SKE 005680000	1
03	LubeTronic 5Point	Short connection cable	SKE 006250200	1
04	Connection cable	Short connection cable	SKE 005680100	1
	Lubricant refill		SKE 005670000	1
	Fett für Erstbefettung		SKE 006480000	1

*LubeTronic 5Point spare parts are not suitable for retrofitting.*