



## 6 2" and 3 1/2" king pins

The king pin is a component of the coupling between the semi-trailer and the tractor unit.

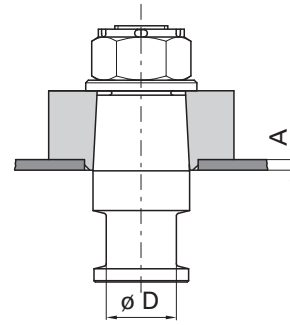
Different designs make it possible to install king pins onto a trailer quite easily. JOST king pins satisfy the most stringent safety requirements. They are produced from high-quality, coated, forged blanks which are tested for the complete absence of cracks. Exchanging or converting our king pins is both quick and easy.

The king pins can be replaced or converted quickly and easily.

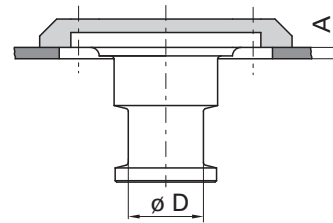
National regulations (in Germany §§19, 20, 21 of the "StVZO" Motor Vehicle Safety Standards) and JOST mounting and operating instructions must be observed for the installation, conversion and replacement of king pins.

For safety reasons, we recommend only using the screws once.

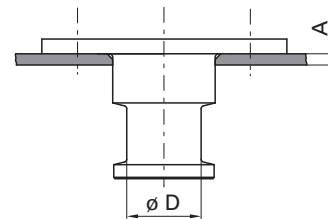
### JOST king pin designs



Pins for retention plates with cone-shaped locating hole (flange).



Pins for dish-shaped retention plates (plate). The pin is bolted to the retention plate and is easy to replace from underneath. 2" and 3 1/2" pins can be interchanged on some types.



Pins without a retention plate. The pin is bolted to the top plate.

All the designs satisfy the requirements of the currently valid standards:

2" king pins ( $\text{ø } D = 2''$ ): dimensions as per Directive 94/20/EC – Class H50, DIN 74080 and ISO 337.

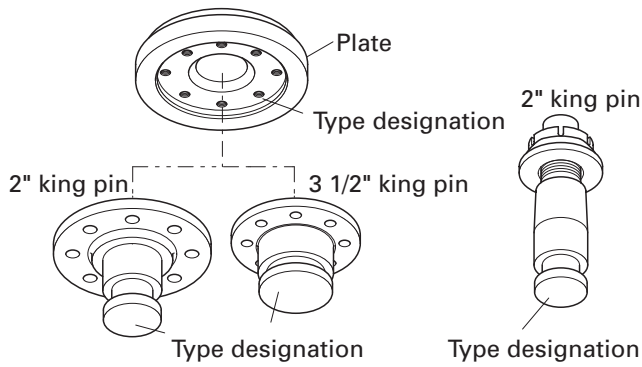
3 1/2" king pins ( $\text{ø } D = 3 \frac{1}{2}''$ ): dimensions as per DIN 74083 and ISO 4086

The retention plate is welded to the skid plate. The relevant permitted load (D value) depends on the type of king pin and the skid plate thickness (A) in use and its bracing. Therefore, JOST installation instructions must be complied with. (Please also see our instructions for mounting and operation.)

**Marking**

The respective type designation is stamped into the pin and the retention plate. The type designation must match on both components. If several type designations are stamped into

the retention plate, the pin may be changed for the type designation stamped into the retention plate. Example: switching from 2" to 3 1/2" pins. Legal regulations must be observed.



**Type key**

KZ	08	08
	10	10
	11	12
	13	16
	14	
King pins	15	
Series	20	
Skid plate thickness A		
08	A = 8 mm	
10	A = 10 mm	
12	A = 12 mm	
16	A = 16 mm	

**Product overview**

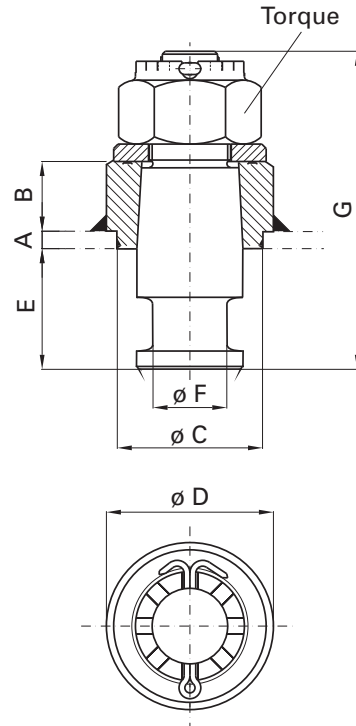
2" king pins for use with 2" fifth wheel couplings as per Directive 94/20/EC, ECE R55 as well as DIN 74081.  
 3 1/2" king pins for use with 3 1/2" fifth wheel couplings as per DIN 74084 and ISO 3842.

All king pins are suitable for use in self-steering axle systems.



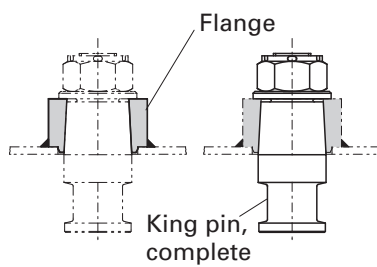
Design	D value (kN)	King pin (D)	Series
	152	2"	KZ 1108-1112
	260	3 1/2"	KZ 1116
	152	2"	KZ 2816
	162	2"	KZ 1008-1012
	170	2"	KZ 1516
	162	3 1/2"	KZ 1410-1412
	320	3 1/2"	KZ 1016
	170	3 1/2"	KZ 1416
	105	2"	KZ 1312

## KZ 1108 - 1116



### Selection table / Versions available

Order No. King pins, complete	D value (kN)	A (mm)	B (mm)	C (mm)	D (mm)	E (mm)	F (mm)	G (mm)	Approval (EC)	Torque (Nm)
KZ 1108	152	8	52	$\varnothing 100$	$\varnothing 115$	84	2"	219	e1 00-0146	1200
KZ 1110	152	10	50	$\varnothing 115$	$\varnothing 115$	84	2"	219	e1 00-0146	1200
KZ 1112	152	12	48	$\varnothing 100$	$\varnothing 115$	84	2"	219	e1 00-0146	1200
KZ 1116	260	16	80	$\varnothing 140$	$\varnothing 160$	74	3 1/2"	228	e1 00-0151	1500

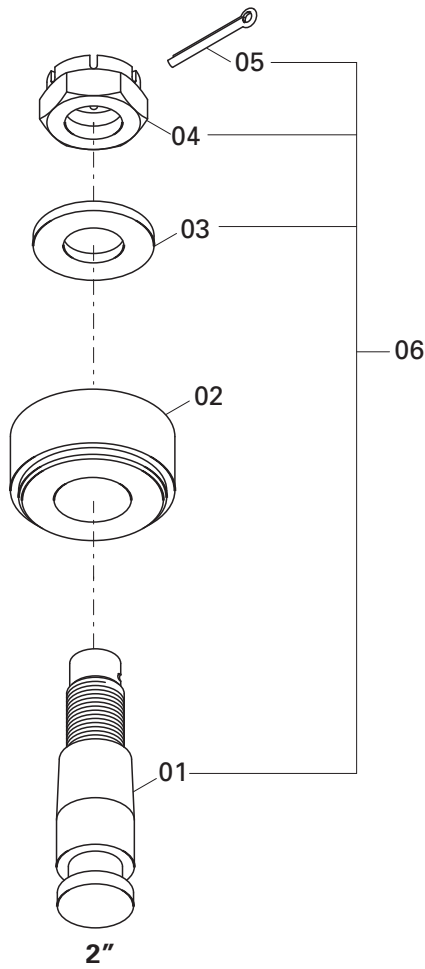


### Delivery includes

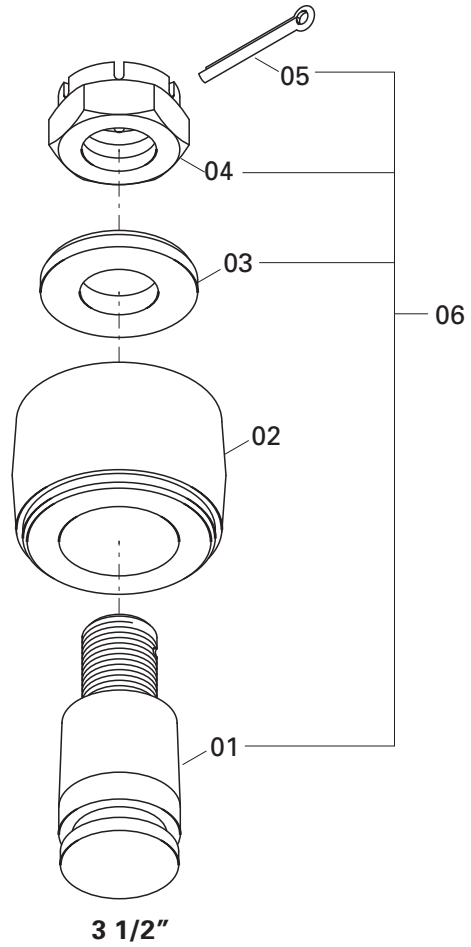
- Pin complete / flange

# KZ 1108 - 1120

## Spare parts



**KZ 1108-1112**



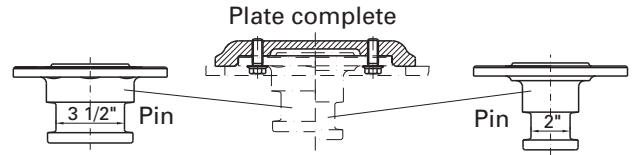
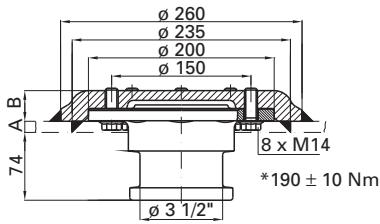
**KZ 1116-1120**

Item	Description	Remark	Order No.	per King pin
01	Pin	for KZ 1120	KZ 1120-01	1
01	Pin	for KZ 1116	KZ 1116-01	1
01	Pin	for KZ 1108, KZ 1110, KZ 1112	KZ 1112-01	1
02	Mounting flange	for KZ 1112	KZ 1112-02	1
02	Mounting flange	for KZ 1110	KZ 1110-02	1
02	Mounting flange	for KZ 1116	KZ 1116-02	1
02	Mounting flange	for KZ 1108	KZ 1108-02	1
02	Mounting flange	for KZ 1120	KZ 1120-02	1
03	Washer	for KZ 1116, KZ 1120	KZE 1116-03	1
03	Washer	for KZ 1108, KZ 1110, KZ 1112	KZE 1112-03	1
04	Castle nut	for KZ 1108, KZ 1110, KZ 1112	KZE 1112-04	1
04	Castle nut	for KZ 1116, KZ 1120	KZE 1116-04	1
05	Split pin	for KZ 1116, KZ 1120	KZE 1116-05	1
05	Split pin	for KZ 1108, KZ 1110, KZ 1112	KZE 1112-05	1
06	King pin	compl. for KZ 1108, KZ 1110, KZ 1112	KZ 1112-06	1
06	King pin	compl. for KZ 1120	KZ 1120-06	1
06	King pin	compl. for KZ 1116	KZ 1116-06	1



## KZ 1008 - 1012, KZ 1410 - 1412

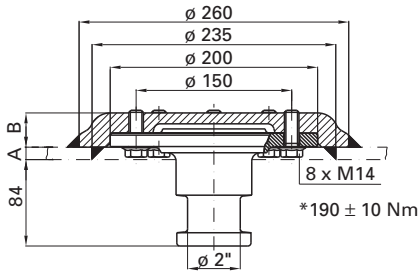
### KZ 1412



KZ 1412-01

KZ 1012-01

### KZ 1012



\* Starting torque

### Selection table / Versions available

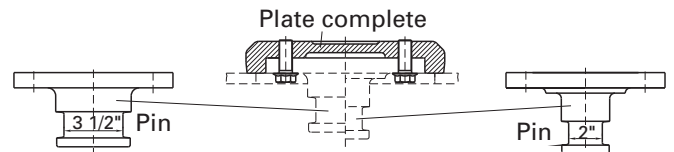
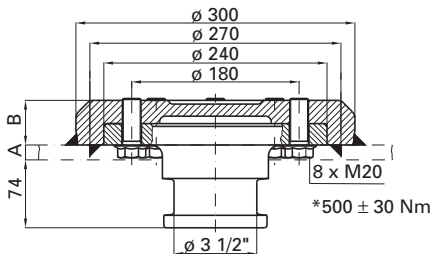
Order No. King pins, complete	D value (kN)	A (mm)	B (mm)	Approval (EC)
KZ 1008	162.0	8	37	e1 00-0145
KZ 1010	162.0	10	34	e1 00-0145
KZ 1012	162.0	12	33	e1 00-0145
KZ 1410	162.0	10	34	e1 00-0147
KZ 1412	162.0	12	33	e1 00-0147

### Delivery includes

- Pin / plate, complete

## KZ 1016, 1516

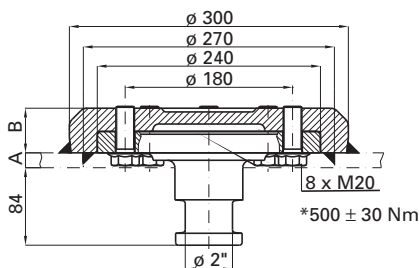
### KZ 1016



KZ 1016-01

KZ 1516-01

### KZ 1516



\* Starting torque

### Selection table / Versions available

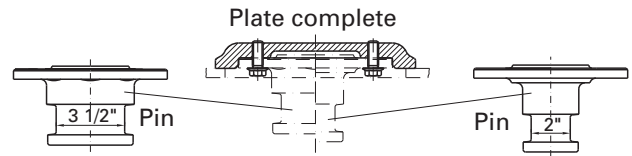
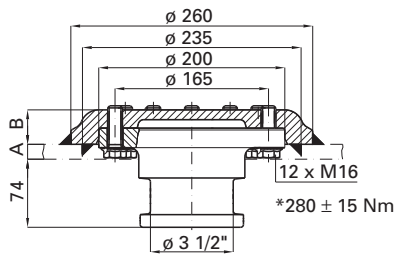
Order No. King pins, complete	D value (kN)	A (mm)	B (mm)	Approval (EC)
KZ 1516	170.0	16	48	e1 00-0148
KZ 1016	320.0	16	48	e1 00-0150

### Delivery includes

- Pin / plate, complete

# KZ 1416, 2816

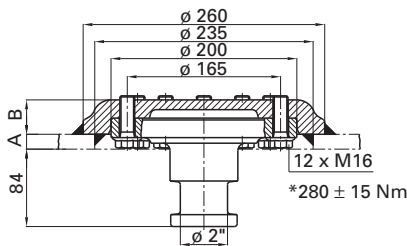
## KZ 1416



KZ 1416-01

KZ 2816-01

## KZ 2816



\* Starting torque

### Selection table / Versions available

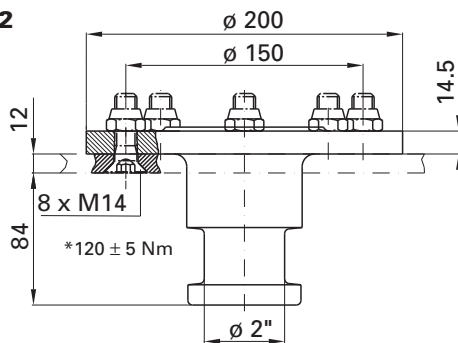
Order No. King pins, complete	D value (kN)	A (mm)	B (mm)	Approval (EC)
KZ 2816	152.0	16	37	-
KZ 1416	170.0	16	37	e1 00-1572

### Delivery includes

- Pin / plate, complete

# KZ 1312

## KZ 1312



### Selection table / Versions available

Order No. King pins	D value (kN)	Approval (D)
KZ 1312	105.0	F 3458

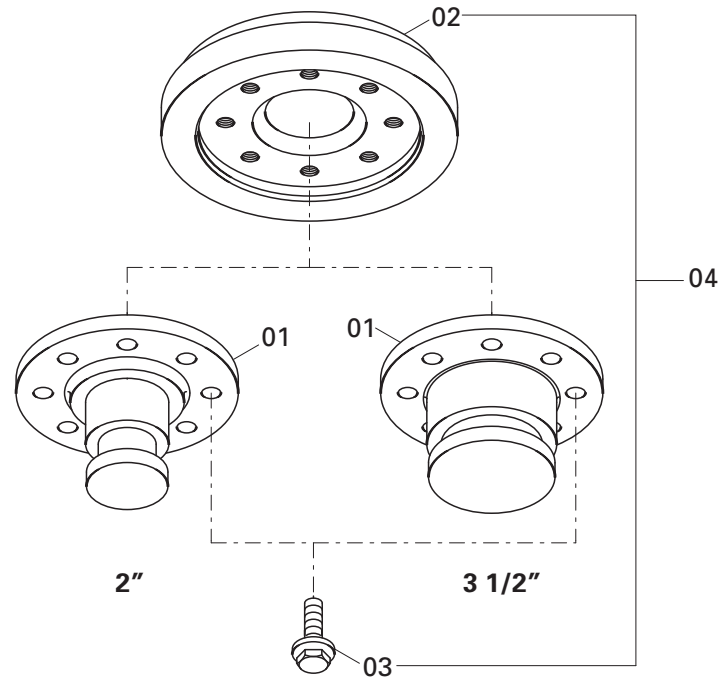
Mounting kit = KZE 1312-05, consisting of 8 screws with self-locking nuts (please order separately).

\* Starting torque



## KZ 10..., 14..., 15..., 28..

### Spare parts



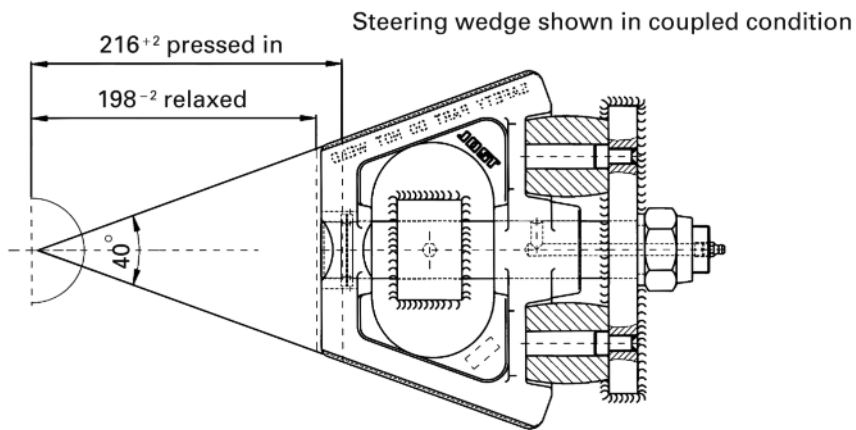
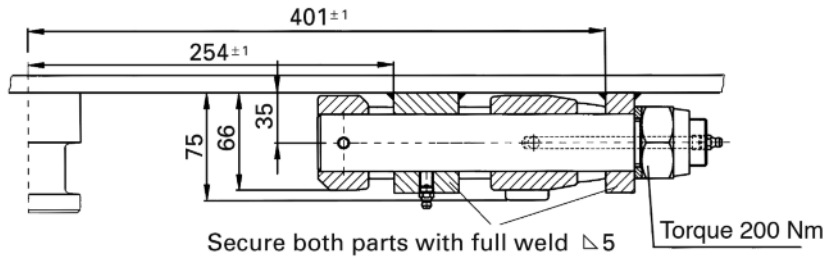
KZ 10..., KZ 2816, KZ 1516

Item	Description	Remark	Order No.	per King pin
01	Pin	for KZ 1416	KZ 1416-01	1
01	Pin	for KZ 1016	KZ 1016-01	1
01	Pin	for KZ 2816	KZ 2816-01	1
01	Pin	for KZ 1516	KZ 1516-01	1
01	Pin	for KZ 1008, KZ 1010, KZ 1012	KZ 1012-01	1
01	Pin	for KZ 1410, KZ 1412	KZ 1412-01	1
02	Retention plate	for KZ 2816, KZ 1416	KZ 1416-02	1
02	Retention plate	for KZ 1012, KZ 1412	KZ 1012-02	1
02	Retention plate	for KZ 1010, KZ 1410	KZ 1010-02	1
02	Retention plate	for KZ 1008	KZ 1008-02	1
02	Retention plate	for KZ 1516, KZ 1016	KZ 1016-02	1
03	Bolt	for KZ 1516, KZ 1016	KZE 1016-06	8
03	Bolt	for KZ 2816, KZ 1416	KZE 1416-03	12
03	Bolt	for KZ 1008, KZ 1010, KZ 1012, KZ 1410, KZ 1412	KZE 1012-03	8
04	Retention plate	with 03 for KZ 1008	KZ 1008-04	1
04	Retention plate	with 03 for KZ 1010, KZ 1410	KZ 1010-04	1
04	Retention plate	with 03 for KZ 1012, KZ 1412	KZ 1012-04	1
04	Retention plate	with 03 for KZ 2816, KZ 1416	KZ 1416-04	1
04	Retention plate	with 03 for KZ 1516, KZ 1016	KZ 1016-04	1
05	Bolt kit	with 03 für KZ 1008, KZ 1010, KZ 1012, KZ 1410, KZ 1412	KZ 1012-006	1

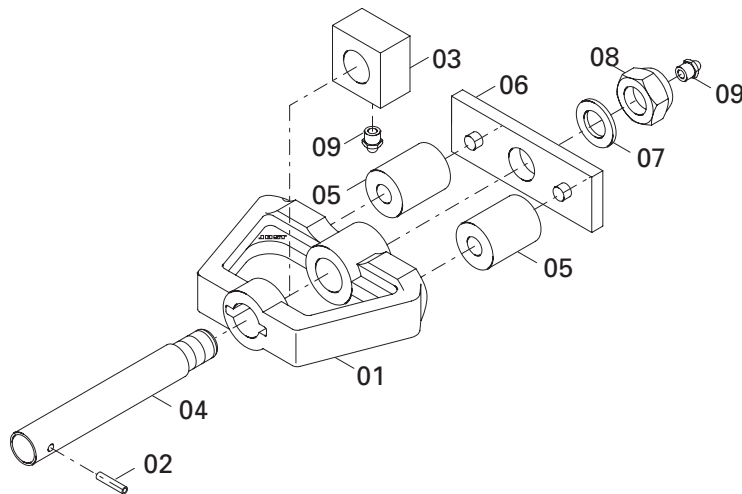
# Accessories

## Spring-loaded steering wedge SK 2122-40

The steering wedge for forced steering semi-trailers complies with DIN 74085. It is designed for use in 2" and 3 1/2" fifth wheel coupling plates as per DIN 74081 or 74084. The steering wedge meets the requirements for piggy back transport.



### Spare parts



Item	Description	Remark	Order No.	per steering wedge	Item	Description	Remark	Order No.	per steering wedge
01	Steering wedge		SK 2122-41	1	06	Plate		SK 2122-44	1
02	Clamping pin		SK 2122-46	1	07	Washer		SK 2122-48	1
03	Block		SK 2122-42	1	08	Lock nut		SK 2122-49	1
04	Bar		SK 2122-43	1	09	Taper grease nipple		SK 2121-02	2
05	Rubber suspension		SK 2122-47	2					



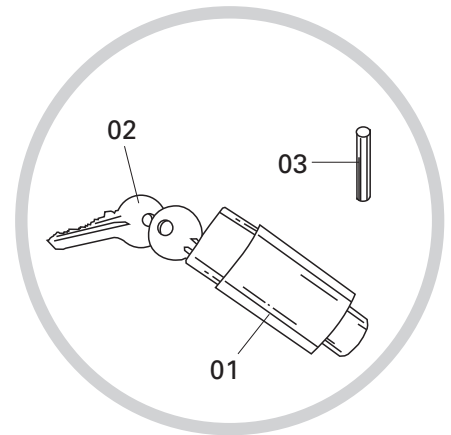
## Accessories

### King Pin Lock for semi-trailer

#### DS 2000

#### DS 2000 G\*

Low-weight, handy, safe. For all 2" king pins. Completely protects not only the 2" neck, but all mounting bolts. Corrosion-resistant. Cylinder lock of high quality. Locking with normal or master keys possible.



Item	Order No.
01	DS 1000-03
02	DS 1000-08
03	DS 1000-12

When reordering keys or cylinder locks for locking systems, please state the code number or send in the key.

\* G = cylinders where keys are alike